

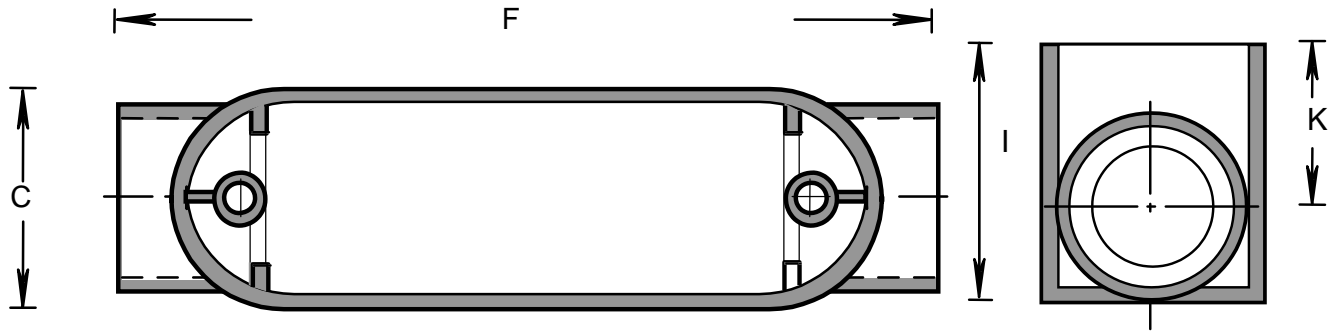
RIGID PVC CONDUIT FITTINGS - KRALOY

ISSUE DATE:
DATE D'EMISSION: 2013 07 08

TYPE "C" ACCESS FITTINGS

SUPERCEDES:
REPLACE: 2012 11 02

4



| PRODUCT CODE | PART NUMBER | NOMINAL SIZE | | C | | F | | I | | K | |
|--------------|-------------|--------------|------|-------|------|--------|------|-------|------|-------|------|
| | | (in) | (mm) | (in) | (mm) | (in) | (mm) | (in) | (mm) | (in) | (mm) |
| 078116 | C05 | 1/2 | 16 | 1.312 | 33 | 4.843 | 123 | 1.500 | 38 | 0.883 | 22 |
| 078117 | C07 | 3/4 | 21 | 1.500 | 38 | 5.640 | 143 | 1.625 | 41 | 0.920 | 23 |
| 078118 | C10 | 1 | 27 | 1.750 | 44 | 6.743 | 171 | 2.010 | 51 | 1.188 | 30 |
| 078119 | C12 | 1 1/4 | 35 | 2.450 | 62 | 8.409 | 214 | 2.510 | 64 | 1.359 | 35 |
| 078120 | C15 | 1 1/2 | 41 | 2.468 | 63 | 8.839 | 225 | 2.520 | 64 | 1.360 | 35 |
| 078121 | C20 | 2 | 53 | 3.190 | 81 | 10.880 | 276 | 4.535 | 115 | 1.970 | 50 |
| 078122 | C25 | 2 1/2 | 63 | 4.500 | 114 | 14.600 | 371 | 6.240 | 158 | 2.610 | 66 |
| 078123 | C30 | 3 | 78 | 4.500 | 114 | 14.600 | 371 | 6.240 | 158 | 2.610 | 66 |
| 078124 | C35 | 3 1/2 | 91 | 5.540 | 140 | 17.070 | 434 | 7.500 | 190 | 2.975 | 75 |
| 078125 | C40 | 4 | 103 | 5.540 | 140 | 17.070 | 434 | 7.500 | 190 | 2.975 | 75 |
| 178148* | C10 | 1 | 27 | 1.750 | 44 | 6.743 | 171 | 2.010 | 51 | 1.188 | 30 |

| PRODUCT CODE | PART NUMBER | NOMINAL SIZE | | FILL VOLUME | | INSERT CODE | SCREW CODE | REDUCER CODE | COVER CODE | GASKET CODE |
|--------------|-------------|--------------|------|-------------|---------|-------------|------------|--------------|------------|-------------|
| | | (in) | (mm) | (cu.in) | (cu.cm) | | | | | |
| 078116 | C05 | 1/2 | 16 | 4.1 | 67.2 | | 072563 | | 093106 | 097950 |
| 078117 | C07 | 3/4 | 21 | 7.5 | 123.0 | | 072564 | | 093107 | 097951 |
| 078118 | C10 | 1 | 27 | 13.0 | 213.2 | | 072564 | | 093108 | 097952 |
| 078119 | C12 | 1 1/4 | 35 | 26.5 | 434.6 | | 072564 | | 093109 | 097953 |
| 078120 | C15 | 1 1/2 | 41 | 38.9 | 638.0 | | 072564 | | 093110 | 097954 |
| 078121 | C20 | 2 | 53 | 70.8 | 1161.2 | | 172009 | | 097966 | 097955 |
| 078122 | C25 | 2 1/2 | 63 | 178.0 | 2919.2 | 072419 | 072420 | 097558 | 097957 | 097961 |
| 078123 | C30 | 3 | 78 | 178.0 | 2919.2 | 072419 | 072420 | | 097957 | 097961 |
| 078124 | C35 | 3 1/2 | 91 | 338.4 | 5549.8 | 072419 | 072420 | 097991 | 097959 | 097963 |
| 078125 | C40 | 4 | 103 | 338.4 | 5549.8 | 072419 | 072420 | | 097959 | 097963 |
| 178148* | C10 | 1 | 27 | 13.0 | 213.2 | | 072564 | | 093108 | 072735 |

* Bulk Packed for Pacific Circle

RIGID PVC CONDUIT FITTINGS - KRALOY

TYPE "C" ACCESS FITTINGS

ISSUE DATE:
DATE D'EMISSION: 2013 07 08

SUPERCEDES:
REPLACE: 2012 11 02

4

MAXIMUM WIRE FILL

| 1/2" + 3/4" + 1" (12 + 21 + 27) | | 1 1/4" (35) | 1 1/2" (41) | 2" (53) | 2 1/2" (63) | 3" (78) | 3 1/2" (91) | 4" (103) |
|--|----------|------------------------------|------------------------------|--------------------------|------------------------------|--------------------------|------------------------------|---------------------------|
| MAX. WIRE FILL #6 AWG CONDUCTORS OR SMALLER FOR1": PULLING COMPOUND REQUIRED FOR #4 AWG | U | 4.980" (126.5) | 6.060" (153.9) | 7.530" (191.3) | 10.200" (259.1) | 10.200" (259.1) | 10.200" (259.1) | 10.200" (259.1) |
| | M | #3 | #1 /0 | #2 /0 | #250 | #250 | #250 | #250 |
| | D | 5.375" (136.5) | 6.125" (155.6) | 8.125" (206.4) | 10.500" (266.7) | 10.441" (265.2) | 11.875" (301.6) | 11.875" (301.6) |

- U UL514 INVESTIGATION OF CONDUIT BODIES FOR THREE CONDUCTOR INSTALLATION WITH NO INVESTIGATION
- M MAXIMUM WIRE FILL MARKED ON CONDUIT BODY
- D DISTANCE BETWEEN HUBS ON CONDUIT BODY

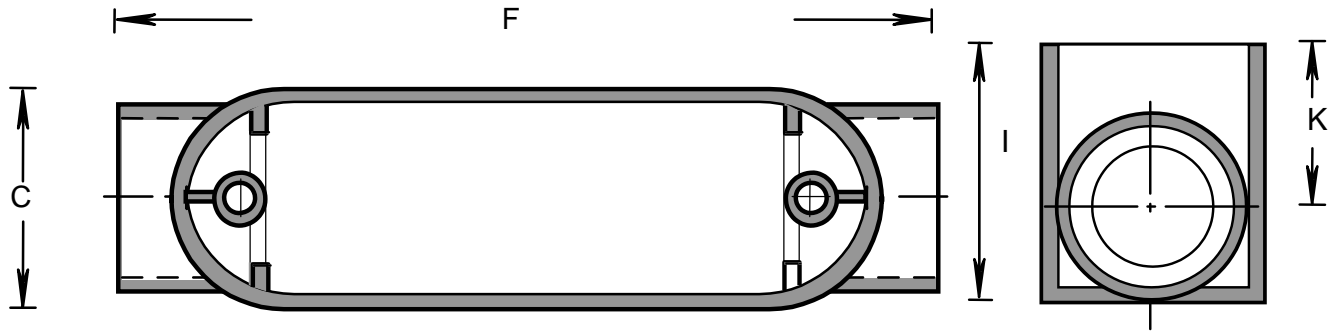
RIGID PVC CONDUIT FITTINGS - KRALOY

ISSUE DATE:
DATE D'EMISSION: 2013 07 08

TYPE "C" ACCESS FITTINGS

SUPERCEDES:
REPLACE: 2012 11 02

4



| PRODUCT CODE | PART NUMBER | NOMINAL SIZE | | C | | F | | I | | K | |
|--------------|-------------|--------------|------|-------|------|--------|------|-------|------|-------|------|
| | | (in) | (mm) | (in) | (mm) | (in) | (mm) | (in) | (mm) | (in) | (mm) |
| 078116 | C05 | 1/2 | 16 | 1.312 | 33 | 4.843 | 123 | 1.500 | 38 | 0.883 | 22 |
| 078117 | C07 | 3/4 | 21 | 1.500 | 38 | 5.640 | 143 | 1.625 | 41 | 0.920 | 23 |
| 078118 | C10 | 1 | 27 | 1.750 | 44 | 6.743 | 171 | 2.010 | 51 | 1.188 | 30 |
| 078119 | C12 | 1 1/4 | 35 | 2.450 | 62 | 8.409 | 214 | 2.510 | 64 | 1.359 | 35 |
| 078120 | C15 | 1 1/2 | 41 | 2.468 | 63 | 8.839 | 225 | 2.520 | 64 | 1.360 | 35 |
| 078121 | C20 | 2 | 53 | 3.190 | 81 | 10.880 | 276 | 4.535 | 115 | 1.970 | 50 |
| 078122 | C25 | 2 1/2 | 63 | 4.500 | 114 | 14.600 | 371 | 6.240 | 158 | 2.610 | 66 |
| 078123 | C30 | 3 | 78 | 4.500 | 114 | 14.600 | 371 | 6.240 | 158 | 2.610 | 66 |
| 078124 | C35 | 3 1/2 | 91 | 5.540 | 140 | 17.070 | 434 | 7.500 | 190 | 2.975 | 75 |
| 078125 | C40 | 4 | 103 | 5.540 | 140 | 17.070 | 434 | 7.500 | 190 | 2.975 | 75 |
| 178148* | C10 | 1 | 27 | 1.750 | 44 | 6.743 | 171 | 2.010 | 51 | 1.188 | 30 |

| PRODUCT CODE | PART NUMBER | NOMINAL SIZE | | FILL VOLUME | | INSERT CODE | SCREW CODE | REDUCER CODE | COVER CODE | GASKET CODE |
|--------------|-------------|--------------|------|-------------|---------|-------------|------------|--------------|------------|-------------|
| | | (in) | (mm) | (cu.in) | (cu.cm) | | | | | |
| 078116 | C05 | 1/2 | 16 | 4.1 | 67.2 | | 072563 | | 093106 | 097950 |
| 078117 | C07 | 3/4 | 21 | 7.5 | 123.0 | | 072564 | | 093107 | 097951 |
| 078118 | C10 | 1 | 27 | 13.0 | 213.2 | | 072564 | | 093108 | 097952 |
| 078119 | C12 | 1 1/4 | 35 | 26.5 | 434.6 | | 072564 | | 093109 | 097953 |
| 078120 | C15 | 1 1/2 | 41 | 38.9 | 638.0 | | 072564 | | 093110 | 097954 |
| 078121 | C20 | 2 | 53 | 70.8 | 1161.2 | | 172009 | | 097966 | 097955 |
| 078122 | C25 | 2 1/2 | 63 | 178.0 | 2919.2 | 072419 | 072420 | 097558 | 097957 | 097961 |
| 078123 | C30 | 3 | 78 | 178.0 | 2919.2 | 072419 | 072420 | | 097957 | 097961 |
| 078124 | C35 | 3 1/2 | 91 | 338.4 | 5549.8 | 072419 | 072420 | 097991 | 097959 | 097963 |
| 078125 | C40 | 4 | 103 | 338.4 | 5549.8 | 072419 | 072420 | | 097959 | 097963 |
| 178148* | C10 | 1 | 27 | 13.0 | 213.2 | | 072564 | | 093108 | 072735 |

* Bulk Packed for Pacific Circle

RIGID PVC CONDUIT FITTINGS - KRALOY

TYPE "C" ACCESS FITTINGS

ISSUE DATE:
DATE D'EMISSION: 2013 07 08

SUPERCEDES:
REPLACE: 2012 11 02

4

MAXIMUM WIRE FILL

| 1/2" + 3/4" + 1" (12 + 21 + 27) | | 1 1/4" (35) | 1 1/2" (41) | 2" (53) | 2 1/2" (63) | 3" (78) | 3 1/2" (91) | 4" (103) |
|--|----------|------------------------------|------------------------------|--------------------------|------------------------------|--------------------------|------------------------------|---------------------------|
| MAX. WIRE FILL #6 AWG CONDUCTORS OR SMALLER FOR1": PULLING COMPOUND REQUIRED FOR #4 AWG | U | 4.980" (126.5) | 6.060" (153.9) | 7.530" (191.3) | 10.200" (259.1) | 10.200" (259.1) | 10.200" (259.1) | 10.200" (259.1) |
| | M | #3 | #1 /0 | #2 /0 | #250 | #250 | #250 | #250 |
| | D | 5.375" (136.5) | 6.125" (155.6) | 8.125" (206.4) | 10.500" (266.7) | 10.441" (265.2) | 11.875" (301.6) | 11.875" (301.6) |

- U UL514 INVESTIGATION OF CONDUIT BODIES FOR THREE CONDUCTOR INSTALLATION WITH NO INVESTIGATION
- M MAXIMUM WIRE FILL MARKED ON CONDUIT BODY
- D DISTANCE BETWEEN HUBS ON CONDUIT BODY

