

CSA, ULI

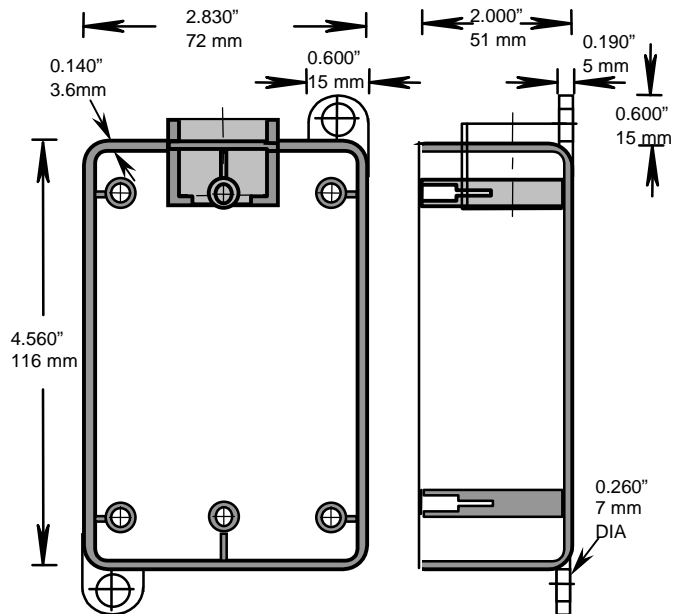
RIGID PVC CONDUIT FITTINGS - KRALOY

FSE SINGLE GANG BOXES

ISSUE DATE:
DATE D'EMISSION: 2004 01 15

SUPERCEDES:
REPLACE: 2003 11 15

4



PRODUCT CODE	PART NUMBER	VOLUME	
		(cubic in)	(cubic mm)
078229	FSE05	17.4	285.1
078230	FSE07	17.4	285.1
178062	FSE05	17.4	285.1
178063	FSE07	17.4	285.1

Filename: KRALOY-20.doc
Directory: \\Bersrvbdc\bergen\QC MANUAL
Template: C:\Documents and Settings\joelau\Application
Data\Microsoft\Templates\Normal.dot
Title: SOCKET DIMENSION
Subject:
Author: joe lau
Keywords:
Comments:
Creation Date: 1/2/2001 9:27 AM
Change Number: 9
Last Saved On: 1/19/2004 12:42 PM
Last Saved By: Joe Lau
Total Editing Time: 16 Minutes
Last Printed On: 8/8/2005 12:36 PM
As of Last Complete Printing
Number of Pages: 1
Number of Words: 29 (approx.)
Number of Characters: 167 (approx.)

CSA, ULI

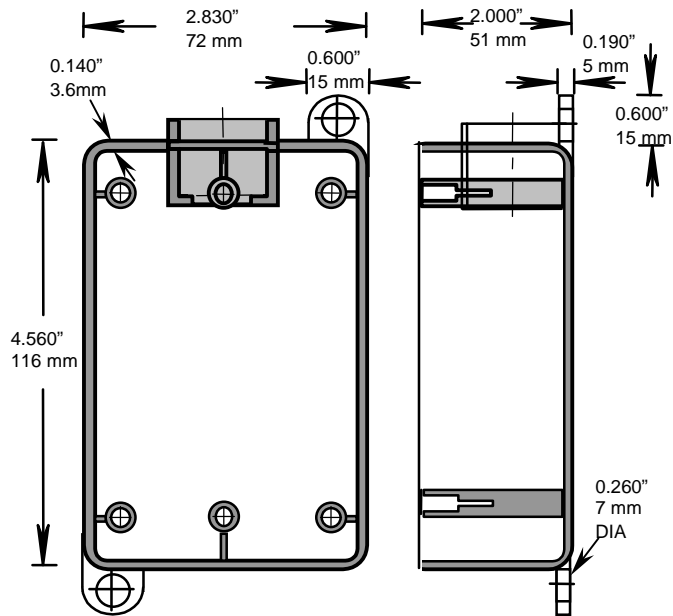
RIGID PVC CONDUIT FITTINGS - KRALOY

FSE SINGLE GANG BOXES

ISSUE DATE:
DATE D'EMISSION: 2004 01 15

SUPERCEDES:
REMPLECE: 2003 11 15

4



PRODUCT CODE	PART NUMBER	VOLUME	
		(cubic in)	(cubic mm)
078229	FSE05	17.4	285.1
078230	FSE07	17.4	285.1
178062	FSE05	17.4	285.1
178063	FSE07	17.4	285.1

Filename: KRALOY-20.doc
Directory: \\Bersrvbdc\bergen\QC MANUAL
Template: C:\Documents and Settings\joelau\Application
Data\Microsoft\Templates\Normal.dot
Title: SOCKET DIMENSION
Subject:
Author: joe lau
Keywords:
Comments:
Creation Date: 1/2/2001 9:27 AM
Change Number: 9
Last Saved On: 1/19/2004 12:42 PM
Last Saved By: Joe Lau
Total Editing Time: 16 Minutes
Last Printed On: 8/8/2005 12:36 PM
As of Last Complete Printing
Number of Pages: 1
Number of Words: 29 (approx.)
Number of Characters: 167 (approx.)