

CSA, ULI

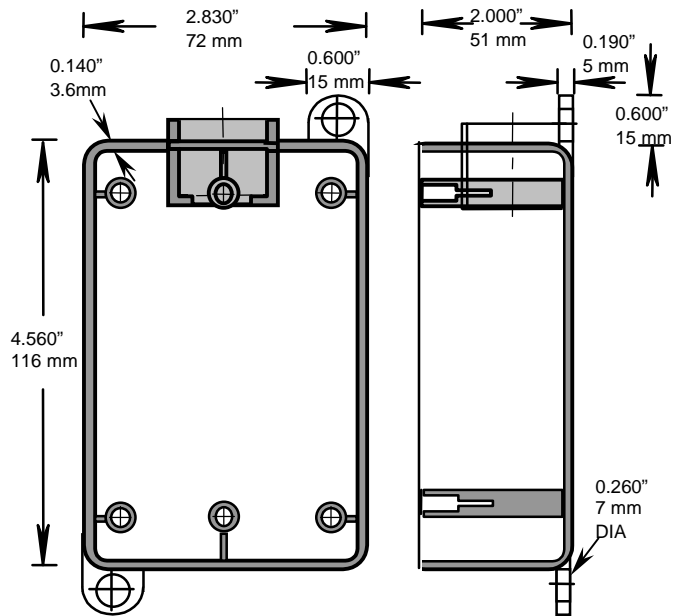
RIGID PVC CONDUIT FITTINGS - KRALOY

FSE SINGLE GANG BOXES

ISSUE DATE:  
DATE D'EMISSION: 2004 01 15

SUPERCEDES:  
REMPLECE: 2003 11 15

4



PRODUCT CODE	PART NUMBER	VOLUME	
		(cubic in)	(cubic mm)
078229	FSE05	17.4	285.1
078230	FSE07	17.4	285.1
178062	FSE05	17.4	285.1
178063	FSE07	17.4	285.1

Filename: KRALOY-20.doc  
Directory: \\Bersrvbdc\bergen\QC MANUAL  
Template: C:\Documents and Settings\joelau\Application  
Data\Microsoft\Templates\Normal.dot  
Title: SOCKET DIMENSION  
Subject:  
Author: joe lau  
Keywords:  
Comments:  
Creation Date: 1/2/2001 9:27 AM  
Change Number: 9  
Last Saved On: 1/19/2004 12:42 PM  
Last Saved By: Joe Lau  
Total Editing Time: 16 Minutes  
Last Printed On: 8/8/2005 12:36 PM  
As of Last Complete Printing  
Number of Pages: 1  
Number of Words: 29 (approx.)  
Number of Characters: 167 (approx.)

CSA, ULI

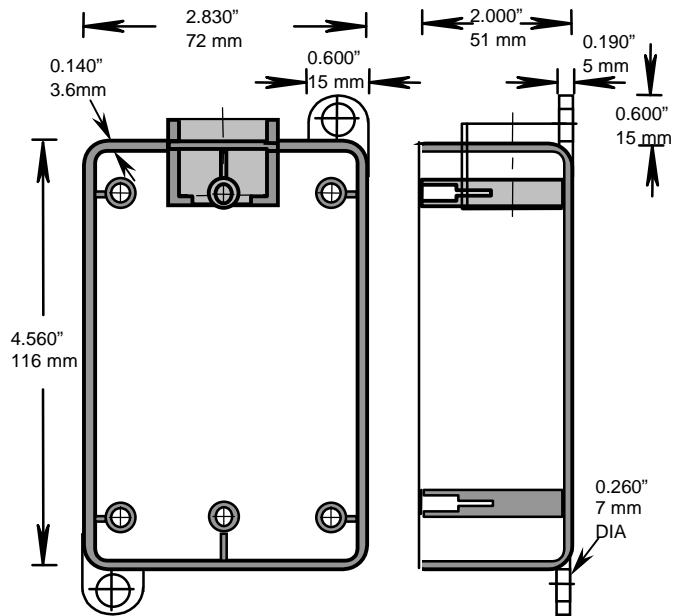
RIGID PVC CONDUIT FITTINGS - KRALOY

FSE SINGLE GANG BOXES

ISSUE DATE:  
DATE D'EMISSION: 2004 01 15

SUPERCEDES:  
REMPLECE: 2003 11 15

4



PRODUCT CODE	PART NUMBER	VOLUME	
		( cubic in)	(cubic mm)
078229	FSE05	17.4	285.1
078230	FSE07	17.4	285.1
178062	FSE05	17.4	285.1
178063	FSE07	17.4	285.1

Filename: KRALOY-20.doc  
Directory: \\Bersrvbdc\bergen\QC MANUAL  
Template: C:\Documents and Settings\joelau\Application  
Data\Microsoft\Templates\Normal.dot  
Title: SOCKET DIMENSION  
Subject:  
Author: joe lau  
Keywords:  
Comments:  
Creation Date: 1/2/2001 9:27 AM  
Change Number: 9  
Last Saved On: 1/19/2004 12:42 PM  
Last Saved By: Joe Lau  
Total Editing Time: 16 Minutes  
Last Printed On: 8/8/2005 12:36 PM  
As of Last Complete Printing  
Number of Pages: 1  
Number of Words: 29 (approx.)  
Number of Characters: 167 (approx.)