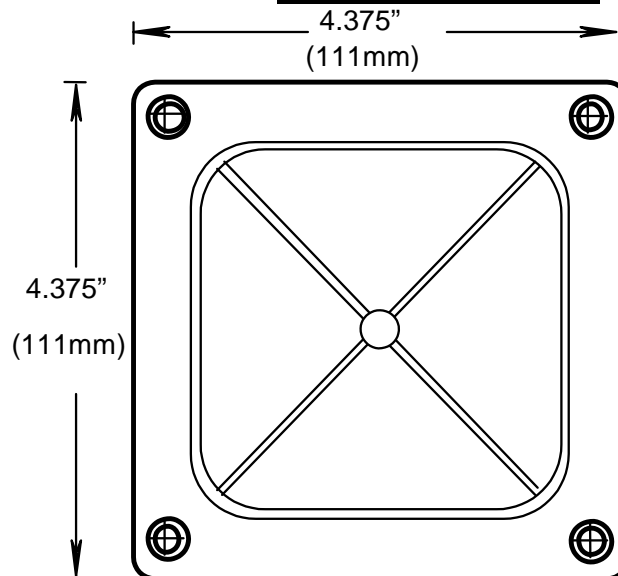
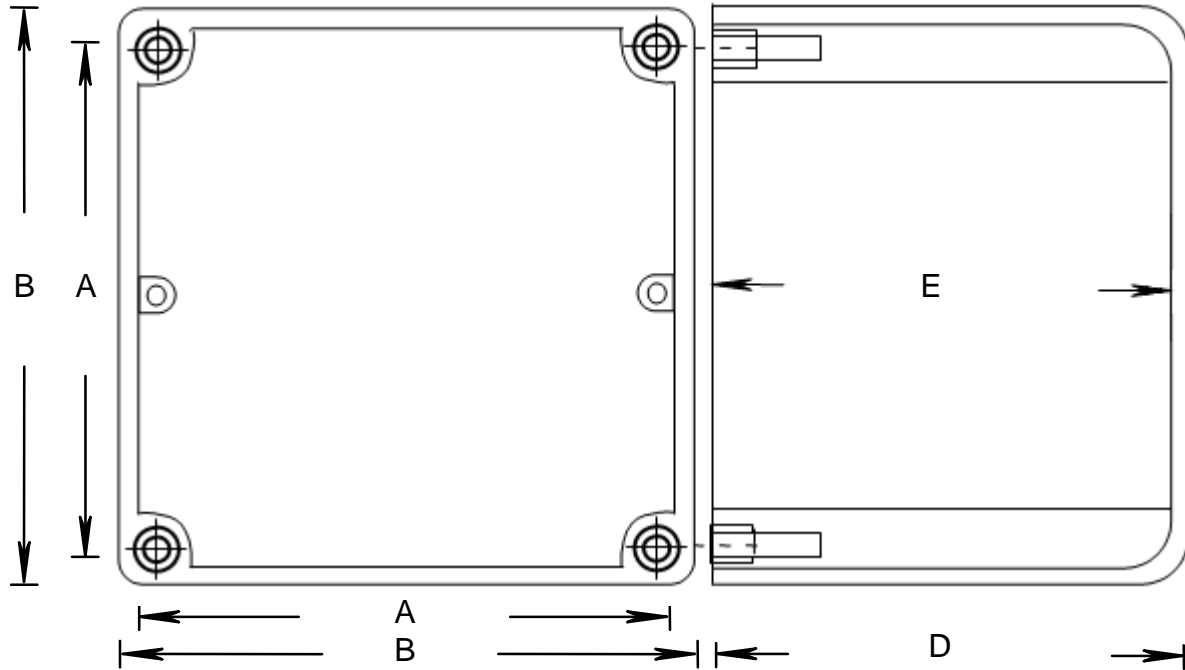


PART NUMBER	NOMINAL SIZE		A		B		D		E	
	(in)	(mm)	(in)	(mm)	(in)	(mm)	(in)	(mm)	(in)	(mm)
JB 444	4	103	4.000	102	4.375	111	4.187	106	4.000	102

PART NUMBER	NOMINAL SIZE		GASKET CODE	INSERT CODE	SCREW CODE	M.FEET CODE	VOLUME	
	(in)	(mm)					(cu. in)	(cu. cm)
JB 444	4	103	072491	072538(4)	072522(4)	N/A	56.0	917

COVER DIMENSIONS





PART NUMBER	NOMINAL SIZE		A		B		D		E	
	(in)	(mm)	(in)	(mm)	(in)	(mm)	(in)	(mm)	(in)	(mm)
JB 444	4	103	4.000	102	4.375	111	4.187	106	4.000	102

PART NUMBER	NOMINAL SIZE		GASKET CODE	INSERT CODE	SCREW CODE	M.FEET CODE	VOLUME	
	(in)	(mm)					(cu. in)	(cu. cm)
JB 444	4	103	072491	072538(4)	072522(4)	N/A	56.0	917

COVER DIMENSIONS

