

CSA, ULI

RIGID PVC CONDUIT FITTINGS - KRALOY

6X6 JUNCTION BOXES

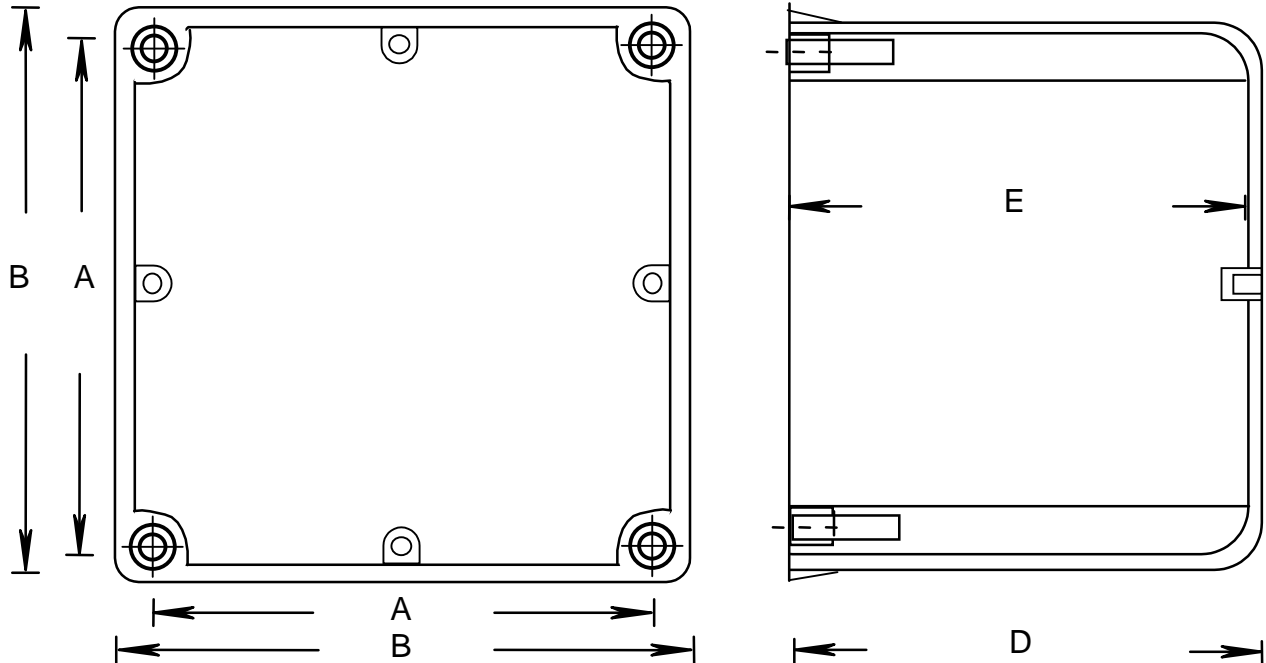
ISSUE DATE:

DATE D'EMISSION: 2009 04 30

SUPERCEDES:

REPLACE: 2003 05 15

4

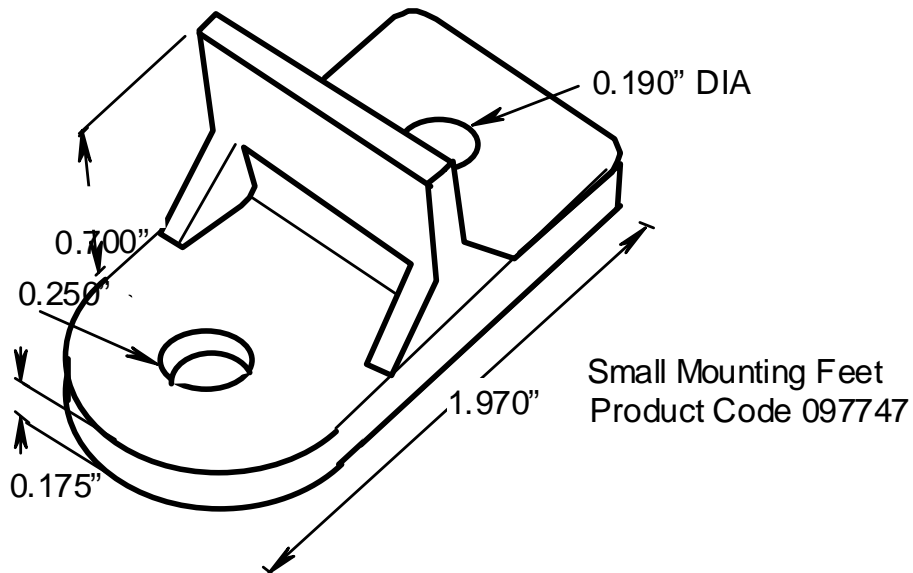
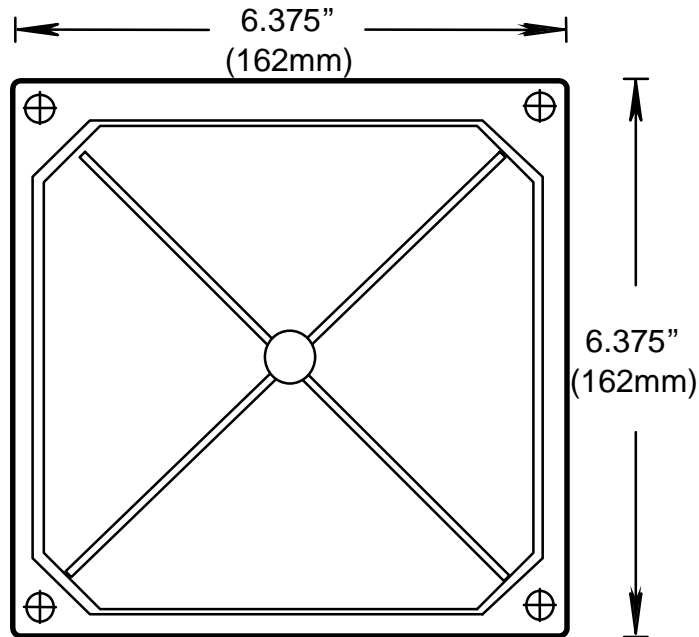


PRODUCT CODE	PART NUMBER	NOMINAL SIZE		A		B		D		E	
		(in)	(mm)	(in)	(mm)	(in)	(mm)	(in)	(mm)	(in)	(mm)
078246	JB 664	6	155	6.000	152	6.375	162	4.187	106	4.000	102
078247	JB 666	6	155	6.000	152	6.375	162	6.187	157	6.000	152
178064	JB 664	6	155	6.000	152	6.375	162	4.187	106	4.000	102

PRODUCT CODE	PART NUMBER	NOMINAL SIZE		GASKET CODE	INSERT CODE	SCREW CODE	VOLUME	
		(in)	(mm)				(cu. in)	(cu. cm)
078246	JB 664	6	155	072492	072539(8)	072513 (8)	138.0	2263.2
078247	JB 666	6	155	072492	072539(8)	072513 (8)	211.0	3460.4
178064	JB 664	6	155	072492	072539(8)	072513 (8)	138.0	2263.2

COMES WITH 4 SMALL MOUNTING FEET, 097747

COVER DIMENSIONS



CSA, ULI

RIGID PVC CONDUIT FITTINGS - KRALOY

6X6 JUNCTION BOXES

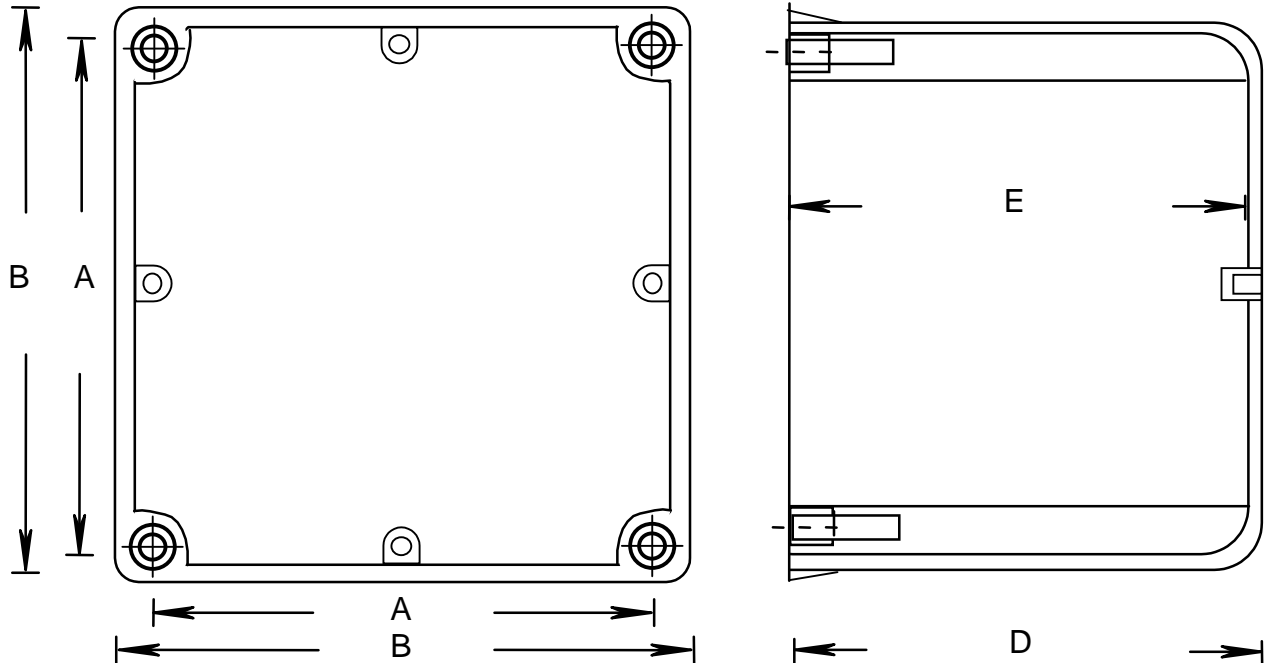
ISSUE DATE:

DATE D'EMISSION: 2009 04 30

SUPERCEDES:

REPLACE: 2003 05 15

4



PRODUCT CODE	PART NUMBER	NOMINAL SIZE		A		B		D		E	
		(in)	(mm)	(in)	(mm)	(in)	(mm)	(in)	(mm)	(in)	(mm)
078246	JB 664	6	155	6.000	152	6.375	162	4.187	106	4.000	102
078247	JB 666	6	155	6.000	152	6.375	162	6.187	157	6.000	152
178064	JB 664	6	155	6.000	152	6.375	162	4.187	106	4.000	102

PRODUCT CODE	PART NUMBER	NOMINAL SIZE		GASKET CODE	INSERT CODE	SCREW CODE	VOLUME	
		(in)	(mm)				(cu. in)	(cu. cm)
078246	JB 664	6	155	072492	072539(8)	072513 (8)	138.0	2263.2
078247	JB 666	6	155	072492	072539(8)	072513 (8)	211.0	3460.4
178064	JB 664	6	155	072492	072539(8)	072513 (8)	138.0	2263.2

COMES WITH 4 SMALL MOUNTING FEET, 097747

COVER DIMENSIONS

