

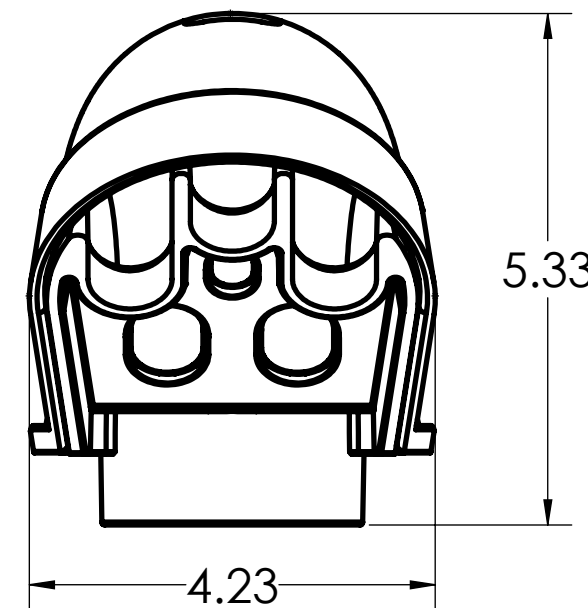
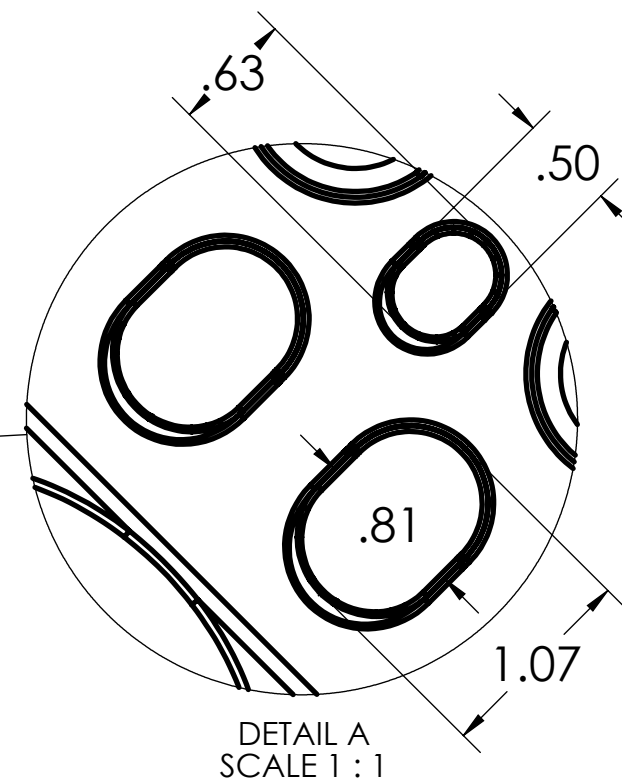
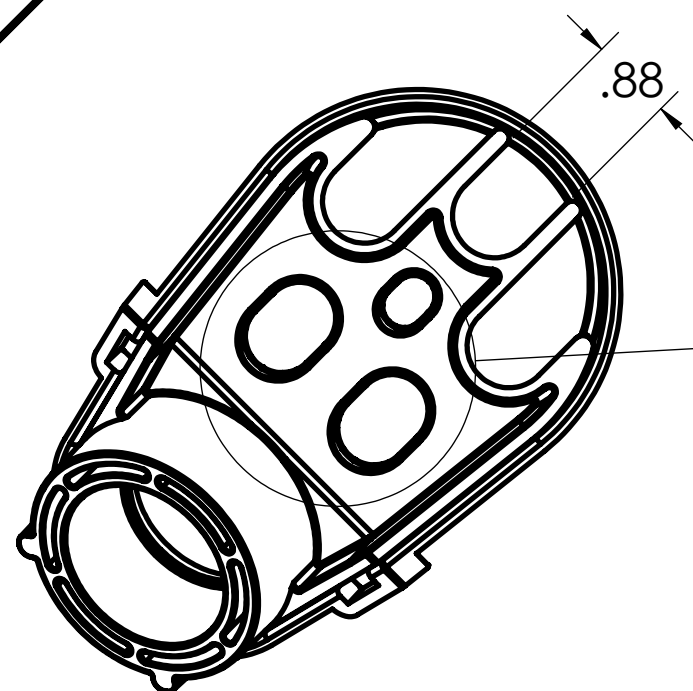
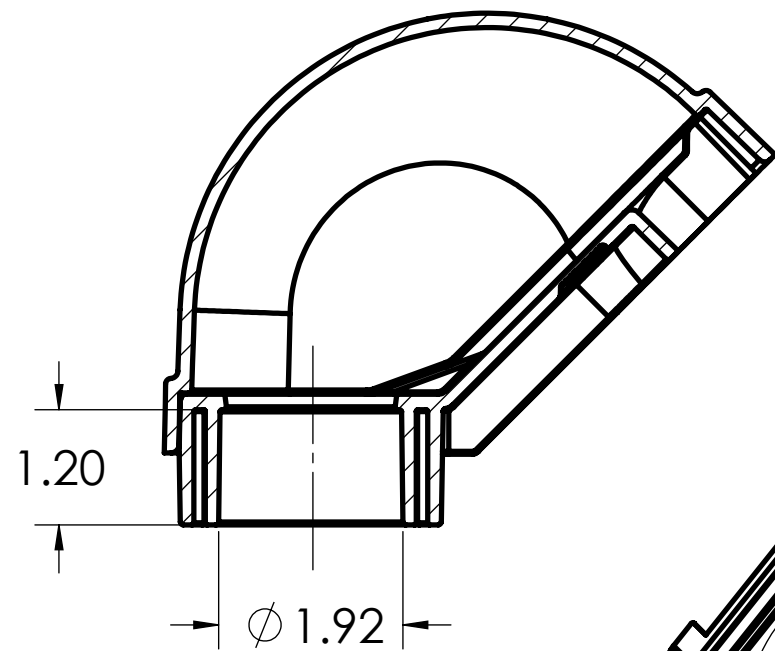
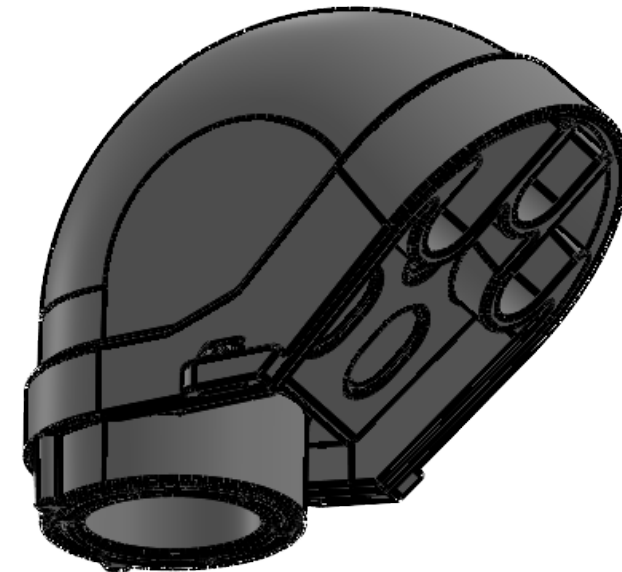
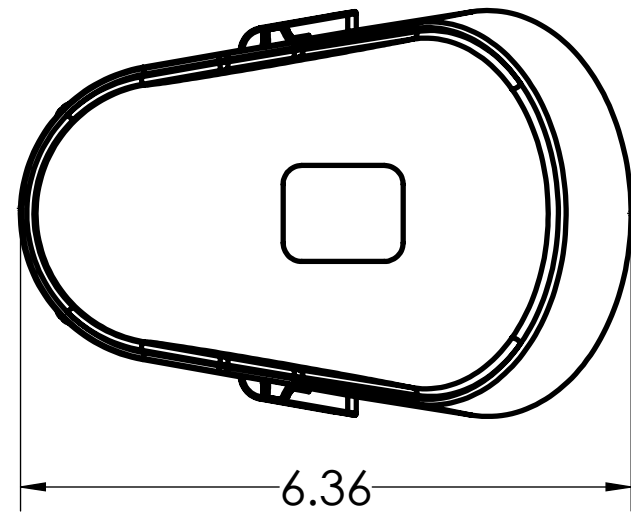
DIMENSIONS SHOWN ARE FOR REFERENCE AND ARE SUBJECT TO CHANGE WITHOUT NOTICE

**Kraloy, a Division of Multi Fittings Corp.**  
under license

PART DESCRIPTION  
MH15 1 1/2" PVC SERVICE ENTRANCE FITTING KRALOY

|                         |  |               |
|-------------------------|--|---------------|
| PRODUCT CODE:<br>078306 | UNIT: INCHES UNLESS<br>DUAL DIMENSION: INCH [METRIC] | SCALE:<br>NTS |
|-------------------------|--|---------------|

|        |      |
|--------|------|
| DRAWN: | S.I. |
|--------|------|



DIMENSIONS SHOWN ARE FOR REFERENCE AND ARE SUBJECT TO CHANGE WITHOUT NOTICE

**Kraloy, a Division of Multi Fittings Corp.**  
under license

PART DESCRIPTION  
MH15 1 1/2" PVC SERVICE ENTRANCE FITTING KRALOY

|                         |  |               |
|-------------------------|--|---------------|
| PRODUCT CODE:<br>078306 | UNIT: INCHES UNLESS<br>DUAL DIMENSION: INCH [METRIC] | SCALE:<br>NTS |
|-------------------------|--|---------------|

|        |      |
|--------|------|
| DRAWN: | S.I. |
|--------|------|