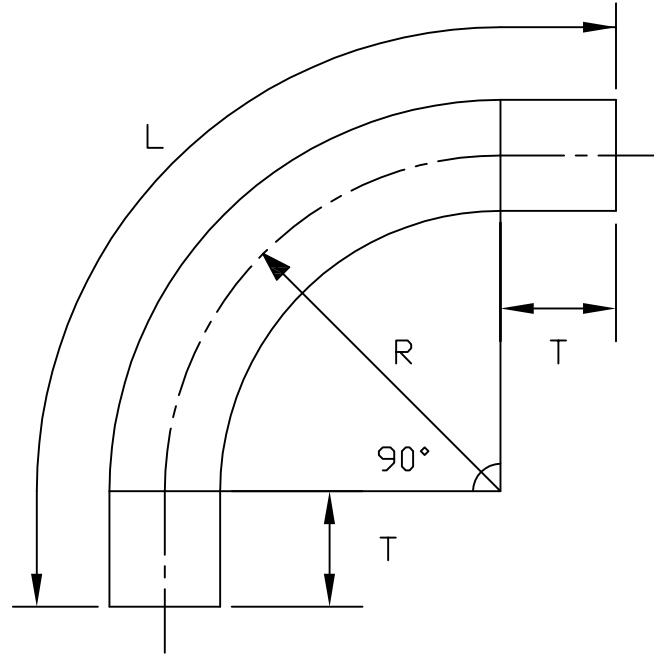


RIGID PVC CONDUIT
CONDUIT RIGIDE EN PVC

90° SCH40 BEND PE / COUDE 90° SCH40 BU

ISSUE DATE: 2004 02 12
DATE D'EMISSION:

SUPERSEDES: 2002 12 06
REPLACE:



	CODE	Size Grosueur	L Ref.	R Ref.	T Ref.
	# 068574	41mm (1.5")	432mm (17.0")	210mm (8.25")	51mm (2")
KRALOY HALEX	# 068580 # 076114 # 078540 # 078973	16mm (0.5")	241mm (9.50")	102mm (4.0")	41mm (1.60")
KRALOY HALEX	# 068581 # 076115 # 078541 # 078974	21mm (0.75")	309mm (12.167")	114mm (4.50")	64mm (2.50")
KRALOY HALEX	# 068582 # 076116 # 078542 # 078975 088602	25mm (1")	356mm (14.0")	146mm (5.75")	64mm (2.50")
KRALOY HALEX	# 068583 # 076137 # 078543 # 078976	35mm (1.25")	419mm (16.50")	184mm (7.25")	64mm (2.50")
KRALOY HALEX	# 068584 # 076498 # 078544 # 078977	41mm (1.5")	432mm (17.0")	210mm (8.25")	51mm (2.0")
KRALOY HALEX	# 068585 # 078545 # 078978	50mm (2")	530mm (20.875)	241mm (9.50")	76mm (3.0")

- UL APPROVED / APPROUVES

* - CSA CERTIFIED / CERTIFIE

L - LENGTH OF PIPE BEFORE BENDING / LONGUEUR DU TUYAU AVANT D'ETRE COURBE