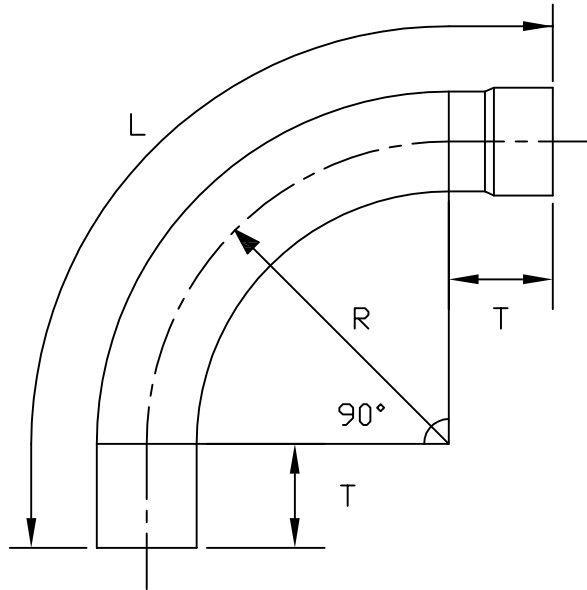


RIGID PVC CONDUIT
CONDUIT RIGIDE EN PVC

90° SCH40 BEND BE / 90° SCH40 COUDE MXH

ISSUE DATE: 2007 09 24
DATE D'EMISSION:

SUPERSEDES: 2002 12 06
REPLACE:



	CODE	Size Grosueur	L Ref.	R Ref.	T Ref.
HALEX KRALOY	# 068420 * 069081 064534 # 078588 020501	16mm (0.5")	241mm (9.50")	102mm (4.0")	41mm (1.60")
	# 068421 * 069082 064535 # 078589 020502	21mm (0.75")	309mm (12.167")	114mm (4.50")	64mm (2.50")
HALEX KRALOY	# 068422 * 069083 064536 # 078590 020503	25mm (1")	356mm (14.0")	146mm (5.75")	64mm (2.50")
	# 069084 ? * # 068870	35mm (1.25")	502mm (19.75")	184mm (7.25")	102mm (4.0")
KRALOY HALEX	# 068423 # 078591 064537 020504	35mm (1.25")	419mm (16.50")	184mm (7.25")	64mm (2.50")
HALEX KRALOY	# 068424 * 069085 064538 # 078592 020505	41mm (1.5")	435mm (17.125")	210mm (8.25")	51mm (2.0")
	# 068425 * 069086 064539 # 078593 020506 020605	53mm (2.0")	530mm (20.875")	241mm (9.50")	76mm (3.0")

#- UL APPROVED / APPROUVES

*- CSA CERTIFIED / CERTIFIE

L- LENGTH OF PIPE BEFORE BENDING / LONGUEUR DU TUYAU AVANT D'ETRE COURBE

?- USE DUEL MARKING PIPE. USES SAME MLD AS CSA BEND