

CSA, UL

RIGID PVC CONDUIT FITTINGS - KRALOY

VSC15/10 SINGLE GANG TOGGLE SWITCH  
COVERS, 078900, 178141

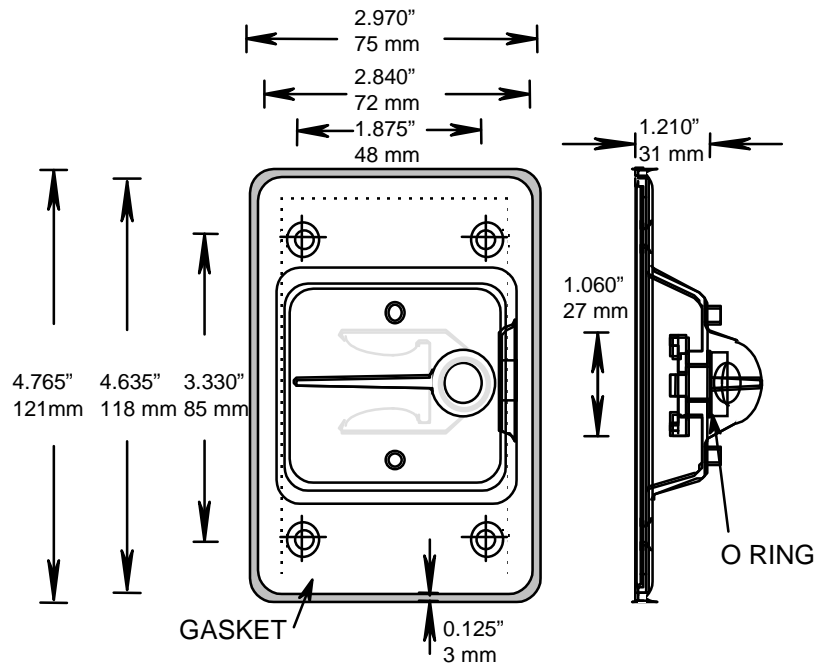
ISSUE DATE:

DATE D'EMISSION: 2007 06 30

SUPERCEDES:

REPLACE: 2004 04 30

3



PART DESCRIPTION	PART CODE	QUANTITY
SINGLE GANG GASKET	097982	1
6-32x1/2 PAN SLOT SCREW	072520	4
HANDLE FOR VSC15/10	097983	1
3/8" O-RING #12	072281	1

TOGGLE DIMENSIONS: Red Handle (L X W) = 2" X 1" (50.8mm X 25.4mm)  
Raised Portion of Cover (L X W X D) = 4 3/4" X 2" X 1" (120.7mm X 50.8mm X 25.4mm)

CSA, UL

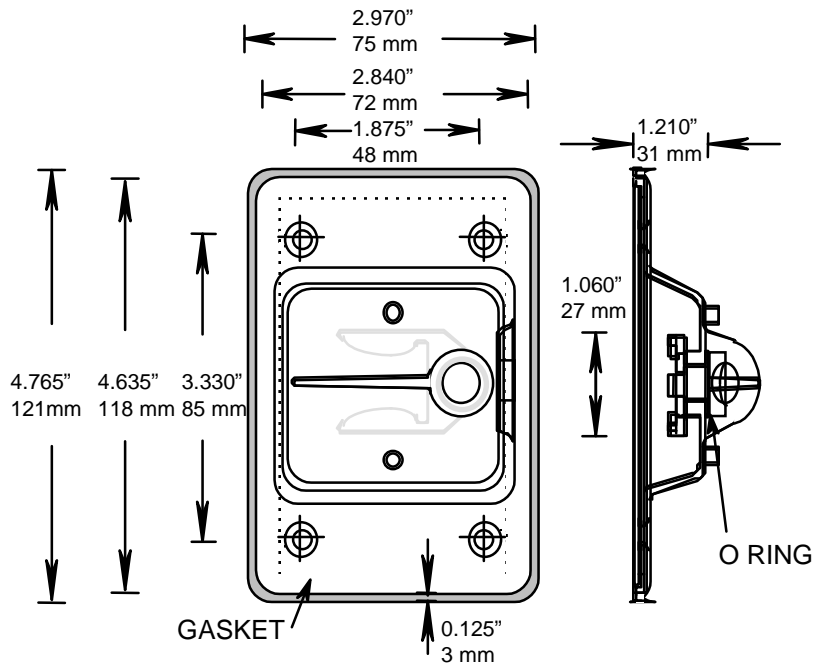
RIGID PVC CONDUIT FITTINGS - KRALOY

VSC15/10 SINGLE GANG TOGGLE SWITCH  
COVERS, 078900, 178141

ISSUE DATE:  
DATE D'EMISSION: 2007 06 30

SUPERCEDES:  
REPLACE: 2004 04 30

3



PART DESCRIPTION	PART CODE	QUANTITY
SINGLE GANG GASKET	097982	1
6-32x1/2 PAN SLOT SCREW	072520	4
HANDLE FOR VSC15/10	097983	1
3/8" O-RING #12	072281	1

TOGGLE DIMENSIONS: Red Handle (L X W) = 2" X 1" (50.8mm X 25.4mm)  
 Raised Portion of Cover (L X W X D) = 4 3/4" X 2" X 1" (120.7mm X 50.8mm X 25.4mm)