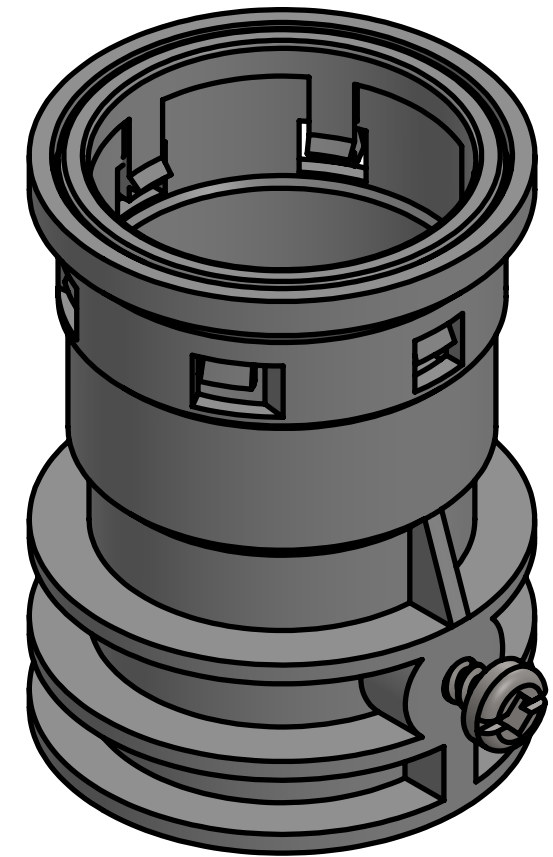
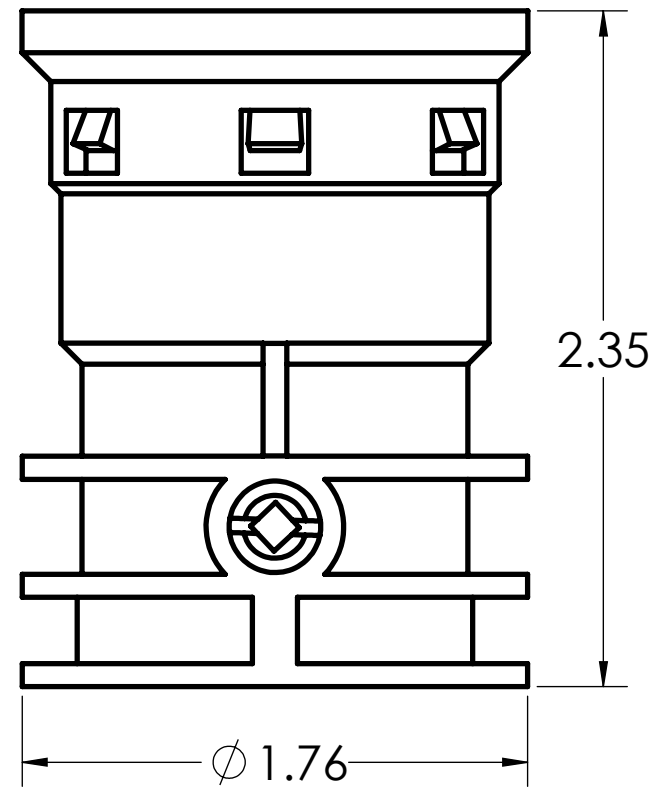
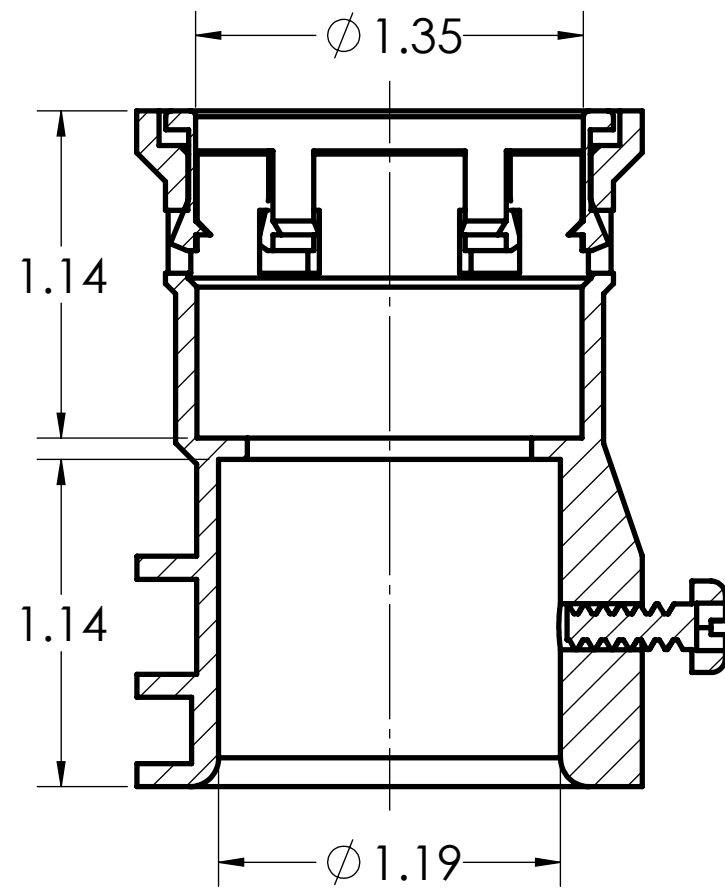
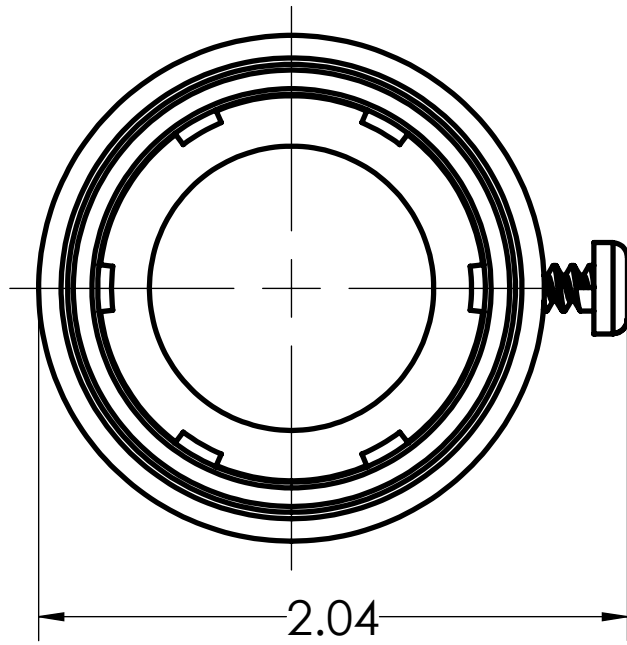


DIMENSIONS SHOWN ARE FOR REFERENCE AND ARE SUBJECT TO CHANGE WITHOUT NOTICE

**IPEX Technologies Inc.**

*PART DESCRIPTION*  
KTC20 1" PVC CONNECTOR ENT TO EMT KWIKON

|                                |  |                      |
|--------------------------------|--|----------------------|
| <i>PRODUCT CODE:</i><br>089014 | <i>UNIT: INCHES UNLESS<br/>DUAL DIMENSION: INCH [METRIC]</i> | <i>SCALE:</i><br>NTS |
| <i>DRAWN:</i><br>B.T.          |  |                      |



DIMENSIONS SHOWN ARE FOR REFERENCE AND ARE SUBJECT TO CHANGE WITHOUT NOTICE

**IPEX Technologies Inc.**

*PART DESCRIPTION*  
KTC20 1" PVC CONNECTOR ENT TO EMT KWIKON

|                                |  |                      |
|--------------------------------|--|----------------------|
| <i>PRODUCT CODE:</i><br>089014 | <i>UNIT: INCHES UNLESS<br/>DUAL DIMENSION: INCH [METRIC]</i> | <i>SCALE:</i><br>NTS |
| <i>DRAWN:</i><br>B.T.          |  |                      |