

Catalog Number
Notes
Type

## FEATURES & SPECIFICATIONS

**INTENDED USE** — The OLWP provides years of maintenance-free general illumination for commercial or residential outdoor applications such as driveways, patios, loading areas and warehouses.

**CONSTRUCTION** — Rugged cast-aluminum, corrosion-resistant rear mounting plate.

Impact resistant polycarbonate front cover/diffuser resists fading and cracking.

Driver operates at 120V.

Operating temperature -40°C to 40°C.

**OPTICS** — High-performance LEDs maintain 70% of light output at 50,000 hours of service. (LED lifespan based on IESNA LM-80-08 results and calculated per IESNA TM-21-11 methodology.)

Lenses are engineered for superior lighting distribution, uniformity and fixture spacing.

See Lighting Facts Labels for specific fixture performance.

**INSTALLATION** — Designed for wall mounting more than 4' above the ground. Mounts to a recessed junction box (by others).

**LISTINGS** — UL Listed to US and Canadian safety standards for wet locations.

**WARRANTY** — 5-year limited warranty. Complete warranty terms located at:

[www.acuitybrands.com/CustomerResources/Terms\\_and\\_conditions.aspx](http://www.acuitybrands.com/CustomerResources/Terms_and_conditions.aspx)

**Note:** Actual performance may differ as a result of end-user environment and application.

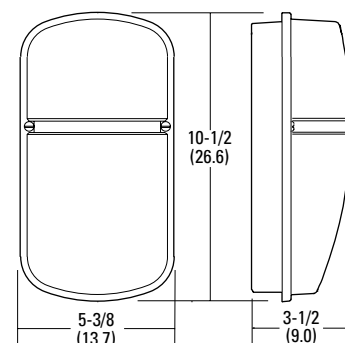
All values are design or typical values, measured under laboratory conditions at 25 °C.

Specifications subject to change without notice.

Outdoor General Purpose

# OLWP

LED WALL PACK



All dimensions are inches (centimeters) unless otherwise indicated.

### ORDERING INFORMATION

All configurations of this product are considered "standard" and have short lead times.

**Example:** OLWP LED P1 40K 120 PE DDB

Series	Lumens / Color temperature (CCT) <sup>1</sup>	Voltage	Control	Finish
OLWP LED	P1 40K 1414 lumens / 4000K	120 120V	PE Button photocell	DDB Dark Bronze

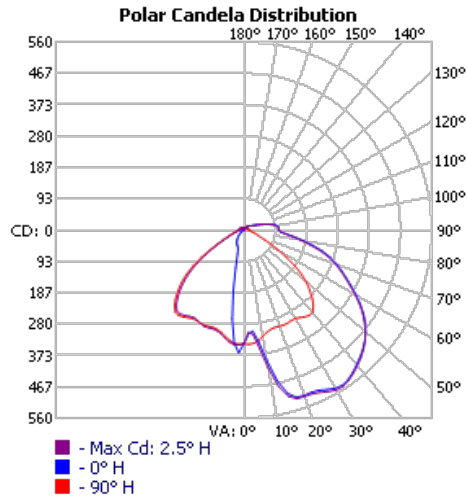
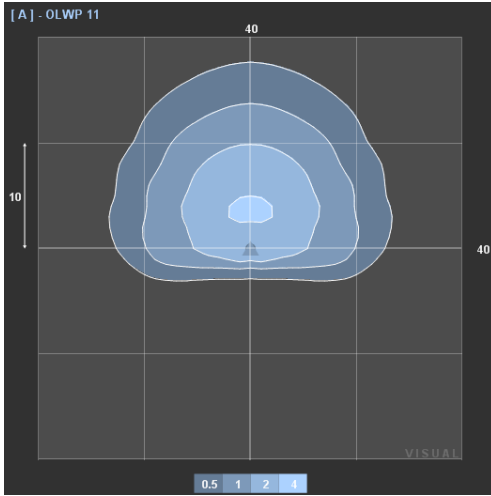
### Notes

1 Nominal Correlated Color Temperature (CCT) per ANSI C78.377-2008.

## PHOTOMETRIC DIAGRAMS

To see complete photometric reports or download .ies files for this product, visit the OLWP home page on [www.Lithonia.com](http://www.Lithonia.com). Tested in accordance with IESNA LM-79 and LM-80 standards.

### OLWP 11



Catalog Number
Notes
Type

## FEATURES & SPECIFICATIONS

**INTENDED USE** — The OLWP provides years of maintenance-free general illumination for commercial or residential outdoor applications such as driveways, patios, loading areas and warehouses.

**CONSTRUCTION** — Rugged cast-aluminum, corrosion-resistant rear mounting plate.

Impact resistant polycarbonate front cover/diffuser resists fading and cracking.

Driver operates at 120V.

Operating temperature -40°C to 40°C.

**OPTICS** — High-performance LEDs maintain 70% of light output at 50,000 hours of service. (LED lifespan based on IESNA LM-80-08 results and calculated per IESNA TM-21-11 methodology.)

Lenses are engineered for superior lighting distribution, uniformity and fixture spacing.

See Lighting Facts Labels for specific fixture performance.

**INSTALLATION** — Designed for wall mounting more than 4' above the ground. Mounts to a recessed junction box (by others).

**LISTINGS** — UL Listed to US and Canadian safety standards for wet locations.

**WARRANTY** — 5-year limited warranty. Complete warranty terms located at:

[www.acuitybrands.com/CustomerResources/Terms\\_and\\_conditions.aspx](http://www.acuitybrands.com/CustomerResources/Terms_and_conditions.aspx)

**Note:** Actual performance may differ as a result of end-user environment and application.

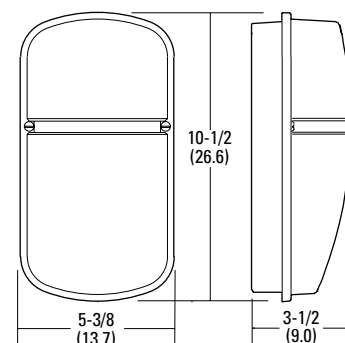
All values are design or typical values, measured under laboratory conditions at 25 °C.

Specifications subject to change without notice.

Outdoor General Purpose

# OLWP

LED WALL PACK



All dimensions are inches (centimeters) unless otherwise indicated.

### ORDERING INFORMATION

All configurations of this product are considered "standard" and have short lead times.

**Example:** OLWP LED P1 40K 120 PE DDB

Series	Lumens / Color temperature (CCT) <sup>1</sup>	Voltage	Control	Finish
OLWP LED	P1 40K 1414 lumens / 4000K	120 120V	PE Button photocell	DDB Dark Bronze

### Notes

1 Nominal Correlated Color Temperature (CCT) per ANSI C78.377-2008.

## PHOTOMETRIC DIAGRAMS

To see complete photometric reports or download .ies files for this product, visit the OLWP home page on [www.Lithonia.com](http://www.Lithonia.com). Tested in accordance with IESNA LM-79 and LM-80 standards.

### OLWP 11

