



Catalog Number: 10106-SC3R-NK  
Item Description: N3R SCREW COVER ENCL NK  
UPC Code: 784572100336

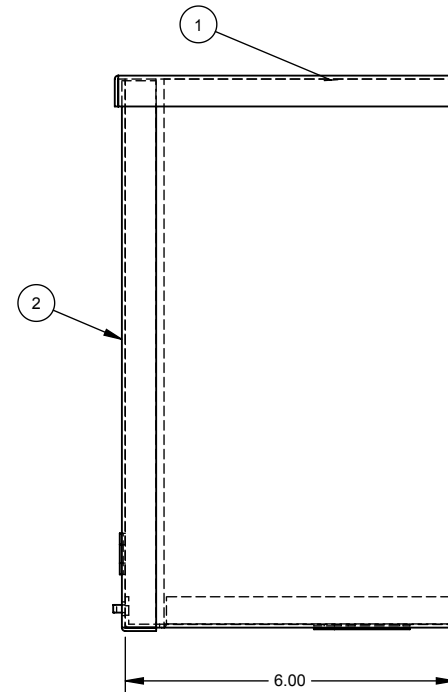
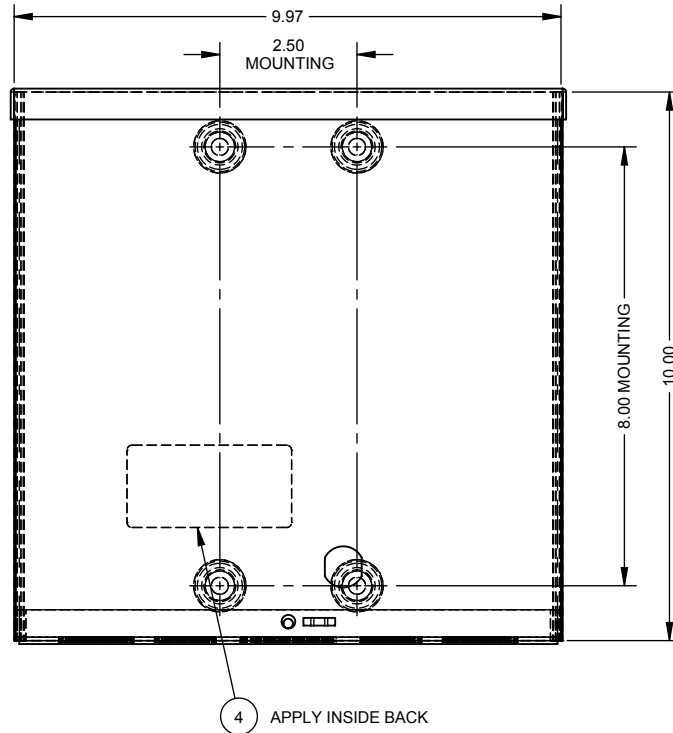
**Brand Name:** Milbank  
**Type:** Screw Cover  
**Special Features:** Drip Shield Top, Cover Secured with Plated Screw, Mounting Embosses on Enclosure Back  
**Application:** Enclosure for Mounting Electrical Equipment  
**Standard:** UL Listed  
**Number Of Outlet:** 0  
**Material:** Steel with Powder Coat Finish  
**Color:** ANSI 61 Gray  
**Mounting:** Wall Mount  
**NEMA Rating:** Type 3R



*Utility requirements may vary. Always consult the serving utility for their requirements prior to ordering or installing this equipment. This product must always be installed by a licensed electrician. Installation of this equipment may require local electrical inspector approval.*

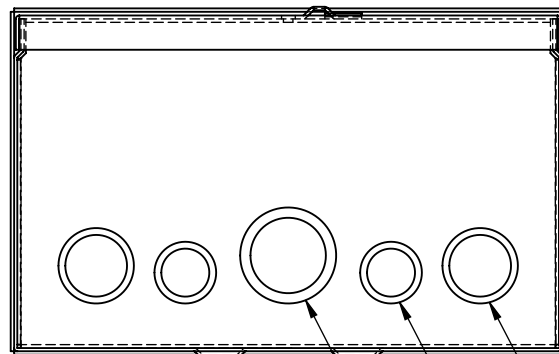
CATALOG NO.	LABEL NO.
10106-SC3R	1002135
RC-10106-SC3R	1125021
SPRSC-10106	1132714

ITEM	QTY	PART NUMBER	DESCRIPTION
1	1	(SEE CHART)	BACK WELDMENT
2	1	(SEE CHART)	FRONT
3	1	1002170	BAG OF NEMA SCREWS
4	1	(SEE CHART)	LABEL (UL)
5	0.5	1002933	CARTON (NOT SHOWN)



NOTES:

1.) BAG ASSY TO BE SHIPPED INSIDE OF ENCLOSURE.


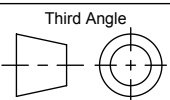


- 3/4, 1 CONC. K.O.  
2 PL
- 1/2, 3/4 CONC. K.O.  
2 PL
- 1, 1-1/4 CONC. K.O.

SUFFIX	FINISH	WELDMENT NO.	FRONT NO.	INSTALL KOs
NONE	MILBANK LIGHT GRAY	1160874	1143506	YES
-NP	NONE	1135512	1010746	
-NK	MILBANK LIGHT GRAY	1135513	1143506	NO
-NK-NP	NONE	1160867	1010746	
-SP1	MILBANK LIGHT GRAY	1135513	1135514	NO
-SP2	MILBANK OLIVE #1138560	1138636	1138635	

NEMA DWG.: #190

B4	9/29/08	CHART FRONT & WELDMENT (ECO #17712)	D.F.	C	10-19-11	1001290 WAS 1002170 (ECO #21468)	DL	Scale:	NTS	Checked By:		Drawing No.:	<b>1001537</b>
B5	5/18/09	CHART OLIVE VERSION (ECO #18294)	D.F.	C1	9/10/12	UPDATE CHARTS (ECO #22903)	D.F.	Drawn By:	DY	Approved By:		Date:	Sheet 1 of 1

Material:	GALVANIZED		 General Offices: Kansas City, MO	
Finish:	(SEE CHART)			
Tolerances: Unless Specified Otherwise X.X ±.1 X.XX ±.03 X.XXX ±.015 X° ±2°		Third Angle 	Title:	10 x 10 x 6 SCREW COVER TYPE 3R ENCLOSURE
			Catalog No.:	(SEE CHART)
			Customer:	MILBANK STANDARD



Catalog Number: 10106-SC3R-NK  
Item Description: N3R SCREW COVER ENCL NK  
UPC Code: 784572100336

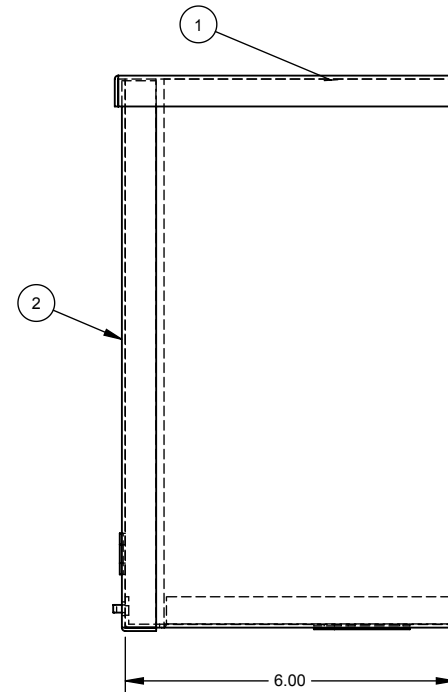
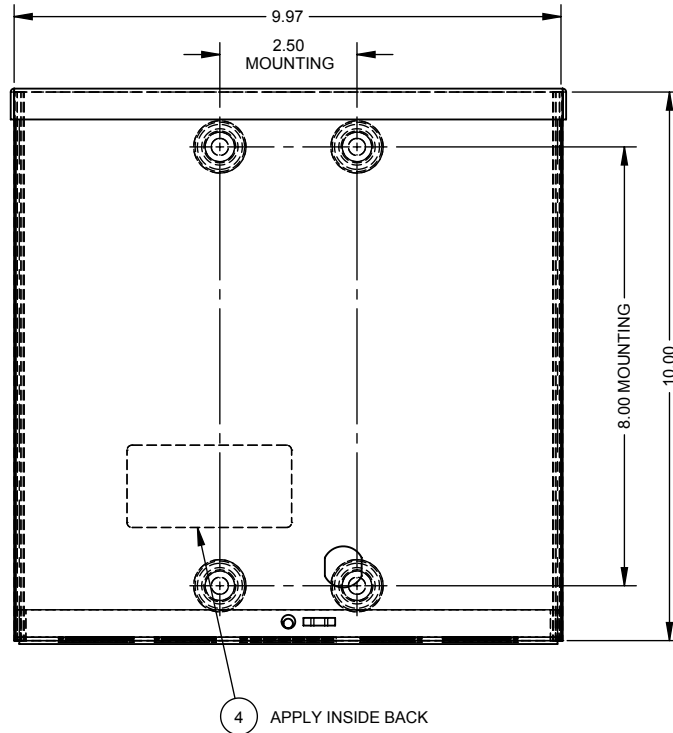
**Brand Name:** Milbank  
**Type:** Screw Cover  
**Special Features:** Drip Shield Top, Cover Secured with Plated Screw, Mounting Embosses on Enclosure Back  
**Application:** Enclosure for Mounting Electrical Equipment  
**Standard:** UL Listed  
**Number Of Outlet:** 0  
**Material:** Steel with Powder Coat Finish  
**Color:** ANSI 61 Gray  
**Mounting:** Wall Mount  
**NEMA Rating:** Type 3R



*Utility requirements may vary. Always consult the serving utility for their requirements prior to ordering or installing this equipment. This product must always be installed by a licensed electrician. Installation of this equipment may require local electrical inspector approval.*

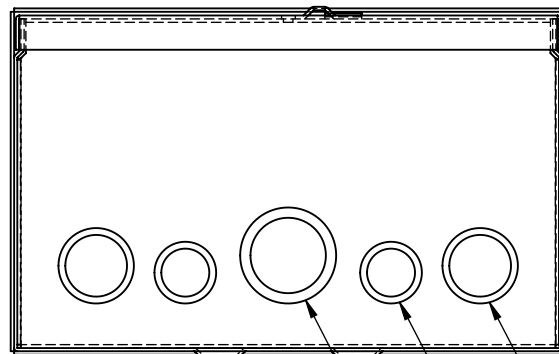
CATALOG NO.	LABEL NO.
10106-SC3R	1002135
RC-10106-SC3R	1125021
SPRSC-10106	1132714

ITEM	QTY	PART NUMBER	DESCRIPTION
1	1	(SEE CHART)	BACK WELDMENT
2	1	(SEE CHART)	FRONT
3	1	1002170	BAG OF NEMA SCREWS
4	1	(SEE CHART)	LABEL (UL)
5	0.5	1002933	CARTON (NOT SHOWN)



**NOTES:**

1.) BAG ASSY TO BE SHIPPED INSIDE OF ENCLOSURE.



- 3/4, 1 CONC. K.O.  
2 PL
- 1/2, 3/4 CONC. K.O.  
2 PL
- 1, 1-1/4 CONC. K.O.

SUFFIX	FINISH	WELDMENT NO.	FRONT NO.	INSTALL KOs
NONE	MILBANK LIGHT GRAY	1160874	1143506	YES
-NP	NONE	1135512	1010746	
-NK	MILBANK LIGHT GRAY	1135513	1143506	NO
-NK-NP	NONE	1160867	1010746	
-SP1	MILBANK LIGHT GRAY	1135513	1135514	NO
-SP2	MILBANK OLIVE #1138560	1138636	1138635	

NEMA DWG.: #190

B4	9/29/08	CHART FRONT & WELDMENT (ECO #17712)	D.F.	C	10-19-11	1001290 WAS 1002170 (ECO #21468)	DL	Scale:	NTS	Checked By:		Drawing No.:	<b>1001537</b>
B5	5/18/09	CHART OLIVE VERSION (ECO #18294)	D.F.	C1	9/10/12	UPDATE CHARTS (ECO #22903)	D.F.	Drawn By:	DY	Approved By:		Date:	Sheet 1 of 1

Material:	GALVANIZED		<p>General Offices: Kansas City, MO</p>
Finish:	(SEE CHART)		
Tolerances: Unless Specified Otherwise X.X ±.1 X.XX ±.03 X.XXX ±.015 X° ±2°	Third Angle Projection		
Title:	10 x 10 x 6 SCREW COVER TYPE 3R ENCLOSURE		
Catalog No.:	(SEE CHART)		
Customer:	MILBANK STANDARD		
Date:			