

# TORK<sup>®</sup>

## SPECIFICATION SHEET

### 1109A & 1109A-O

Same ON/OFF Times Each Day

#### APPLICATIONS

- Lighting, pumps, signs.
- Air conditioning, water heaters, fans.
- Automatic ON/OFF control when operation is required at the same time every day.

#### FEATURES

- **Scheduling:** Minimum ON is setting 20 minutes with a minimum OFF setting of 75 minutes. Dial accommodates up to 12 pairs of trippers. One pair included.
- **Manual Override:** Until the next regularly scheduled ON or OFF automatic operation then resumes.
- **Standards:** Listed UL/CSA 60730.
- **Enclosed Motor:** Protects gears for extended life.

#### SPECIFICATIONS

- **Timing Accuracy:** Line Frequency.
- **Input Voltage:** 120/208-277VAC, 50/60Hz
- **Terminal Range:** #8 - #14AWG.
- **Operating Temperature:** -40 °F to 149 °F (-40 °C to 65 °C).
- **Power Consumption:** 3 Watts Max.
- **Enclosure:** Metal Indoor NEMA 1. Suffix -O Metal Indoor/Outdoor NEMA 3R. All with lockable hasp.

#### CONTACT RATINGS

- **General Purpose:** 120/208-277VAC 40A.
- **Resistive:** 120/208-277VAC 40A.
- **Tungsten:** 120VAC 40A.
- **Ballast:** 120/208-277VAC 20A.
- **Electronic Ballast (LED):** 120/208-277VAC 16A.
- **Pilot Duty:** 120VAC 1000VA, 240VAC 2000VA.
- **Motor:** 120VAC 2HP, 240VAC 5HP.
- **Short Circuit Rating:** 5KA (when protected by a Class T Fuse Rated 60A).

Project Info:	Type:
Job Ref:	Catalog Number:
Approvals:	Date:



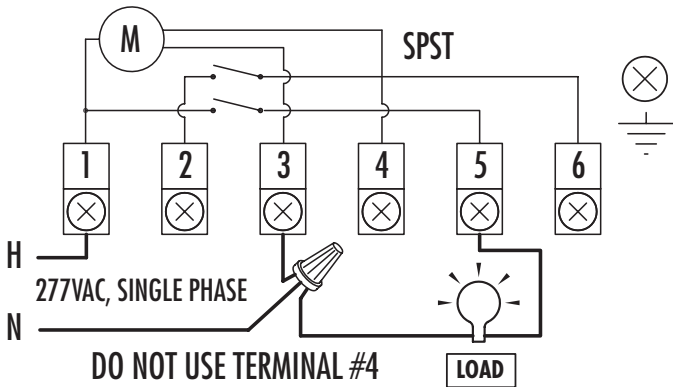
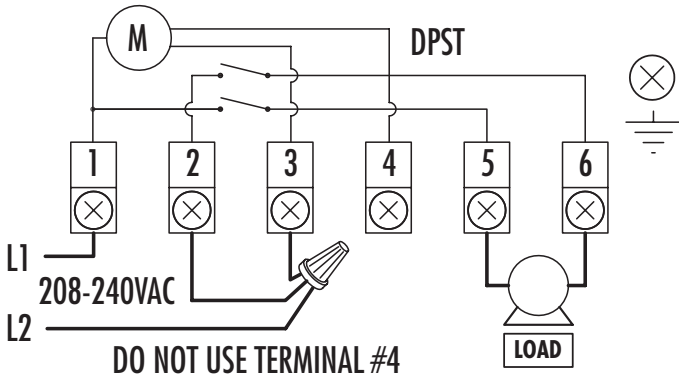
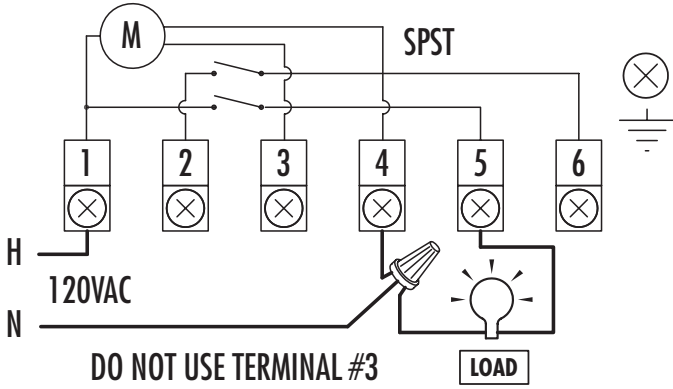
#### ORDERING INFO

CAT. NO.	CERTIFICATION	UPC CODE	INPUT SUPPLY (VAC) 60Hz	OUTPUT CONTACTS	ENCLOSURE TYPE
1109A	cULus	10105	120/208-277	SPST/DPST	Metal Indoor NEMA 1
1109A-O	cULus	10106	120/208-277	SPST/DPST	Metal Indoor/Outdoor NEMA 3

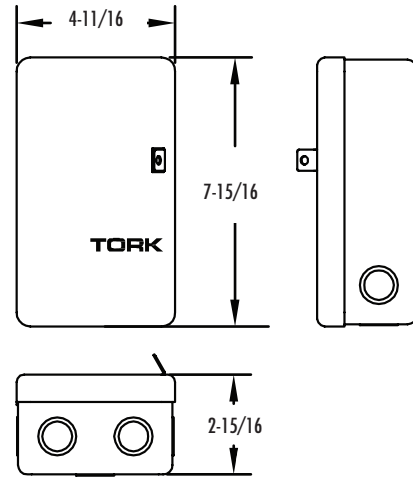
# TORK<sup>®</sup>

## SPECIFICATION SHEET

### WIRING DIAGRAMS



### ENCLOSURE



# TORK<sup>®</sup>

## SPECIFICATION SHEET

### 1109A & 1109A-O

Same ON/OFF Times Each Day

#### APPLICATIONS

- Lighting, pumps, signs.
- Air conditioning, water heaters, fans.
- Automatic ON/OFF control when operation is required at the same time every day.

#### FEATURES

- **Scheduling:** Minimum ON is setting 20 minutes with a minimum OFF setting of 75 minutes. Dial accommodates up to 12 pairs of trippers. One pair included.
- **Manual Override:** Until the next regularly scheduled ON or OFF automatic operation then resumes.
- **Standards:** Listed UL/CSA 60730.
- **Enclosed Motor:** Protects gears for extended life.

#### SPECIFICATIONS

- **Timing Accuracy:** Line Frequency.
- **Input Voltage:** 120/208-277VAC, 50/60Hz
- **Terminal Range:** #8 - #14AWG.
- **Operating Temperature:** -40 °F to 149 °F (-40 °C to 65 °C).
- **Power Consumption:** 3 Watts Max.
- **Enclosure:** Metal Indoor NEMA 1. Suffix -O Metal Indoor/Outdoor NEMA 3R. All with lockable hasp.

#### CONTACT RATINGS

- **General Purpose:** 120/208-277VAC 40A.
- **Resistive:** 120/208-277VAC 40A.
- **Tungsten:** 120VAC 40A.
- **Ballast:** 120/208-277VAC 20A.
- **Electronic Ballast (LED):** 120/208-277VAC 16A.
- **Pilot Duty:** 120VAC 1000VA, 240VAC 2000VA.
- **Motor:** 120VAC 2HP, 240VAC 5HP.
- **Short Circuit Rating:** 5KA (when protected by a Class T Fuse Rated 60A).

Project Info:	Type:
Job Ref:	Catalog Number:
Approvals:	Date:



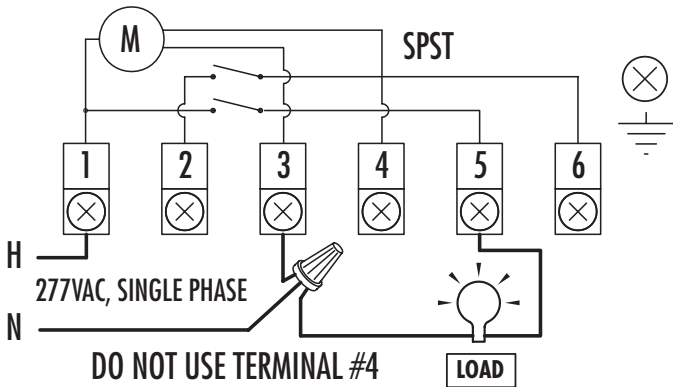
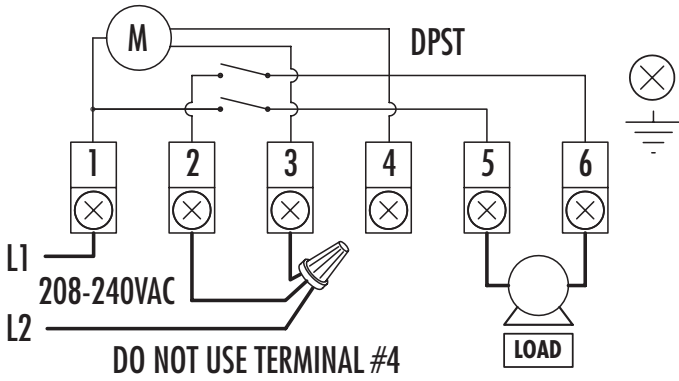
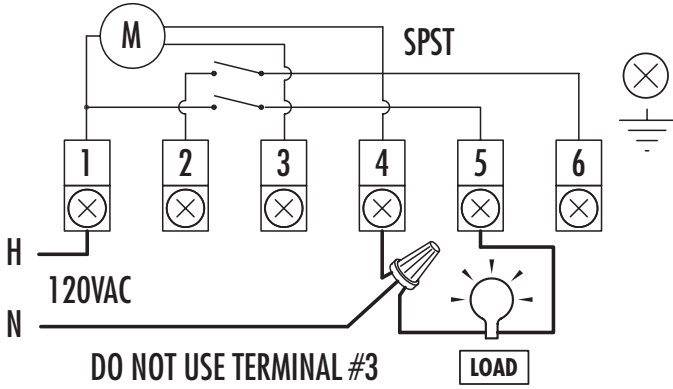
#### ORDERING INFO

CAT. NO.	CERTIFICATION	UPC CODE	INPUT SUPPLY (VAC) 60Hz	OUTPUT CONTACTS	ENCLOSURE TYPE
1109A	cULus	10105	120/208-277	SPST/DPST	Metal Indoor NEMA 1
1109A-O	cULus	10106	120/208-277	SPST/DPST	Metal Indoor/Outdoor NEMA 3

# TORK<sup>®</sup>

## SPECIFICATION SHEET

### WIRING DIAGRAMS



### ENCLOSURE

