



GALVANIZED CONDUIT NIPPLES

UL Listed and Labeled

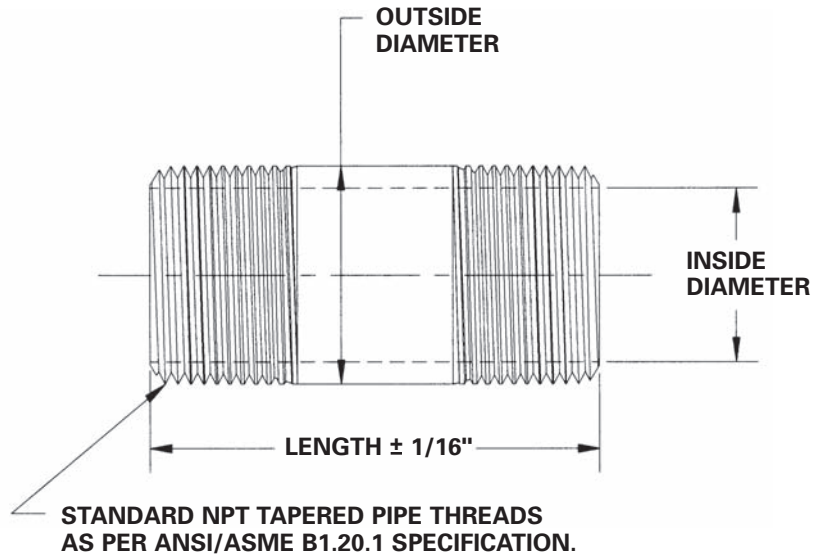
GALVANIZED CONDUIT NIPPLES

CATALOG NUMBER	DESCRIPTION	WEIGHT PER 100 PIECES (lbs)	STANDARD CARTON
GALNIP1/2XCL	1/2X1 1/8 CLOSE GALVANIZED NIPPLE	6	25
GALNIP3/4XCL	3/4X1 3/8 CLOSE GALVANIZED NIPPLE	9	25
GALNIP1XCL	1X1 1/2 CLOSE GALVANIZED NIPPLE	16	25
GALNIP1-1/4XCL	1 1/4X1 5/8 CLOSE GALVANIZED NIPPLE	22	25
GALNIP1-1/2XCL	1 1/2X1 3/4 CLOSE GALVANIZED NIPPLE	28	25
GALNIP2XCL	2X2 CLOSE GALVANIZED NIPPLE	44	25
GALNIP2-1/2XCL	2 1/2X2 1/2 CLOSE GALVANIZED NIPPLE	84	10
GALNIP3XCL	3X2 5/8 CLOSE GALVANIZED NIPPLE	118	10
GALNIP3-1/2XCL	3 1/2X2 3/4 CLOSE GALVANIZED NIPPLE	160	10
GALNIP4XCL	4X2 7/8 CLOSE GALVANIZED NIPPLE	180	10
GALNIP5XCL	5X3 CLOSE GALVANIZED NIPPLE	240	BLK
GALNIP6XCL	6X3 1/8 CLOSE GALVANIZED NIPPLE	350	BLK
GALNIP1/2X1-1/2	1/2X1 1/2 GALVANIZED NIPPLE	8	25
GALNIP3/4X1-1/2	3/4X1 1/2 GALVANIZED NIPPLE	10	25
GALNIP1/2X2	1/2X2 GALVANIZED NIPPLE	12	25
GALNIP3/4X2	3/4X2 GALVANIZED NIPPLE	14	25
GALNIP1X2	1X2 GALVANIZED NIPPLE	22	25
GALNIP1-1/4X2	1 1/4X2 GALVANIZED NIPPLE	28	25
GALNIP1-1/2X2	1 1/2X2 GALVANIZED NIPPLE	34	25
GALNIP1/2X2-1/2	1/2X2 1/2 GALVANIZED NIPPLE	15	25
GALNIP3/4X2-1/2	3/4X2 1/2 GALVANIZED NIPPLE	19	25
GALNIP1X2-1/2	1X2 1/2 GALVANIZED NIPPLE	28	25
GALNIP1-1/4X2-1/2	1 1/4X2 1/2 GALVANIZED NIPPLE	37	25
GALNIP1-1/2X2-1/2	1 1/2X2 1/2 GALVANIZED NIPPLE	44	25
GALNIP2X2-1/2	2X2 1/2 GALVANIZED NIPPLE	59	25
GALNIP1/2X3	1/2X3 GALVANIZED NIPPLE	19	25
GALNIP3/4X3	3/4X3 GALVANIZED NIPPLE	24	25
GALNIP1X3	1X3 GALVANIZED NIPPLE	36	25
GALNIP1-1/4X3	1 1/4X3 GALVANIZED NIPPLE	47	25
GALNIP1-1/2X3	1 1/2X3 GALVANIZED NIPPLE	56	25
GALNIP2X3	2X3 GALVANIZED NIPPLE	72	25
GALNIP2-1/2X3	2 1/2X3 GALVANIZED NIPPLE	100	10
GALNIP3X3	3X3 GALVANIZED NIPPLE	130	10
GALNIP1/2X3-1/2	1/2X3 1/2 GALVANIZED NIPPLE	22	25
GALNIP3/4X3-1/2	3/4X3 1/2 GALVANIZED NIPPLE	28	25
GALNIP1X3-1/2	1X3 1/2 GALVANIZED NIPPLE	43	25
GALNIP1-1/4X3-1/2	1 1/4X3 1/2 GALVANIZED NIPPLE	55	25
GALNIP1-1/2X3-1/2	1 1/2X3 1/2 GALVANIZED NIPPLE	68	25
GALNIP2X3-1/2	2X3 1/2 GALVANIZED NIPPLE	88	25
GALNIP2-1/2X3-1/2	2 1/2X3 1/2 GALVANIZED NIPPLE	120	10
GALNIP3X3-1/2	3X3 1/2 GALVANIZED NIPPLE	157	10

Continued next page

RIGID CONDUIT NIPPLES

RIGID CONDUIT NIPPLES • TYPE - RIGID STEEL AND ALUMINUM



Material - Rigid Steel Conduit - (UL6)
 Aluminum Conduit - (UL6A)

Applicable Specification:
 Underwriters Laboratories - UL 6 for Rigid
 UL 6A for Aluminum

Pipe Size (in.)	Pipe O.D. (in.)	Length Close (in.)	Pipe Nipple Lengths															
			1 1/2	2	2 1/2	3	3 1/2	4	4 1/2	5	5 1/2	6	7	8	9	10	11	12
1/2	0.84	1 1/8	1 1/2	2	2 1/2	3	3 1/2	4	4 1/2	5	5 1/2	6	7	8	9	10	11	12
3/4	1.05	1 3/8	1 1/2	2	2 1/2	3	3 1/2	4	4 1/2	5	5 1/2	6	7	8	9	10	11	12
1	1.315	1 1/2		2	2 1/2	3	3 1/2	4	4 1/2	5	5 1/2	6	7	8	9	10	11	12
1 1/4	1.66	1 5/8		2	2 1/2	3	3 1/2	4	4 1/2	5	5 1/2	6	7	8	9	10	11	12
1 1/2	1.9	1 3/4		2	2 1/2	3	3 1/2	4	4 1/2	5	5 1/2	6	7	8	9	10	11	12
2	2.375	2			2 1/2	3	3 1/2	4	4 1/2	5	5 1/2	6	7	8	9	10	11	12
2 1/2	2.875	2 1/2				3	3 1/2	4	4 1/2	5	5 1/2	6	7	8	9	10	11	12
3	3.5	2 5/8				3	3 1/2	4	4 1/2	5	5 1/2	6	7	8	9	10	11	12
3 1/2	4	2 3/4						4	4 1/2	5	5 1/2	6	7	8	9	10	11	12
4	4.5	2 7/8						4	4 1/2	5	5 1/2	6	7	8	9	10	11	12
5	5.563	3							4 1/2	5	5 1/2	6	7	8	9	10	11	12
6	6.625	3 1/8							4 1/2	5	5 1/2	6	7	8	9	10	11	12



GALVANIZED CONDUIT NIPPLES

UL Listed and Labeled

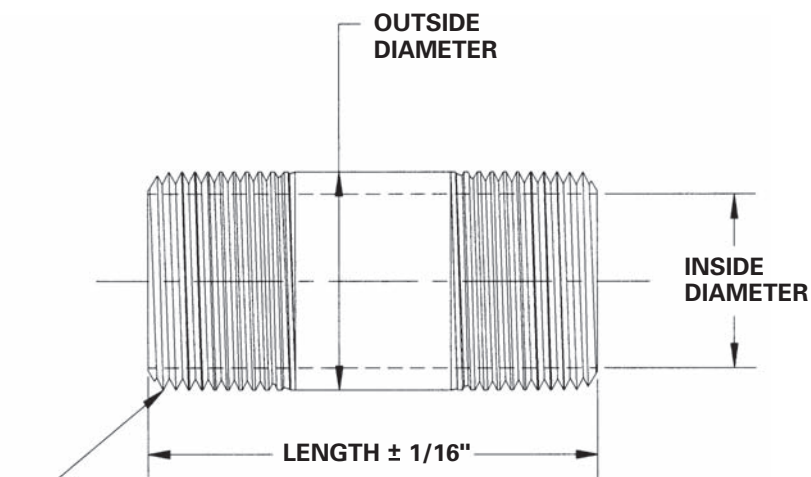
GALVANIZED CONDUIT NIPPLES

CATALOG NUMBER	DESCRIPTION	WEIGHT PER 100 PIECES (lbs)	STANDARD CARTON
GALNIP1/2XCL	1/2X1 1/8 CLOSE GALVANIZED NIPPLE	6	25
GALNIP3/4XCL	3/4X1 3/8 CLOSE GALVANIZED NIPPLE	9	25
GALNIP1XCL	1X1 1/2 CLOSE GALVANIZED NIPPLE	16	25
GALNIP1-1/4XCL	1 1/4X1 5/8 CLOSE GALVANIZED NIPPLE	22	25
GALNIP1-1/2XCL	1 1/2X1 3/4 CLOSE GALVANIZED NIPPLE	28	25
GALNIP2XCL	2X2 CLOSE GALVANIZED NIPPLE	44	25
GALNIP2-1/2XCL	2 1/2X2 1/2 CLOSE GALVANIZED NIPPLE	84	10
GALNIP3XCL	3X2 5/8 CLOSE GALVANIZED NIPPLE	118	10
GALNIP3-1/2XCL	3 1/2X2 3/4 CLOSE GALVANIZED NIPPLE	160	10
GALNIP4XCL	4X2 7/8 CLOSE GALVANIZED NIPPLE	180	10
GALNIP5XCL	5X3 CLOSE GALVANIZED NIPPLE	240	BLK
GALNIP6XCL	6X3 1/8 CLOSE GALVANIZED NIPPLE	350	BLK
GALNIP1/2X1-1/2	1/2X1 1/2 GALVANIZED NIPPLE	8	25
GALNIP3/4X1-1/2	3/4X1 1/2 GALVANIZED NIPPLE	10	25
GALNIP1/2X2	1/2X2 GALVANIZED NIPPLE	12	25
GALNIP3/4X2	3/4X2 GALVANIZED NIPPLE	14	25
GALNIP1X2	1X2 GALVANIZED NIPPLE	22	25
GALNIP1-1/4X2	1 1/4X2 GALVANIZED NIPPLE	28	25
GALNIP1-1/2X2	1 1/2X2 GALVANIZED NIPPLE	34	25
GALNIP1/2X2-1/2	1/2X2 1/2 GALVANIZED NIPPLE	15	25
GALNIP3/4X2-1/2	3/4X2 1/2 GALVANIZED NIPPLE	19	25
GALNIP1X2-1/2	1X2 1/2 GALVANIZED NIPPLE	28	25
GALNIP1-1/4X2-1/2	1 1/4X2 1/2 GALVANIZED NIPPLE	37	25
GALNIP1-1/2X2-1/2	1 1/2X2 1/2 GALVANIZED NIPPLE	44	25
GALNIP2X2-1/2	2X2 1/2 GALVANIZED NIPPLE	59	25
GALNIP1/2X3	1/2X3 GALVANIZED NIPPLE	19	25
GALNIP3/4X3	3/4X3 GALVANIZED NIPPLE	24	25
GALNIP1X3	1X3 GALVANIZED NIPPLE	36	25
GALNIP1-1/4X3	1 1/4X3 GALVANIZED NIPPLE	47	25
GALNIP1-1/2X3	1 1/2X3 GALVANIZED NIPPLE	56	25
GALNIP2X3	2X3 GALVANIZED NIPPLE	72	25
GALNIP2-1/2X3	2 1/2X3 GALVANIZED NIPPLE	100	10
GALNIP3X3	3X3 GALVANIZED NIPPLE	130	10
GALNIP1/2X3-1/2	1/2X3 1/2 GALVANIZED NIPPLE	22	25
GALNIP3/4X3-1/2	3/4X3 1/2 GALVANIZED NIPPLE	28	25
GALNIP1X3-1/2	1X3 1/2 GALVANIZED NIPPLE	43	25
GALNIP1-1/4X3-1/2	1 1/4X3 1/2 GALVANIZED NIPPLE	55	25
GALNIP1-1/2X3-1/2	1 1/2X3 1/2 GALVANIZED NIPPLE	68	25
GALNIP2X3-1/2	2X3 1/2 GALVANIZED NIPPLE	88	25
GALNIP2-1/2X3-1/2	2 1/2X3 1/2 GALVANIZED NIPPLE	120	10
GALNIP3X3-1/2	3X3 1/2 GALVANIZED NIPPLE	157	10

Continued next page

RIGID CONDUIT NIPPLES

RIGID CONDUIT NIPPLES • TYPE - RIGID STEEL AND ALUMINUM



**STANDARD NPT TAPERED PIPE THREADS
AS PER ANSI/ASME B1.20.1 SPECIFICATION.**

Material - Rigid Steel Conduit - (UL6)
Aluminum Conduit - (UL6A)

Applicable Specification:
Underwriters Laboratories - UL 6 for Rigid
UL 6A for Aluminum

Pipe Size (in.)	Pipe O.D. (in.)	Length Close (in.)	Pipe Nipple Lengths															
			1 1/2	2	2 1/2	3	3 1/2	4	4 1/2	5	5 1/2	6	7	8	9	10	11	12
1/2	0.84	1 1/8	1 1/2	2	2 1/2	3	3 1/2	4	4 1/2	5	5 1/2	6	7	8	9	10	11	12
3/4	1.05	1 3/8	1 1/2	2	2 1/2	3	3 1/2	4	4 1/2	5	5 1/2	6	7	8	9	10	11	12
1	1.315	1 1/2		2	2 1/2	3	3 1/2	4	4 1/2	5	5 1/2	6	7	8	9	10	11	12
1 1/4	1.66	1 5/8		2	2 1/2	3	3 1/2	4	4 1/2	5	5 1/2	6	7	8	9	10	11	12
1 1/2	1.9	1 3/4		2	2 1/2	3	3 1/2	4	4 1/2	5	5 1/2	6	7	8	9	10	11	12
2	2.375	2			2 1/2	3	3 1/2	4	4 1/2	5	5 1/2	6	7	8	9	10	11	12
2 1/2	2.875	2 1/2				3	3 1/2	4	4 1/2	5	5 1/2	6	7	8	9	10	11	12
3	3.5	2 5/8				3	3 1/2	4	4 1/2	5	5 1/2	6	7	8	9	10	11	12
3 1/2	4	2 3/4						4	4 1/2	5	5 1/2	6	7	8	9	10	11	12
4	4.5	2 7/8						4	4 1/2	5	5 1/2	6	7	8	9	10	11	12
5	5.563	3							4 1/2	5	5 1/2	6	7	8	9	10	11	12
6	6.625	3 1/8							4 1/2	5	5 1/2	6	7	8	9	10	11	12