



Catalog Number: 12126-SC3R-NK  
Item Description: N3R SCREW COVER ENCL NK  
UPC Code: 784572101388

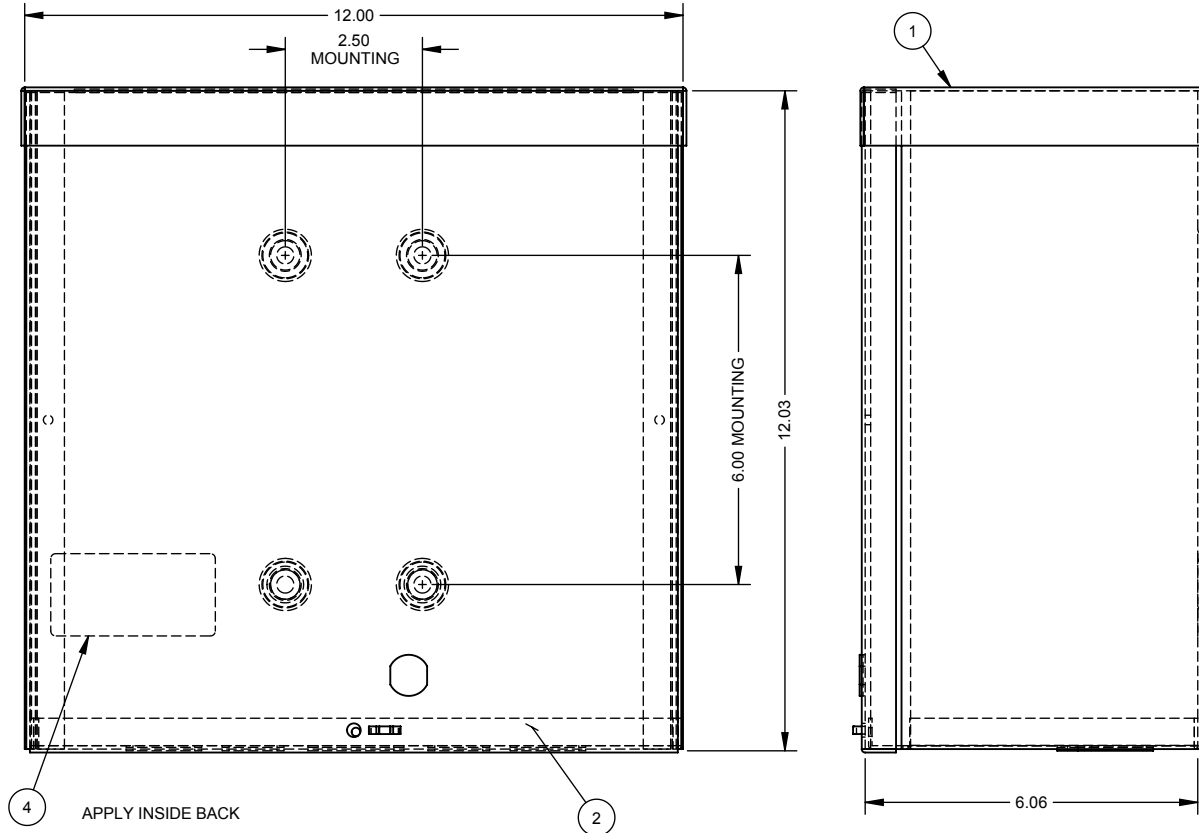
**Brand Name:** Milbank  
**Type:** Screw Cover  
**Special Features:** Drip Shield Top, Cover Secured with Plated Screw, Mounting Embosses on Enclosure Back  
**Application:** Enclosure for Mounting Electrical Equipment  
**Standard:** UL Listed  
**Number Of Outlet:** 0  
**Material:** Steel with Powder Coat Finish  
**Color:** ANSI 61 Gray  
**Mounting:** Wall Mount  
**NEMA Rating:** Type 3R



*Utility requirements may vary. Always consult the serving utility for their requirements prior to ordering or installing this equipment. This product must always be installed by a licensed electrician. Installation of this equipment may require local electrical inspector approval.*

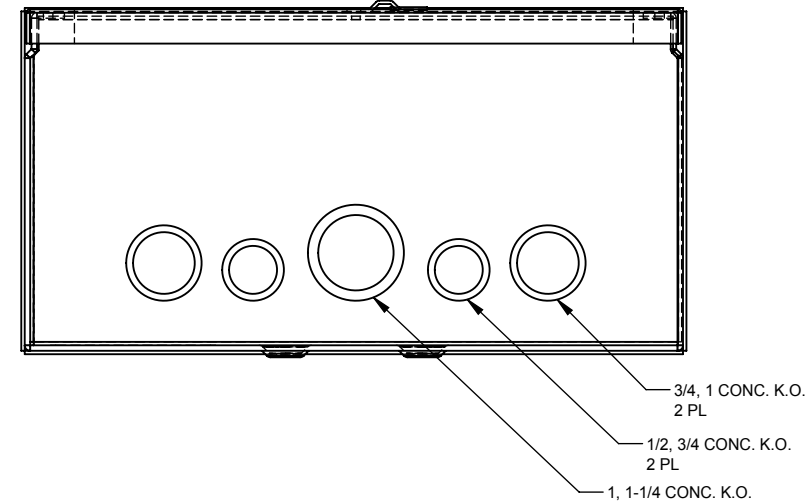
CATALOG#	LABEL#
12126-SC3R	1002135
RC-12126-SC3R	1125021
SPRSC-12126	1132714

ITEM	192/QTY.	PART NUMBER	DESCRIPTION
1	1	(SEE CHART)	BACK WELDMENT
2	1	(SEE CHART)	FRONT
3	1	1002170	BAG OF NEMA SCREWS
4	1	(SEE CHART)	LABEL (UL)




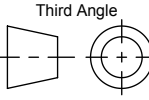
**NOTE:**

1. USE CARTON #1003469 FOR SHIPPING. (3 PER)



SUFFIX	FINISH	WELDMENT NO.	FRONT NO.	INSTALL K.O.s
NONE	MILBANK LIGHT GRAY	1153746	1143508	YES
-NP	NONE	1153747	1010747	
-NK	MILBANK LIGHT GRAY	1153749	1143508	NO
-NK-NP	NONE	1153748	1010747	

NEMA DWG.: #192

Material:	GALVANIZED		 General Offices: Kansas City, MO												
Finish:	MILBANK LIGHT GRAY														
Tolerances: Unless Specified Otherwise X.X ±.1 X.XX ±.03 X.XXX ±.015 X° ±2°		Third Angle 	Title:	12 x 12 x 6 SCREW COVER TYPE 3R ENCLOSURE											
			Catalog No.:	(SEE CHART)											
			Customer:	MILBANK STANDARD											
			Drawing No.:	<b>1001605</b>											
E2	8-4-06	mECO #14958 ADD NOTE 2	CMW	E4	6/10/11	CHART VERSIONS (ECO #20803)	D.F.	Scale:	NTS	Checked By:		Date:	03/12/03	Sheet	1 of 1
E3	5/27/08	ADDED CHART & REMOVED NOTE #2(ECO.17139)	JLT	F	8/9/11	DELETE 1011627; UPDATE CTN NOTE (ECO #21083)	D.F.	Drawn By:	DY	Approved By:					



Catalog Number: 12126-SC3R-NK  
Item Description: N3R SCREW COVER ENCL NK  
UPC Code: 784572101388

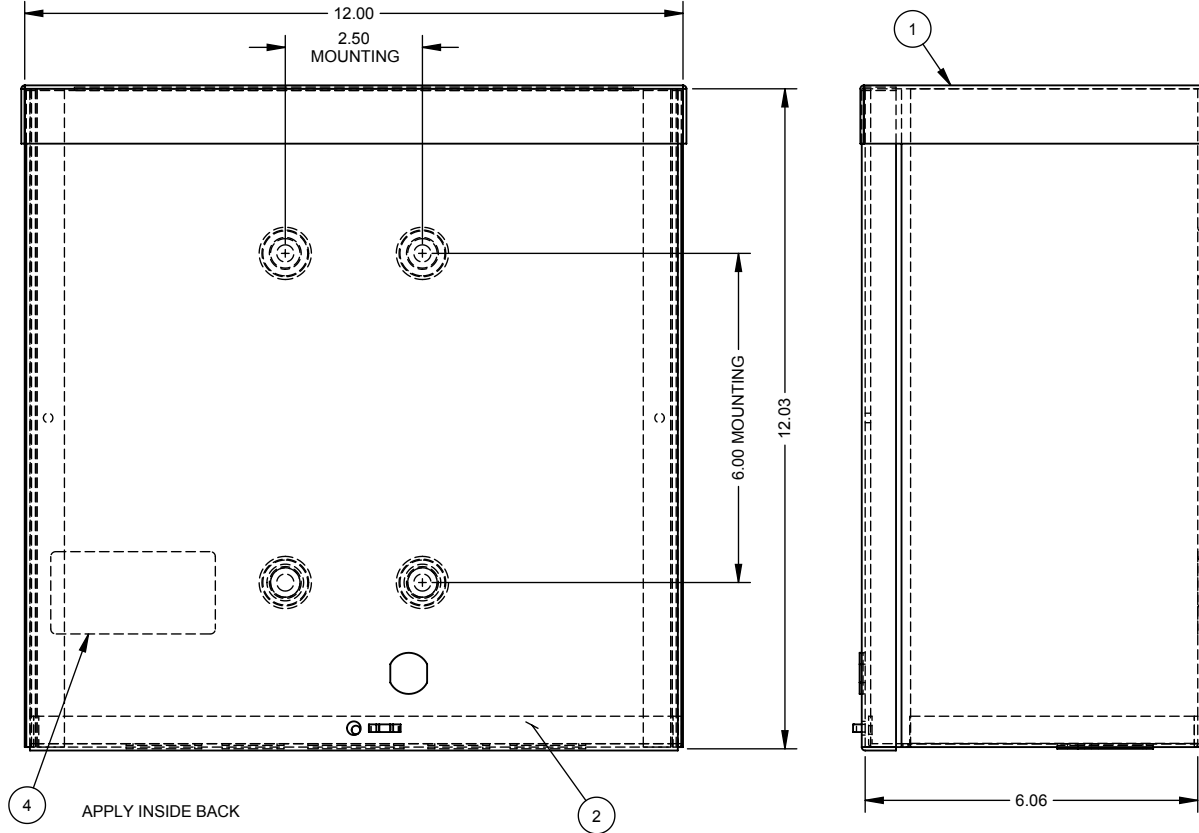
**Brand Name:** Milbank  
**Type:** Screw Cover  
**Special Features:** Drip Shield Top, Cover Secured with Plated Screw, Mounting Embosses on Enclosure Back  
**Application:** Enclosure for Mounting Electrical Equipment  
**Standard:** UL Listed  
**Number Of Outlet:** 0  
**Material:** Steel with Powder Coat Finish  
**Color:** ANSI 61 Gray  
**Mounting:** Wall Mount  
**NEMA Rating:** Type 3R



*Utility requirements may vary. Always consult the serving utility for their requirements prior to ordering or installing this equipment. This product must always be installed by a licensed electrician. Installation of this equipment may require local electrical inspector approval.*

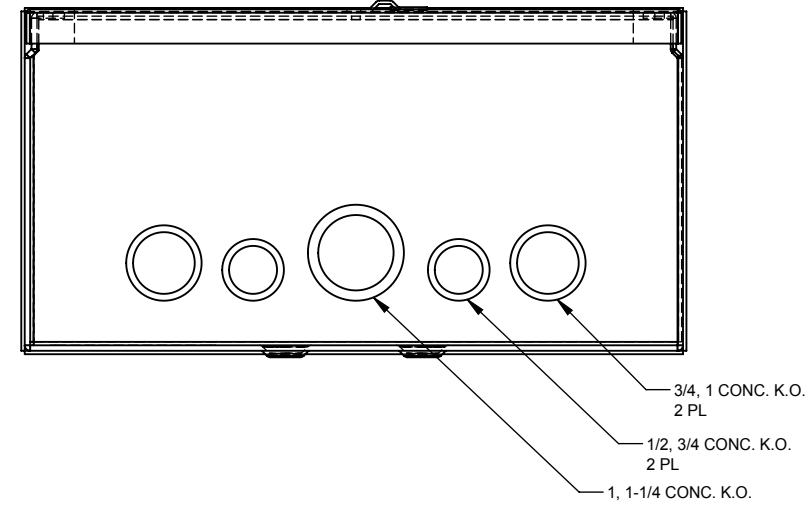
CATALOG#	LABEL#
12126-SC3R	1002135
RC-12126-SC3R	1125021
SPRSC-12126	1132714

ITEM	192/QTY.	PART NUMBER	DESCRIPTION
1	1	(SEE CHART)	BACK WELDMENT
2	1	(SEE CHART)	FRONT
3	1	1002170	BAG OF NEMA SCREWS
4	1	(SEE CHART)	LABEL (UL)




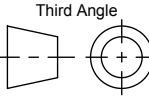
**NOTE:**

1. USE CARTON #1003469 FOR SHIPPING. (3 PER)



SUFFIX	FINISH	WELDMENT NO.	FRONT NO.	INSTALL K.O.s
NONE	MILBANK LIGHT GRAY	1153746	1143508	YES
-NP	NONE	1153747	1010747	
-NK	MILBANK LIGHT GRAY	1153749	1143508	NO
-NK-NP	NONE	1153748	1010747	

NEMA DWG.: #192

Material:	GALVANIZED		 General Offices: Kansas City, MO												
Finish:	MILBANK LIGHT GRAY														
Tolerances: Unless Specified Otherwise X.X ±.1 X.XX ±.03 X.XXX ±.015 X° ±2°		Third Angle 	Title:	12 x 12 x 6 SCREW COVER TYPE 3R ENCLOSURE											
			Catalog No.:	(SEE CHART)											
			Customer:	MILBANK STANDARD											
			Drawing No.:	<b>1001605</b>											
E2	8-4-06	mECO #14958 ADD NOTE 2	CMW	E4	6/10/11	CHART VERSIONS (ECO #20803)	D.F.	Scale:	NTS	Checked By:		Date:	03/12/03	Sheet	1 of 1
E3	5/27/08	ADDED CHART & REMOVED NOTE #2(ECO.17139)	JLT	F	8/9/11	DELETE 1011627; UPDATE CTN NOTE (ECO #21083)	D.F.	Drawn By:	DY	Approved By:					