

# CABLE MANAGEMENT SOLUTIONS



## Type 1 Wireway Fittings

TYPE 1 ENCLOSURES

TYPE 3 AND 3R ENCLOSURES

CABLE MANAGEMENT SOLUTIONS

UTILITY AND STORAGE CABINETS

HARDWARE AND ACCESSORIES

CUSTOM ENCLOSURE SOLUTIONS



**Reducer – Powder Coated**

| CATALOG NUMBER | UPC (761515) | SIZE   | WGT | LIST PRICE |
|----------------|--------------|--------|-----|------------|
| 64R            | 10989        | 6to4   | 1   | \$68.89    |
| 84R            | 10990        | 8to4   | 2   | \$77.78    |
| 104R           | 10992        | 10to4  | 3   | \$79.78    |
| 86R            | 10994        | 8to6   | 2   | \$84.44    |
| 106R           | 10996        | 10to6  | 3   | \$93.33    |
| 108R           | 10997        | 10to8  | 3   | \$102.22   |
| 128R           | 10998        | 12to8  | 3   | \$106.67   |
| 1210R          | 10999        | 12to10 | 3   | \$133.33   |



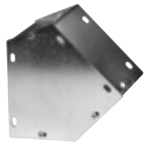
**Reducer – Galvanized**

| CATALOG NUMBER | UPC (761515) | SIZE   | WGT | LIST PRICE |
|----------------|--------------|--------|-----|------------|
| 64RG           | 38013        | 6to4   | 1   | \$68.89    |
| 84RG           | 38015        | 8to4   | 2   | \$77.78    |
| 104RG          | 38017        | 10to4  | 3   | \$79.98    |
| 86RG           | 38019        | 8to6   | 2   | \$84.44    |
| 106RG          | 38021        | 10to6  | 3   | \$93.33    |
| 108RG          | 38023        | 10to8  | 3   | \$102.22   |
| 128RG          | 38025        | 12to8  | 3   | \$106.67   |
| 1210RG         | 38027        | 12to10 | 3   | \$133.33   |



**45° Elbow – Powder Coated**

| CATALOG NUMBER | UPC (761515) | SIZE (W"xH") | WGT | LIST PRICE |
|----------------|--------------|--------------|-----|------------|
| 44L45          | 11018        | 4x4          | 2   | \$53.33    |
| 66L45          | 11020        | 6x6          | 3   | \$66.67    |
| 88L45          | 11022        | 8x8          | 6   | \$102.22   |
| 1010L45        | 11024        | 10x10        | 8   | \$151.11   |
| 1212L45        | 11026        | 12x12        | 10  | \$200.00   |



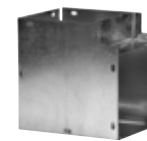
**45° Elbow – Galvanized**

| CATALOG NUMBER | UPC (761515) | SIZE (W"xH") | WGT | LIST PRICE |
|----------------|--------------|--------------|-----|------------|
| 44L45G         | 11019        | 4x4          | 2   | \$53.33    |
| 66L45G         | 11021        | 6x6          | 3   | \$66.67    |
| 88L45G         | 11025        | 8x8          | 6   | \$102.22   |
| 1010L45G       | 11028        | 10x10        | 8   | \$151.11   |
| 1212L45G       | 11029        | 12x12        | 10  | \$200.00   |



**90° Elbow – Powder Coated**

| CATALOG NUMBER | UPC (761515) | SIZE (W"xH") | WGT | LIST PRICE |
|----------------|--------------|--------------|-----|------------|
| 44L            | 11002        | 4x4          | 3   | \$54.44    |
| 66L            | 11006        | 6x6          | 5   | \$68.89    |
| 88L            | 11010        | 8x8          | 8   | \$102.22   |
| 1010L          | 11012        | 10x10        | 15  | \$151.11   |
| 1212L          | 11014        | 12x12        | 20  | \$200.00   |



**90° Elbow – Galvanized**

| CATALOG NUMBER | UPC (761515) | SIZE (W"xH") | WGT | LIST PRICE |
|----------------|--------------|--------------|-----|------------|
| 44LG           | 11003        | 4x4          | 3   | \$54.44    |
| 66LG           | 11007        | 6x6          | 5   | \$68.89    |
| 88LG           | 11011        | 8x8          | 8   | \$102.22   |
| 1010LG         | 11013        | 10x10        | 15  | \$151.11   |
| 1212LG         | 11015        | 12x12        | 20  | \$200.00   |



**90° Sweep Elbow – Powder Coated**

| CATALOG NUMBER | UPC (761515) | SIZE (W"xH") | WGT | LIST PRICE |
|----------------|--------------|--------------|-----|------------|
| 44SL           | 11603        | 4x4          | 3   | \$100.90   |
| 66SL           | 11607        | 6x6          | 6   | \$115.36   |
| 88SL           | 11611        | 8x8          | 9   | \$204.16   |
| 1010SL         | 11613        | 10x10        | 12  | \$286.72   |
| 1212SL         | 11615        | 12x12        | 16  | \$386.56   |



**90° Sweep Elbow – Galvanized**

| CATALOG NUMBER | UPC (761515) | SIZE (W"xH") | WGT | LIST PRICE |
|----------------|--------------|--------------|-----|------------|
| 44SLG          | 18002        | 4x4          | 3   | \$100.90   |
| 66SLG          | 18003        | 6x6          | 6   | \$115.36   |
| 88SLG          | 18004        | 8x8          | 9   | \$204.16   |
| 1010SLG        | 18005        | 10x10        | 12  | \$286.72   |
| 1212SLG        | 18006        | 12x12        | 16  | \$386.56   |



**Inside Outside 90° Elbow – Powder Coated**

| CATALOG NUMBER | UPC (761515) | SIZE (W"xH") | WGT | LIST PRICE |
|----------------|--------------|--------------|-----|------------|
| 44INXL         | 11521        | 4x4          | 3   | \$74.44    |
| 66INXL         | 11523        | 6x6          | 5   | \$84.88    |
| 88INXL         | 11525        | 8x8          | 8   | \$102.22   |
| 1010INXL       | 11527        | 10x10        | 15  | \$151.11   |
| 1212INXL       | 11529        | 12x12        | 20  | \$200.00   |



**Inside Outside 90° Elbow – Galvanized**

| CATALOG NUMBER | UPC (761515) | SIZE (W"xH") | WGT | LIST PRICE |
|----------------|--------------|--------------|-----|------------|
| 44INXLG        | 11531        | 4x4          | 3   | \$74.44    |
| 66INXLG        | 11533        | 6x6          | 5   | \$84.88    |
| 88INXLG        | 11535        | 8x8          | 8   | \$102.22   |
| 1010INXLG      | 11537        | 10x10        | 15  | \$151.11   |
| 1212INXLG      | 11539        | 12x12        | 20  | \$200.00   |



**Cross – Powder Coated**

| CATALOG NUMBER | UPC (761515) | SIZE (W"xH") | WGT | LIST PRICE |
|----------------|--------------|--------------|-----|------------|
| 44X            | 11032        | 4x4          | 3   | \$71.11    |
| 66X            | 11034        | 6x6          | 6   | \$100.00   |
| 88X            | 11036        | 8x8          | 8   | \$142.22   |
| 1010X          | 11038        | 10x10        | 15  | \$222.22   |
| 1212X          | 11040        | 12x12        | 17  | \$266.67   |



**Cross – Galvanized**

| CATALOG NUMBER | UPC (761515) | SIZE (W"xH") | WGT | LIST PRICE |
|----------------|--------------|--------------|-----|------------|
| 44XG           | 11033        | 4x4          | 3   | \$71.11    |
| 66XG           | 11035        | 6x6          | 6   | \$100.00   |
| 88XG           | 11037        | 8x8          | 8   | \$142.22   |
| 1010XG         | 11039        | 10x10        | 15  | \$222.22   |
| 1212XG         | 11041        | 12x12        | 17  | \$266.67   |

# CABLE MANAGEMENT SOLUTIONS



## Type 1 Wireway Fittings



**End Cap – Powder Coated**

| CATALOG NUMBER | UPC (761515) | SIZE (W"xH") | WGT  | LIST PRICE |
|----------------|--------------|--------------|------|------------|
| 44E            | 10810        | 4x4          | 0.5  | \$7.11     |
| 66E            | 10830        | 6x6          | 0.75 | \$11.11    |
| 88E            | 10850        | 8x8          | 2    | \$13.33    |
| 1010E          | 10870        | 10x10        | 2    | \$24.44    |
| 1212E          | 10890        | 12x12        | 4    | \$28.89    |



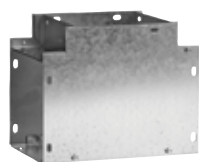
**End Cap – Galvanized**

| CATALOG NUMBER | UPC (761515) | SIZE (W"xH") | WGT  | LIST PRICE |
|----------------|--------------|--------------|------|------------|
| 44EG           | 10811        | 4x4          | 0.5  | \$7.11     |
| 66EG           | 10831        | 6x6          | 0.75 | \$11.11    |
| 88EG           | 10851        | 8x8          | 2    | \$13.33    |
| 1010EG         | 10871        | 10x10        | 2    | \$24.44    |
| 1212EG         | 10891        | 12x12        | 4    | \$28.89    |



**Tee – Powder Coated**

| CATALOG NUMBER | UPC (761515) | SIZE (W"xH") | WGT | LIST PRICE |
|----------------|--------------|--------------|-----|------------|
| 44T            | 10972        | 4x4          | 3   | \$62.22    |
| 66T            | 10976        | 6x6          | 5   | \$86.67    |
| 88T            | 10980        | 8x8          | 9   | \$133.33   |
| 1010T          | 10984        | 10x10        | 15  | \$222.22   |
| 1212T          | 10988        | 12x12        | 20  | \$284.44   |



**Tee – Galvanized**

| CATALOG NUMBER | UPC (761515) | SIZE (W"xH") | WGT | LIST PRICE |
|----------------|--------------|--------------|-----|------------|
| 44TG           | 10973        | 4x4          | 3   | \$62.22    |
| 66TG           | 10974        | 6x6          | 5   | \$86.67    |
| 88TG           | 10975        | 8x8          | 9   | \$133.33   |
| 1010TG         | 10977        | 10x10        | 15  | \$222.22   |
| 1212TG         | 10978        | 12x12        | 20  | \$284.44   |



**Sweep Tee – Powder Coated**

| CATALOG NUMBER | UPC (761515) | SIZE (W"xH") | WGT | LIST PRICE |
|----------------|--------------|--------------|-----|------------|
| 44ST           | 11501        | 4x4          | 4   | \$100.90   |
| 66ST           | 11503        | 6x6          | 6   | \$115.36   |
| 88ST           | 11505        | 8x8          | 10  | \$204.16   |
| 1010ST         | 11507        | 10x10        | 16  | \$286.72   |
| 1212ST         | 11509        | 12x12        | 21  | \$386.56   |



**Sweep Tee – Galvanized**

| CATALOG NUMBER | UPC (761515) | SIZE (W"xH") | WGT | LIST PRICE |
|----------------|--------------|--------------|-----|------------|
| 44STG          | 11511        | 4x4          | 4   | \$100.90   |
| 66STG          | 11513        | 6x6          | 6   | \$115.36   |
| 88STG          | 11515        | 8x8          | 10  | \$204.16   |
| 1010STG        | 11517        | 10x10        | 16  | \$286.72   |
| 1212STG        | 11519        | 12x12        | 21  | \$386.56   |



**Connector – Galvanized**

| CATALOG NUMBER | UPC (761515) | SIZE (W"xH") | WGT  | LIST PRICE |
|----------------|--------------|--------------|------|------------|
| 44C            | 10901        | 4x4          | 0.4  | \$7.11     |
| 66C            | 10903        | 6x6          | 0.5  | \$11.11    |
| 88C            | 10905        | 8x8          | 1    | \$13.33    |
| 1010C          | 10907        | 10x10        | 1.25 | \$24.44    |
| 1212C          | 10909        | 12x12        | 2    | \$28.89    |



**Gutter Flange – Galvanized**

| CATALOG NUMBER | UPC (761515) | SIZE (W"xH") | WGT  | LIST PRICE |
|----------------|--------------|--------------|------|------------|
| 44GF           | 10942        | 4x4          | 0.25 | \$22.22    |
| 66GF           | 10946        | 6x6          | 1    | \$31.11    |
| 88GF           | 10950        | 8x8          | 1    | \$44.44    |
| 1010GF         | 10954        | 10x10        | 1    | \$66.67    |
| 1212GF         | 10958        | 12x12        | 1    | \$88.89    |



**Combination Hangers – Galvanized**

| CATALOG NUMBER | UPC (761515) | SIZE (W"xH") | WGT | LIST PRICE |
|----------------|--------------|--------------|-----|------------|
| 24HG           | 47010        | 2x4          | 4.5 | \$22.00    |
| 68HG           | 47021        | 6x8          | 8   | \$30.89    |
| 1012HG         | 47025        | 10x12        | 17  | \$77.78    |



**Wireway Dividers – Powder Coated**

| CATALOG NUMBER | UPC (761515) | SIZE (W"xH") | WGT  | LIST PRICE |
|----------------|--------------|--------------|------|------------|
| 4X60DIV        | 11653        | 4x60         | 4.05 | \$54.04    |
| 6X60DIV        | 11655        | 6x60         | 5.85 | \$57.92    |
| 8X60DIV        | 11657        | 8x60         | 7.65 | \$61.80    |



**Wireway Dividers – Galvanized**

| CATALOG NUMBER | UPC (761515) | SIZE (W"xH") | WGT  | LIST PRICE |
|----------------|--------------|--------------|------|------------|
| 4X60DIVG       | 11654        | 4x60         | 4.05 | \$54.04    |
| 6X60DIVG       | 11656        | 6x60         | 5.85 | \$57.92    |
| 8X60DIVG       | 11658        | 8x60         | 7.65 | \$61.80    |



**Support Brackets**

| CATALOG NUMBER | UPC (761515) | SIZE (W"xH") | WGT  | LIST PRICE |
|----------------|--------------|--------------|------|------------|
| 44SB           | 60420        | 4x4          | 0.4  | \$17.00    |
| 66SB           | 60422        | 6x6          | 0.5  | \$25.00    |
| 88SB           | 60424        | 8x8          | 0.75 | \$33.00    |

TYPE 1 ENCLOSURES

TYPE 3 AND 3R ENCLOSURES

CABLE MANAGEMENT SOLUTIONS

UTILITY AND STORAGE CABINETS

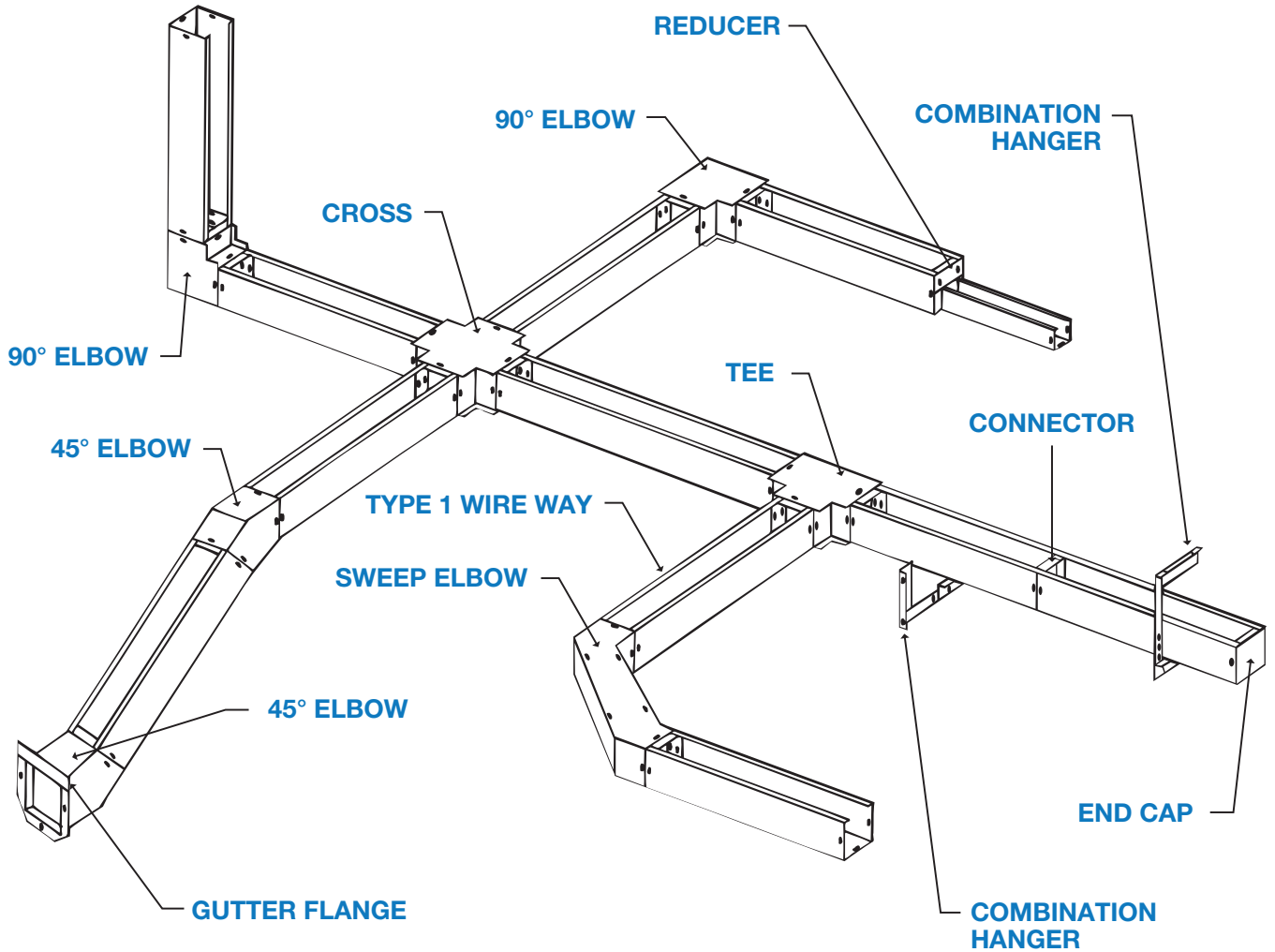
HARDWARE AND ACCESSORIES

CUSTOM ENCLOSURE SOLUTIONS

# CABLE MANAGEMENT SOLUTIONS



- This drawing is for illustration purposes only and does not depict any particular installation method
- Top or bottom on all Elbows, Tees and Crosses are removable for lay-in wire or cable installation
- All Elbows, Tees and Crosses can be used in the vertical or horizontal plane
- WW covers are not shown for illustration only
- Dividers available



TYPE 1 ENCLOSURES

TYPE 3 AND 3R ENCLOSURES

CABLE MANAGEMENT SOLUTIONS

UTILITY AND STORAGE CABINETS

HARDWARE AND ACCESSORIES

CUSTOM ENCLOSURE SOLUTIONS