

# Horns

## Vibrating

### 118 and 123A Series



118 Series DC and 123A Series AC Midi Vibrating Horns are designed primarily for security systems and for signaling devices on an OEM basis. Supplied with mounting bracket and simply attaches to mounting surface using #8-32 screw.

#### Features and Specifications

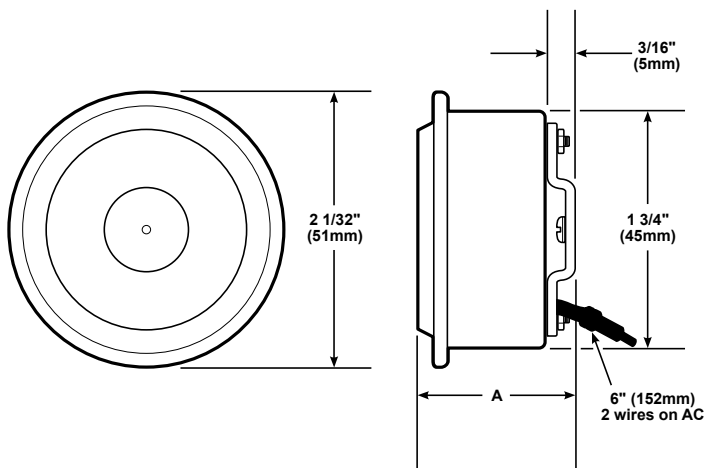
- Low power drain
- Compact size
- Shock resistant
- Easy surface mount installation
- Operating temperature range: -40°F to 180°F (-40°C to 82°C)

#### Ordering Information

Description	Cat. No.	Operating Voltage	Current	VA	dB at 1m/10ft.	DC Coil Res (Ohms)
DC	118-E1	12V DC	0.07 A	0.84	96/86	25.5
	118-G1	24V DC	0.03 A	0.72	96/86	102.0
AC 60 Hz	123A-E5	12V AC	0.4 A	4.8	96/86	10.0
	123A-G5	24V AC	0.2 A	4.8	96/86	40.0
	123A-N5	120V AC	0.04 A	4.8	96/86	1200.0

#### Weights and Dimensions

Cat. No.	Approx. Net Weight (lb.)	Approx. Shipping Weight (lb.)	Dimensions (A)
118-E1	0.19	0.25	1 11/64" (30mm)
118-G1	0.19	0.25	1 11/64" (30mm)
123A-E5	0.19	0.25	1 3/16" (30mm)
123A-G5	0.19	0.25	1 3/16" (30mm)
123A-N5	0.19	0.25	1 3/16" (30mm)



# Horns

## Vibrating

### 118 and 123A Series



118 Series DC and 123A Series AC Midi Vibrating Horns are designed primarily for security systems and for signaling devices on an OEM basis. Supplied with mounting bracket and simply attaches to mounting surface using #8-32 screw.

#### Features and Specifications

- Low power drain
- Compact size
- Shock resistant
- Easy surface mount installation
- Operating temperature range: -40°F to 180°F (-40°C to 82°C)

#### Ordering Information

Description	Cat. No.	Operating Voltage	Current	VA	dB at 1m/10ft.	DC Coil Res (Ohms)
DC	118-E1	12V DC	0.07 A	0.84	96/86	25.5
	118-G1	24V DC	0.03 A	0.72	96/86	102.0
AC 60 Hz	123A-E5	12V AC	0.4 A	4.8	96/86	10.0
	123A-G5	24V AC	0.2 A	4.8	96/86	40.0
	123A-N5	120V AC	0.04 A	4.8	96/86	1200.0

#### Weights and Dimensions

Cat. No.	Approx. Net Weight (lb.)	Approx. Shipping Weight (lb.)	Dimensions (A)
118-E1	0.19	0.25	1 11/64" (30mm)
118-G1	0.19	0.25	1 11/64" (30mm)
123A-E5	0.19	0.25	1 3/16" (30mm)
123A-G5	0.19	0.25	1 3/16" (30mm)
123A-N5	0.19	0.25	1 3/16" (30mm)

