

# Beacons Flashing Xenon 125 Class



Edwards 125 Class Xenon strobe beacons are UL and cUL listed signaling devices, available in two versions, normal light output and high light output. Both versions feature a corrosion resistant NEMA Type 3R and 4X enclosure and be panel or conduit mounted. Base material is gray or black, manufactured from a 33% glass filled nylon, providing a high resistance to heat and chemicals. The lens is made of shatter-resistant polycarbonate.

## Features and Specifications

- Xenon strobe light source
- Flash rate 65 fpm
- Shatter-resistant polycarbonate lens
- Gray or black glass filled nylon base
- Available in normal or high light output
- Suitable for indoor and outdoor applications
- For outdoor use, lens should face up
- Option for panel or conduit mounting
- NEMA Type 3R and 4X enclosure
- Operating temperature range: -31°F to 150°F (-35°C to 66°C)



3.25"



## Ordering Information

Description	Cat. No.	Operating Voltage <sup>1</sup>	Current	Base Color	Lens Colors	Replacement	
						Lens	Strobe Tube
High Output 300,000 peak candela	125STRHA120A	120V AC	0.120 A	Gray	Amber	125LA	
	125STRHB120A	120V AC	0.120 A	Gray	Blue	125LB	
	125STRHC120A	120V AC	0.120 A	Gray	Clear	125LC	91B-ST
	125STRHG120A	120V AC	0.120 A	Gray	Green	125LG	
	125STRHR120A	120V AC	0.120 A	Gray	Red	125LR	
	125STRHA120AB	120V AC	0.120 A	Black	Amber	125LA	
	125STRHB120AB	120V AC	0.120 A	Black	Blue	125LB	
	125STRHC120AB	120V AC	0.120 A	Black	Clear	125LC	91B-ST
	125STRHG120AB	120V AC	0.120 A	Black	Green	125LG	
	125STRHR120AB	120V AC	0.120 A	Black	Red	125LR	
Normal Output 175,000 peak candela	125STRNA120A	120V AC	0.100 A	Gray	Amber	125LA	
	125STRNB120A	120V AC	0.100 A	Gray	Blue	125LB	
	125STRNC120A	120V AC	0.100 A	Gray	Clear	125LC	91B-ST
	125STRNG120A	120V AC	0.100 A	Gray	Green	125LG	
	125STRNR120A	120V AC	0.100 A	Gray	Red	125LR	
	125STRNA120AB	120V AC	0.100 A	Black	Amber	125LA	
	125STRNB120AB	120V AC	0.100 A	Black	Blue	125LB	
	125STRNC120AB	120V AC	0.100 A	Black	Clear	125LC	91B-ST
	125STRNG120AB	120V AC	0.100 A	Black	Green	125LG	
	125STRNR120AB	120V AC	0.100 A	Black	Red	125LR	
	125STRNA240A	240V AC	0.050 A	Gray	Amber	125LA	
	125STRNB240A	240V AC	0.050 A	Gray	Blue	125LB	
	125STRNC240A	240V AC	0.050 A	Gray	Clear	125LC	91B-ST
	125STRNG240A	240V AC	0.050 A	Gray	Green	125LG	
	125STRNR240A	240V AC	0.050 A	Gray	Red	125LR	
	125STRNA240AB	240V AC	0.050 A	Black	Amber	125LA	
	125STRNB240AB	240V AC	0.050 A	Black	Blue	125LB	
	125STRNC240AB	240V AC	0.050 A	Black	Clear	125LC	91B-ST
125STRNG240AB	240V AC	0.050 A	Black	Green	125LG		
125STRNR240AB	240V AC	0.050 A	Black	Red	125LR		

<sup>1</sup>AC voltage frequency is 50/60 Hz



# Beacons Flashing Xenon 125 Class



Ordering Information		Continued					Replacement	
Description	Cat. No.	Operating Voltage	Current	Base Color	Lens Colors	Replacement		
						Lens	Strobe Tube	
Normal Output 175,000 peak candela	125STRNA1248D	12-48V DC	0.350 A	Gray	Amber	125LA	114-ST	
	125STRNB1248D	12-48V DC	0.350 A	Gray	Blue	125LB		
	125STRNC1248D	12-48V DC	0.350 A	Gray	Clear	125LC		
	125STRNG1248D	12-48V DC	0.350 A	Gray	Green	125LG		
	125STRNR1248D	12-48V DC	0.350 A	Gray	Red	125LR		
	125STRNA1248DB	12-48V DC	0.350 A	Black	Amber	125LA	114-ST	
	125STRNB1248DB	12-48V DC	0.350 A	Black	Blue	125LB		
	125STRNC1248DB	12-48V DC	0.350 A	Black	Clear	125LC		
	125STRNG1248DB	12-48V DC	0.350 A	Black	Green	125LG		
	125STRNR1248DB	12-48V DC	0.350 A	Black	Red	125LR		

Accessories	
Description	Cat. No.
Protective Wire Guard	125GRD
Corner Mount Bracket	CBR
Wall Mount Bracket	WBR



125GRD  
Protective Wire Guard



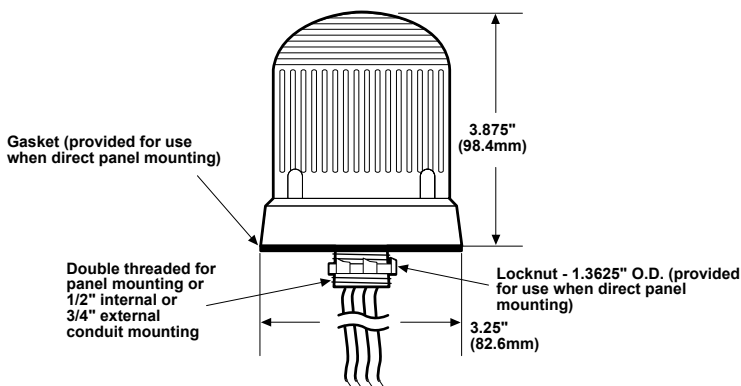
CBR  
Corner Mount Bracket



WBR  
Wall Mount Bracket

Weights and Dimensions		
Cat. No.	Approx. Net Weight (lb.)	Approx. Shipping Weight (lb.)
125STRH*120A	0.51	0.6
125STRH*120AB	0.51	0.6
125STRN*120A	0.52	0.61
125STRN*240A	0.52	0.61
125STRN*120AB	0.52	0.61
125STRN*240AB	0.52	0.61
125STRN*1248D	0.52	0.61
125STRN*1248DB	0.52	0.61
125GRD	0.61	0.77
CBR	4.00	4.20
WBR	2.30	2.50

\*Letter in this position designates lens color: A - amber, B - blue, C - clear, G - green, or R - red



# Beacons Flashing Xenon 125 Class



Edwards 125 Class Xenon strobe beacons are UL and cUL listed signaling devices, available in two versions, normal light output and high light output. Both versions feature a corrosion resistant NEMA Type 3R and 4X enclosure and be panel or conduit mounted. Base material is gray or black, manufactured from a 33% glass filled nylon, providing a high resistance to heat and chemicals. The lens is made of shatter-resistant polycarbonate.

## Features and Specifications

- Xenon strobe light source
- Flash rate 65 fpm
- Shatter-resistant polycarbonate lens
- Gray or black glass filled nylon base
- Available in normal or high light output
- Suitable for indoor and outdoor applications
- For outdoor use, lens should face up
- Option for panel or conduit mounting
- NEMA Type 3R and 4X enclosure
- Operating temperature range: -31°F to 150°F (-35°C to 66°C)



3.25"



## Ordering Information

Description	Cat. No.	Operating Voltage <sup>1</sup>	Current	Base Color	Lens Colors	Replacement	
						Lens	Strobe Tube
High Output 300,000 peak candela	125STRHA120A	120V AC	0.120 A	Gray	Amber	125LA	
	125STRHB120A	120V AC	0.120 A	Gray	Blue	125LB	
	125STRHC120A	120V AC	0.120 A	Gray	Clear	125LC	91B-ST
	125STRHG120A	120V AC	0.120 A	Gray	Green	125LG	
	125STRHR120A	120V AC	0.120 A	Gray	Red	125LR	
	125STRHA120AB	120V AC	0.120 A	Black	Amber	125LA	
	125STRHB120AB	120V AC	0.120 A	Black	Blue	125LB	
	125STRHC120AB	120V AC	0.120 A	Black	Clear	125LC	91B-ST
	125STRHG120AB	120V AC	0.120 A	Black	Green	125LG	
	125STRHR120AB	120V AC	0.120 A	Black	Red	125LR	
Normal Output 175,000 peak candela	125STRNA120A	120V AC	0.100 A	Gray	Amber	125LA	
	125STRNB120A	120V AC	0.100 A	Gray	Blue	125LB	
	125STRNC120A	120V AC	0.100 A	Gray	Clear	125LC	91B-ST
	125STRNG120A	120V AC	0.100 A	Gray	Green	125LG	
	125STRNR120A	120V AC	0.100 A	Gray	Red	125LR	
	125STRNA120AB	120V AC	0.100 A	Black	Amber	125LA	
	125STRNB120AB	120V AC	0.100 A	Black	Blue	125LB	
	125STRNC120AB	120V AC	0.100 A	Black	Clear	125LC	91B-ST
	125STRNG120AB	120V AC	0.100 A	Black	Green	125LG	
	125STRNR120AB	120V AC	0.100 A	Black	Red	125LR	
	125STRNA240A	240V AC	0.050 A	Gray	Amber	125LA	
	125STRNB240A	240V AC	0.050 A	Gray	Blue	125LB	
	125STRNC240A	240V AC	0.050 A	Gray	Clear	125LC	91B-ST
	125STRNG240A	240V AC	0.050 A	Gray	Green	125LG	
	125STRNR240A	240V AC	0.050 A	Gray	Red	125LR	
	125STRNA240AB	240V AC	0.050 A	Black	Amber	125LA	
	125STRNB240AB	240V AC	0.050 A	Black	Blue	125LB	
	125STRNC240AB	240V AC	0.050 A	Black	Clear	125LC	91B-ST
125STRNG240AB	240V AC	0.050 A	Black	Green	125LG		
125STRNR240AB	240V AC	0.050 A	Black	Red	125LR		

<sup>1</sup>AC voltage frequency is 50/60 Hz



# Beacons Flashing Xenon 125 Class



Ordering Information		Continued					Replacement	
Description	Cat. No.	Operating Voltage	Current	Base Color	Lens Colors	Replacement		
						Lens	Strobe Tube	
Normal Output 175,000 peak candela	125STRNA1248D	12-48V DC	0.350 A	Gray	Amber	125LA	114-ST	
	125STRNB1248D	12-48V DC	0.350 A	Gray	Blue	125LB		
	125STRNC1248D	12-48V DC	0.350 A	Gray	Clear	125LC		
	125STRNG1248D	12-48V DC	0.350 A	Gray	Green	125LG		
	125STRNR1248D	12-48V DC	0.350 A	Gray	Red	125LR		
	125STRNA1248DB	12-48V DC	0.350 A	Black	Amber	125LA	114-ST	
	125STRNB1248DB	12-48V DC	0.350 A	Black	Blue	125LB		
	125STRNC1248DB	12-48V DC	0.350 A	Black	Clear	125LC		
	125STRNG1248DB	12-48V DC	0.350 A	Black	Green	125LG		
	125STRNR1248DB	12-48V DC	0.350 A	Black	Red	125LR		

Accessories	
Description	Cat. No.
Protective Wire Guard	125GRD
Corner Mount Bracket	CBR
Wall Mount Bracket	WBR



125GRD  
Protective Wire Guard



CBR  
Corner Mount Bracket



WBR  
Wall Mount Bracket

Weights and Dimensions		
Cat. No.	Approx. Net Weight (lb.)	Approx. Shipping Weight (lb.)
125STRH*120A	0.51	0.6
125STRH*120AB	0.51	0.6
125STRN*120A	0.52	0.61
125STRN*240A	0.52	0.61
125STRN*120AB	0.52	0.61
125STRN*240AB	0.52	0.61
125STRN*1248D	0.52	0.61
125STRN*1248DB	0.52	0.61
125GRD	0.61	0.77
CBR	4.00	4.20
WBR	2.30	2.50

\*Letter in this position designates lens color: A - amber, B - blue, C - clear, G - green, or R - red

