

TEMPORARY LUMINAIRES

TIGER 400 HID TEMPORARY LUMINAIRES

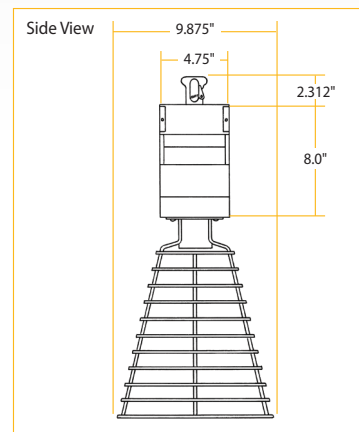
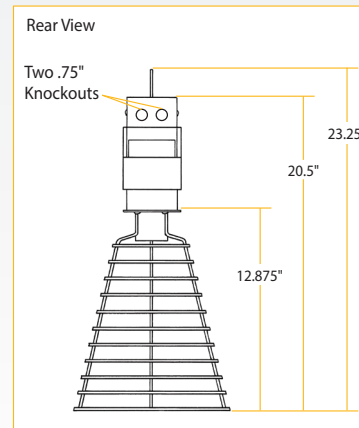
- UL Listed. Suitable for use in damp locations.
- Complies with the 2007 Energy Independence and Security Act (EISA).*
- Meets the requirements of the 2017 National Electrical Code: Articles 410.62(C)(1) and (2), 410.104(A), 410.130(F)(5) and 590.4(F).
- Compact size, lightweight and balanced construction.
- Easy to carry and install.

PULSE-START BALLAST

- Reliable, durable, maintenance free performance!
- A cost-effective solution to incandescent string lighting.
- Faster warm-up time (2 min. vs. 4 min.)
- Faster "hot" restrike (3-4 min. vs. 15-20 min.)
- Improved cold weather starting performance.
- Pre-wired at the factory for 120V operation. The multi-tap ballast can be re-configured for 208V, 240V or 277V applications.
- Improved efficacy (up to 45% more lumens per watt).

FIXTURE LAMP WITH CERAMIC ARC TUBE

- Improved lumen maintenance (up to 25%).
- Reduced color shift — more consistent lamp-to-lamp color.
- 15,000+ hours lamp life — up to 30% improvement over traditional probe-start luminaires.
- Higher initial lumen output.
- Superior color rendering and light stability.



TIGER 400 HID

TYPICAL APPLICATIONS:

- Construction Sites
- Industrial Facilities
- Arena Lighting
- High Rise Buildings
- Manufacturing Facilities
- Large Retail Centers
- Big Box Stores
- Discount Warehouses

METAL HALIDE LAMP SPECIFICATIONS

	Color Temperature	Lumen Output	Average Rated Life (In Hours)	Color Rendering Index	Voltage	(AMPs)
TIGER 400 HID	4000K	38,000	15,000	60	120	3.25

In compliance with EISA, EPCO's TIGER 400-Watt luminaire clearly displays a capital letter "E" printed within a circle (Ⓔ) on the product carton and the ballast as specified by the Federal Trade Commission (FTC).

† The Illuminating Engineering Society of North America (IESNA), the authority in lighting, categorizes spaces as either high-bay (greater than 30-feet) or low-bay (less than 25-feet).

Catalog Number	UPC Number	Description	Order Unit	Unit Qty	Unit Pkg	Units/Case	TL Case Qty	Min Order Qty	MM Req	Ship Wt (Lbs)
TIGER 400 HID Temporary Lighting										
15702	15702	TIGER 400 HID Temporary Luminaire: 400-Watt Type-0 Metal Halide Lamp, 3-Foot Cord, Safety Cage and Lamp Guard	EA	1	BX	1	1	1	No	22
15752	15752	Type-0 400-Watt Metal Halide Lamp: Pulse-Start	EA	1	BX	20	20	1	No	2
HID Temporary Lighting Accessories										
15760*	15760	Universal Replacement HID Safety Cage and Lamp Guard: Clamp Mount	EA	1	BX	5	5	1	No	2

*Note: Fits majority of manufacturer's HID Type-O and Type-S Temporary HID Luminaires.

UNITS OF MEASURE KEY

Order Unit: The Unit to be ordered; Order Qty: Number of pieces in each Unit; Unit Pkg: Packaging types - BG (Bag), BX (Box), BRL (Barrel); Units/Case: Unit packages contained in the Case; TL Case Qty: The total number of items in each Master Case; Min Order Qty: The smallest Unit that can be ordered; MM Req: Must order multiples of the Unit in the stated quantities; Ship Wt (Lbs): Total weight of the units per Carton

www.engproducts.com

5401 SMETANA DRIVE | MINNETONKA, MN 55343

P 800.336.1976 | F 800.336.2801

Specifications subject to change without prior notice.



ENGINEERED PRODUCTS CO.

TEMPORARY LUMINAIRES

TIGRESS 105-WATT CFL TEMPORARY LUMINAIRE

Engineered Products Company's TIGRESS Temporary Luminaire is a low cost, energy efficient lighting solution that is highly functional for use in low to medium bay lighting applications and a recommended alternative to metal halide luminaires.

A 105-Watt Compact Fluorescent Lamp is included and provides a productive work environment during building construction or major renovation, consumes less than one-half of the total energy costs compared to metal halide lamps, and is approximately 3 to 5 times more efficient than standard incandescent lamps and can last up to 10 times longer.

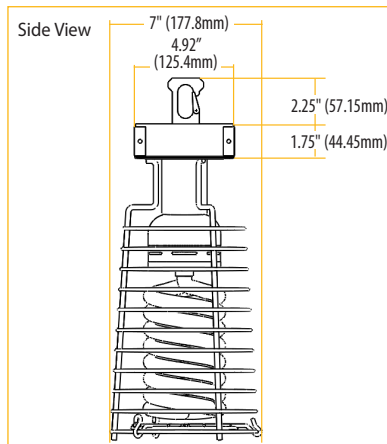
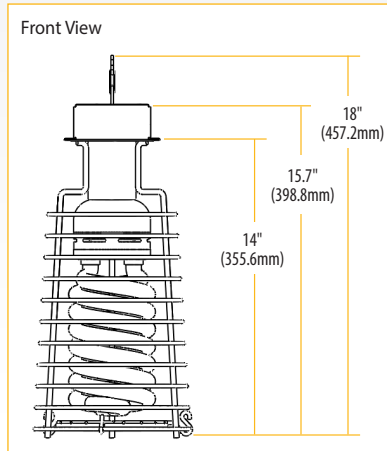
BENEFITS

- Meets the requirements of the 2017 National Electrical Code: Articles 410.62(C)(1) and (2), 410.104(A), 410.130(F)(5) and 590.4(F).
- Compact size, lightweight and balanced construction.
- Certification Standard: ETL Listed.
- Low maintenance and operating cost.
- Reliable, durable, maintenance free performance!
- Long lamp life.
- CFL lamp will not decay significantly when compared to metal halide lamps.
- Suitable for compact spaces — minimum 10-foot height.
- Instant restart in the event of a power outage.

FEATURES

- High luminous efficacy and durability.
- Steel housing; durable white powder-coat finish.
- Heavy-duty 11 AWG welded Lamp Guard — Silver.
- Hanging Hook.
- For 120V operation ONLY.
- Cord Type: 18/3 SJTW.
- Cord Length: 5-Feet (1524mm).

Note: For use in dry environments only!



- ### TYPICAL APPLICATIONS:
- Parking Garages
 - Grocery Stores
 - Retail Stores
 - Mezzanine Areas
 - Outdoor Areas
 - Schools and University Gymnasiums
 - New Building Construction or Renovation

105-Watt COMPACT FLUORESCENT LAMP SPECIFICATIONS

	Incandescent Equivalent*	Minimum Starting Temperature	Color Temperature	Lumen Output	Lumens per Watt	Average Rated Life (In Hours)	Color Rendering Index	Voltage	(AMPs)
TIGRESS 105-Watt CFL	300-Watt	10°F (-12°C)	5000K	6900	65	8,000	82	120	.875

*Equivalent to 175-Watt metal halide lamp (including lumen depreciation).

Catalog Number	UPC Number	Description	Order Unit	Unit Qty	Unit Pkg	Units/Case	TL Case Qty	Min Order Qty	MM Req	Ship Wt (Lbs)
15720	15720	TIGRESS Temporary Luminaire: 105-Watt Compact Fluorescent Lamp, 5-Foot Cord, Safety Cage and Lamp Guard	EA	1	BX	1	1	1	No	7
15725	15725	105-Watt Compact Fluorescent Lamp - T4 Coil Type	EA	1	BX	10	10	1	No	1

UNITS OF MEASURE KEY

Order Unit: The Unit to be ordered; **Order Qty:** Number of pieces in each Unit; **Unit Pkg:** Packaging types - BG (Bag), BX (Box), BRL (Barrel); **Units/Case:** Unit packages contained in the Case; **TL Case Qty:** The total number of items in each Master Case; **Min Order Qty:** The smallest Unit that can be ordered; **MM Req:** Must order multiples of the Unit in the stated quantities; **Ship Wt (Lbs):** Total weight of the units per Carton

Specifications subject to change without prior notice.

DELUXE CORDLIGHTS

- Deluxe CordLights are UL Listed and comply with UL Standard 1088 for Temporary Lighting Strings. File Number: E190858. Meets all OSHA Standards and meets the requirements of the 2017 National Electrical Code: Article 590.4(F).
- Intended for severe environments and are impervious to dust, dirt, chemical vapors, salt spray and other corrosive elements.
- Suitable for indoor and outdoor use.
- Weather-resistant lamp sockets feature rigid-mounted eyelets for hooks or wire to expedite and simplify hanging.
- Unique open and secure closure clasp on the heavy-duty Safety Cage easily facilitates bulb changes.
- Constructed of heavy-duty 14/2, 14/3 or 12/3 SJTW round cord (15 AMPS) with a 167°F (75°C) temperature rating.
- A patented detent "snap-off, snap-on" fitting on the lamp socket enables quick replacement if the Safety Cage becomes damaged. U.S. Patent Number: D.439,697.
- Recommended for use with A21 LED lamp (P/N 15681) or A23 incandescent lamp (150-Watt maximum).



TYPICAL APPLICATIONS

- Construction Sites
- Parking Lots
- Walkways
- Festivals
- Circus Tents
- Christmas Tree Lots
- Farmers' Markets

Catalog Number	UPC Number	Description	Order Unit	Unit Qty	Unit Pkg	Units/Case	TL Case Qty	Min Order Qty	MM Req	Ship Wt (Lbs)
Deluxe CordLights										
16010†	16010	Deluxe CordLights: 14/2 SJTW Round Cord, 100-Foot Length, 10-Foot Centers (without Plug) - Yellow	EA	1	BX	1	1	1	No	13
16350†	16350	Deluxe CordLights: 12/3 SJTW Round Cord, 100-Foot Length, 10-Foot Centers (without Plug) - Yellow	EA	1	BX	1	1	1	No	19
16353†	16353	Deluxe CordLights: 12/3 SJTW Round Cord, 100-Foot Length, 10-Foot Centers (with Molded Plug) - Yellow	EA	1	BX	1	1	1	No	19
16100	16100	Safety Cage: for Deluxe CordLight - Yellow	EA	1	BX	10	10	10	Yes	1
15681	15681	LED A21 Lamp: 15.5-Watt, 5000K, dimmable, Energy Star Rated; Lumen output is equal to 100-Watt incandescent lamp	EA	1	BX	12	12	1	No	1

† UL Standard 1008 - Article 17.2 - lamp guard shall be constructed of polymeric material. The actual molded product is polypropylene. Flame class is V-0 meets UL 746C.

UNITS OF MEASURE KEY

Order Unit: The Unit to be ordered; Order Qty: Number of pieces in each Unit; Unit Pkg: Packaging types - BG (Bag), BX (Box), BRL (Barrel); Units/Case: Unit packages contained in the Case; TL Case Qty: The total number of items in each Master Case; Min Order Qty: The smallest Unit that can be ordered; MM Req: Must order multiples of the Unit in the stated quantities; Ship Wt (Lbs): Total weight of the units per Carton

Specifications subject to change without prior notice.

TEMPORARY LUMINAIRES

CORDLIGHT ACCESSORIES

PIGTAIL LAMP SOCKET

- A patented detent "snap-off, snap-on" fitting on the lamp socket enables quick replacement if the Safety Cage becomes damaged. Can be used with EPCO Safety Cage (P/N: 16100).
- Suitable for indoor or outdoor use.
- 6-Inch leads, pre-stripped 5/8" (.625").
- Recommended for use with A21 LED lamp (P/N 15681) or A23 incandescent lamp (150-Watt maximum).



P/N 16100



PIGTAIL LAMP SOCKET

INSULATION PIERCING LAMP SOCKET

- Suitable for indoor and outdoor use.
- Integrally designed terminals and contacts provide a superior electrical connection.
- Use with 12 or 14 AWG THHN insulated stranded wire.
- No cutting, stripping, wire nuts or soldering required.
- Can be used with EPCO Safety Cage (P/N: 16110).
- Recommended for use with A21 LED lamp (P/N 15681) or A23 incandescent lamp (150-Watt maximum).



P/N 16110



INSULATION PIERCING LAMP SOCKET

Catalog Number	UPC Number	Description	Order Unit	Unit Qty	Unit Pkg	Units/Case	TL Case Qty	Min Order Qty	MM Req	Ship Wt (Lbs)
16022	16022	Insulation Piercing Lamp Socket	EA	5	BG	0	0	5	Yes	1
16023	16023	Pigtail Lamp Socket: with 6-Inch Leads	EA	5	BG	0	0	5	Yes	1
16100	16100	Safety Cage: for Deluxe CordLight - Yellow	EA	1	BX	10	10	10	Yes	1
16110	16110	Safety Cage: for Insulation Piercing Lamp Socket - Yellow	EA	1	BX	10	10	10	Yes	1
15681	15681	LED A21 Lamp: 15.5-Watt, 5000K, dimmable, Energy Star Rated; Lumen output is equal to 100-Watt incandescent lamp	EA	1	BX	12	12	1	No	1

PRODUCT WARRANTY

Unless otherwise noted, Engineered Products Company (herein known as EPCO) warrants that the products described herein, will be furnished free from defects in material and workmanship for one (1) year. Any exceptions to this Warranty Statement will be detailed within the respective warranty section in this product catalog, noted on the product itself, or the product packaging.

EPCO's sole obligation for any breach of warranty under the terms herein shall be, at our option, to repair or provide replacement for the Product to which such warranty is breached, or to return all payments made with respect to such product. Any product(s) that are deemed to be defective must be specified by the Purchaser in a written notice to EPCO's Warranty Department within one (1) year after receipt of such goods. Under no circumstances will EPCO be liable for loss of profits or incidental, indirect, consequential or special damages of any kind beyond the replacement cost of the defective merchandise.

EPCO shall not be liable for any losses arising from governmental action, an act of God, or the result of war, riot, strikes, civil commotion, sovereign conduct, or the act or conduct of any person or persons not party to or associated with EPCO.

UNITS OF MEASURE KEY

Order Unit: The Unit to be ordered; **Order Qty:** Number of pieces in each Unit; **Unit Pkg:** Packaging types - BG (Bag), BX (Box), BRL (Barrel); **Units/Case:** Unit packages contained in the Case; **TL Case Qty:** The total number of items in each Master Case; **Min Order Qty:** The smallest Unit that can be ordered; **MM Req:** Must order multiples of the Unit in the stated quantities; **Ship Wt (Lbs):** Total weight of the units per Carton

E02-040-001 F1 (05/18-BB)
©2018 Engineered Products Company. All Rights Reserved.
TIGER 400 and TIGRESS are trademarks of Engineered Products Company.

www.engproducts.com

5401 SMETANA DRIVE | MINNETONKA, MN 55343

P 800.336.1976 | F 800.336.2801

Specifications subject to change without prior notice.



ENGINEERED PRODUCTS CO.

TEMPORARY LUMINAIRES

TIGER 400 HID TEMPORARY LUMINAIRES

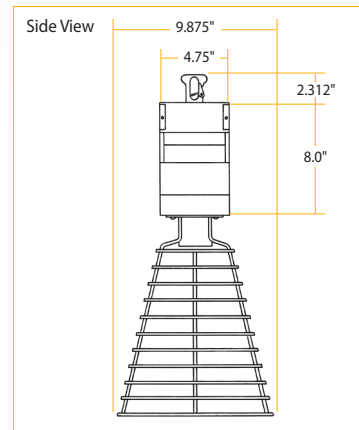
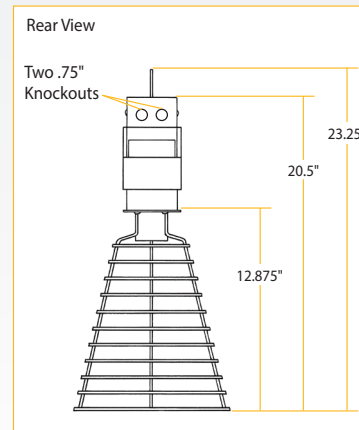
- UL Listed. Suitable for use in damp locations.
- Complies with the 2007 Energy Independence and Security Act (EISA).*
- Meets the requirements of the 2017 National Electrical Code: Articles 410.62(C)(1) and (2), 410.104(A), 410.130(F)(5) and 590.4(F).
- Compact size, lightweight and balanced construction.
- Easy to carry and install.

PULSE-START BALLAST

- Reliable, durable, maintenance free performance!
- A cost-effective solution to incandescent string lighting.
- Faster warm-up time (2 min. vs. 4 min.)
- Faster "hot" restrike (3-4 min. vs. 15-20 min.)
- Improved cold weather starting performance.
- Pre-wired at the factory for 120V operation. The multi-tap ballast can be re-configured for 208V, 240V or 277V applications.
- Improved efficacy (up to 45% more lumens per watt).

FIXTURE LAMP WITH CERAMIC ARC TUBE

- Improved lumen maintenance (up to 25%).
- Reduced color shift — more consistent lamp-to-lamp color.
- 15,000+ hours lamp life — up to 30% improvement over traditional probe-start luminaires.
- Higher initial lumen output.
- Superior color rendering and light stability.



TIGER 400 HID

TYPICAL APPLICATIONS:

- Construction Sites
- Industrial Facilities
- Arena Lighting
- High Rise Buildings
- Manufacturing Facilities
- Large Retail Centers
- Big Box Stores
- Discount Warehouses

METAL HALIDE LAMP SPECIFICATIONS

	Color Temperature	Lumen Output	Average Rated Life (In Hours)	Color Rendering Index	Voltage	(AMPs)
TIGER 400 HID	4000K	38,000	15,000	60	120	3.25

In compliance with EISA, EPCO's TIGER 400-Watt luminaire clearly displays a capital letter "E" printed within a circle (Ⓔ) on the product carton and the ballast as specified by the Federal Trade Commission (FTC).

† The Illuminating Engineering Society of North America (IESNA), the authority in lighting, categorizes spaces as either high-bay (greater than 30-feet) or low-bay (less than 25-feet).

Catalog Number	UPC Number	Description	Order Unit	Unit Qty	Unit Pkg	Units/Case	TL Case Qty	Min Order Qty	MM Req	Ship Wt (Lbs)
TIGER 400 HID Temporary Lighting										
15702	15702	TIGER 400 HID Temporary Luminaire: 400-Watt Type-0 Metal Halide Lamp, 3-Foot Cord, Safety Cage and Lamp Guard	EA	1	BX	1	1	1	No	22
15752	15752	Type-0 400-Watt Metal Halide Lamp: Pulse-Start	EA	1	BX	20	20	1	No	2
HID Temporary Lighting Accessories										
15760*	15760	Universal Replacement HID Safety Cage and Lamp Guard: Clamp Mount	EA	1	BX	5	5	1	No	2

*Note: Fits majority of manufacturer's HID Type-O and Type-S Temporary HID Luminaires.

UNITS OF MEASURE KEY

Order Unit: The Unit to be ordered; Order Qty: Number of pieces in each Unit; Unit Pkg: Packaging types - BG (Bag), BX (Box), BRL (Barrel); Units/Case: Unit packages contained in the Case; TL Case Qty: The total number of items in each Master Case; Min Order Qty: The smallest Unit that can be ordered; MM Req: Must order multiples of the Unit in the stated quantities; Ship Wt (Lbs): Total weight of the units per Carton

www.engproducts.com

5401 SMETANA DRIVE | MINNETONKA, MN 55343

P 800.336.1976 | F 800.336.2801

Specifications subject to change without prior notice.



ENGINEERED PRODUCTS CO.

TEMPORARY LUMINAIRES

TIGRESS 105-WATT CFL TEMPORARY LUMINAIRE

Engineered Products Company's TIGRESS Temporary Luminaire is a low cost, energy efficient lighting solution that is highly functional for use in low to medium bay lighting applications and a recommended alternative to metal halide luminaires.

A 105-Watt Compact Fluorescent Lamp is included and provides a productive work environment during building construction or major renovation, consumes less than one-half of the total energy costs compared to metal halide lamps, and is approximately 3 to 5 times more efficient than standard incandescent lamps and can last up to 10 times longer.

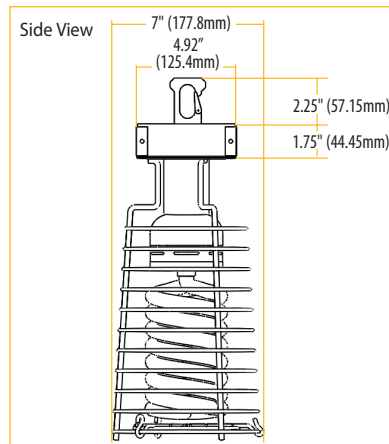
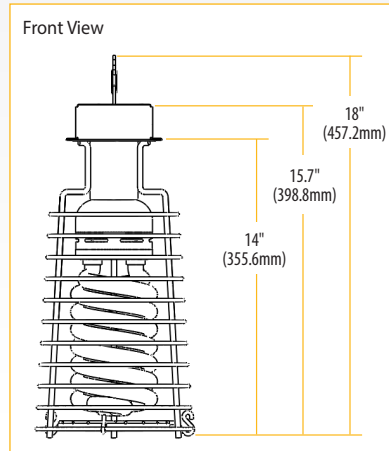
BENEFITS

- Meets the requirements of the 2017 National Electrical Code: Articles 410.62(C)(1) and (2), 410.104(A), 410.130(F)(5) and 590.4(F).
- Compact size, lightweight and balanced construction.
- Certification Standard: ETL Listed.
- Low maintenance and operating cost.
- Reliable, durable, maintenance free performance!
- Long lamp life.
- CFL lamp will not decay significantly when compared to metal halide lamps.
- Suitable for compact spaces — minimum 10-foot height.
- Instant restart in the event of a power outage.

FEATURES

- High luminous efficacy and durability.
- Steel housing; durable white powder-coat finish.
- Heavy-duty 11 AWG welded Lamp Guard — Silver.
- Hanging Hook.
- For 120V operation ONLY.
- Cord Type: 18/3 SJTW.
- Cord Length: 5-Feet (1524mm).

Note: For use in dry environments only!



- ### TYPICAL APPLICATIONS:
- Parking Garages
 - Grocery Stores
 - Retail Stores
 - Mezzanine Areas
 - Outdoor Areas
 - Schools and University Gymnasiums
 - New Building Construction or Renovation

105-Watt COMPACT FLUORESCENT LAMP SPECIFICATIONS

	Incandescent Equivalent*	Minimum Starting Temperature	Color Temperature	Lumen Output	Lumens per Watt	Average Rated Life (In Hours)	Color Rendering Index	Voltage	(AMPs)
TIGRESS 105-Watt CFL	300-Watt	10°F (-12°C)	5000K	6900	65	8,000	82	120	.875

*Equivalent to 175-Watt metal halide lamp (including lumen depreciation).

Catalog Number	UPC Number	Description	Order Unit	Unit Qty	Unit Pkg	Units/Case	TL Case Qty	Min Order Qty	MM Req	Ship Wt (Lbs)
15720	15720	TIGRESS Temporary Luminaire: 105-Watt Compact Fluorescent Lamp, 5-Foot Cord, Safety Cage and Lamp Guard	EA	1	BX	1	1	1	No	7
15725	15725	105-Watt Compact Fluorescent Lamp - T4 Coil Type	EA	1	BX	10	10	1	No	1

UNITS OF MEASURE KEY

Order Unit: The Unit to be ordered; **Order Qty:** Number of pieces in each Unit; **Unit Pkg:** Packaging types - BG (Bag), BX (Box), BRL (Barrel); **Units/Case:** Unit packages contained in the Case; **TL Case Qty:** The total number of items in each Master Case; **Min Order Qty:** The smallest Unit that can be ordered; **MM Req:** Must order multiples of the Unit in the stated quantities; **Ship Wt (Lbs):** Total weight of the units per Carton

Specifications subject to change without prior notice.

DELUXE CORDLIGHTS

- Deluxe CordLights are UL Listed and comply with UL Standard 1088 for Temporary Lighting Strings. File Number: E190858. Meets all OSHA Standards and meets the requirements of the 2017 National Electrical Code: Article 590.4(F).
- Intended for severe environments and are impervious to dust, dirt, chemical vapors, salt spray and other corrosive elements.
- Suitable for indoor and outdoor use.
- Weather-resistant lamp sockets feature rigid-mounted eyelets for hooks or wire to expedite and simplify hanging.
- Unique open and secure closure clasp on the heavy-duty Safety Cage easily facilitates bulb changes.
- Constructed of heavy-duty 14/2, 14/3 or 12/3 SJTW round cord (15 AMPS) with a 167°F (75°C) temperature rating.
- A patented detent "snap-off, snap-on" fitting on the lamp socket enables quick replacement if the Safety Cage becomes damaged. U.S. Patent Number: D.439,697.
- Recommended for use with A21 LED lamp (P/N 15681) or A23 incandescent lamp (150-Watt maximum).



TYPICAL APPLICATIONS

- Construction Sites
- Parking Lots
- Walkways
- Festivals
- Circus Tents
- Christmas Tree Lots
- Farmers' Markets

Catalog Number	UPC Number	Description	Order Unit	Unit Qty	Unit Pkg	Units/Case	TL Case Qty	Min Order Qty	MM Req	Ship Wt (Lbs)
Deluxe CordLights										
16010†	16010	Deluxe CordLights: 14/2 SJTW Round Cord, 100-Foot Length, 10-Foot Centers (without Plug) - Yellow	EA	1	BX	1	1	1	No	13
16350†	16350	Deluxe CordLights: 12/3 SJTW Round Cord, 100-Foot Length, 10-Foot Centers (without Plug) - Yellow	EA	1	BX	1	1	1	No	19
16353†	16353	Deluxe CordLights: 12/3 SJTW Round Cord, 100-Foot Length, 10-Foot Centers (with Molded Plug) - Yellow	EA	1	BX	1	1	1	No	19
16100	16100	Safety Cage: for Deluxe CordLight - Yellow	EA	1	BX	10	10	10	Yes	1
15681	15681	LED A21 Lamp: 15.5-Watt, 5000K, dimmable, Energy Star Rated; Lumen output is equal to 100-Watt incandescent lamp	EA	1	BX	12	12	1	No	1

† UL Standard 1008 - Article 17.2 - lamp guard shall be constructed of polymeric material. The actual molded product is polypropylene. Flame class is V-0 meets UL 746C.

UNITS OF MEASURE KEY

Order Unit: The Unit to be ordered; Order Qty: Number of pieces in each Unit; Unit Pkg: Packaging types - BG (Bag), BX (Box), BRL (Barrel); Units/Case: Unit packages contained in the Case; TL Case Qty: The total number of items in each Master Case; Min Order Qty: The smallest Unit that can be ordered; MM Req: Must order multiples of the Unit in the stated quantities; Ship Wt (Lbs): Total weight of the units per Carton

Specifications subject to change without prior notice.

TEMPORARY LUMINAIRES

CORDLIGHT ACCESSORIES

PIGTAIL LAMP SOCKET

- A patented detent "snap-off, snap-on" fitting on the lamp socket enables quick replacement if the Safety Cage becomes damaged. Can be used with EPCO Safety Cage (P/N: 16100).
- Suitable for indoor or outdoor use.
- 6-Inch leads, pre-stripped 5/8" (.625").
- Recommended for use with A21 LED lamp (P/N 15681) or A23 incandescent lamp (150-Watt maximum).



P/N 16100



PIGTAIL LAMP SOCKET

INSULATION PIERCING LAMP SOCKET

- Suitable for indoor and outdoor use.
- Integrally designed terminals and contacts provide a superior electrical connection.
- Use with 12 or 14 AWG THHN insulated stranded wire.
- No cutting, stripping, wire nuts or soldering required.
- Can be used with EPCO Safety Cage (P/N: 16110).
- Recommended for use with A21 LED lamp (P/N 15681) or A23 incandescent lamp (150-Watt maximum).



P/N 16110



INSULATION PIERCING LAMP SOCKET

Catalog Number	UPC Number	Description	Order Unit	Unit Qty	Unit Pkg	Units/Case	TL Case Qty	Min Order Qty	MM Req	Ship Wt (Lbs)
16022	16022	Insulation Piercing Lamp Socket	EA	5	BG	0	0	5	Yes	1
16023	16023	Pigtail Lamp Socket: with 6-Inch Leads	EA	5	BG	0	0	5	Yes	1
16100	16100	Safety Cage: for Deluxe CordLight - Yellow	EA	1	BX	10	10	10	Yes	1
16110	16110	Safety Cage: for Insulation Piercing Lamp Socket - Yellow	EA	1	BX	10	10	10	Yes	1
15681	15681	LED A21 Lamp: 15.5-Watt, 5000K, dimmable, Energy Star Rated; Lumen output is equal to 100-Watt incandescent lamp	EA	1	BX	12	12	1	No	1

PRODUCT WARRANTY

Unless otherwise noted, Engineered Products Company (herein known as EPCO) warrants that the products described herein, will be furnished free from defects in material and workmanship for one (1) year. Any exceptions to this Warranty Statement will be detailed within the respective warranty section in this product catalog, noted on the product itself, or the product packaging.

EPCO's sole obligation for any breach of warranty under the terms herein shall be, at our option, to repair or provide replacement for the Product to which such warranty is breached, or to return all payments made with respect to such product. Any product(s) that are deemed to be defective must be specified by the Purchaser in a written notice to EPCO's Warranty Department within one (1) year after receipt of such goods. Under no circumstances will EPCO be liable for loss of profits or incidental, indirect, consequential or special damages of any kind beyond the replacement cost of the defective merchandise.

EPCO shall not be liable for any losses arising from governmental action, an act of God, or the result of war, riot, strikes, civil commotion, sovereign conduct, or the act or conduct of any person or persons not party to or associated with EPCO.

UNITS OF MEASURE KEY

Order Unit: The Unit to be ordered; **Order Qty:** Number of pieces in each Unit; **Unit Pkg:** Packaging types - BG (Bag), BX (Box), BRL (Barrel); **Units/Case:** Unit packages contained in the Case; **TL Case Qty:** The total number of items in each Master Case; **Min Order Qty:** The smallest Unit that can be ordered; **MM Req:** Must order multiples of the Unit in the stated quantities; **Ship Wt (Lbs):** Total weight of the units per Carton

E02-040-001 F1 (05/18-BB)
©2018 Engineered Products Company. All Rights Reserved.
TIGER 400 and TIGRESS are trademarks of Engineered Products Company.

www.engproducts.com

5401 SMETANA DRIVE | MINNETONKA, MN 55343

P 800.336.1976 | F 800.336.2801

Specifications subject to change without prior notice.



ENGINEERED PRODUCTS CO.