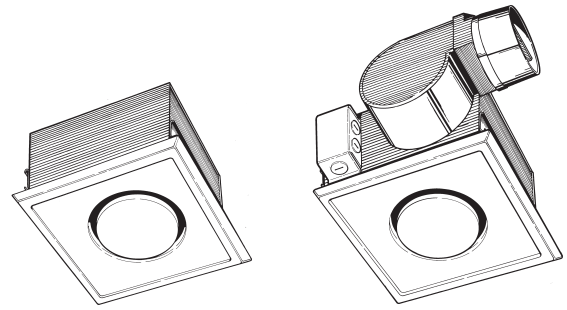


# MODELS 161 & 162 INFRARED BULB HEATERS



**Silent warmth and the choice of added ventilation in a compact design.**

### FEATURES

- White-white polymeric grille
- Sturdy steel housing
- Adjustable mounting brackets that span up to 24"
- Housing can be adjusted vertically after ceiling is finished
- Uses 250W BR40-size infrared bulb (not included)
- May be used with the following Broan controls:
  - Model 59W/V, 60-Minute Time Control
  - Model 61W/V, 15-Minute Time Control
  - Model 63W/V, 60-Minute Time Control w/ Toggle Switch
  - Model 64W/V, Heater-Fan Control w/Off Delay
  - Model 68W/V, Two-Function Control (Model 162 only)

### MODEL 162 BULB HEATER/FAN ONLY:

- Plug-in, permanently lubricated motor
- Quiet, polymeric blower wheel
- Polymeric damper/duct connector with 1-5/8" long tapered sleeve and no metallic clatter
- Heat and Vent functions may be controlled separately or in combination
- Model 162 suitable for use in insulated ceilings (Type I.C.)
- **Model 162H:** Rough-in housing for Model 162F. Packed 4 per carton.
- **Model 162F:** Finish assembly for Model 162H. Packed 4 per carton.

### SPECIFICATIONS

MODEL	VOLTS	AMPS	WATTS*	SONES	CFM	DUCT
161	120	2.1	250**	----	----	----
162	120	2.5	300**	3.5	70	4" Round

\* Total Connected Load

\*\* BR40-size Infrared Bulbs. Use house wiring rated 75°C min. for Model 161, 60°C min. for Model 162.



HVI-2100 CERTIFIED RATINGS comply with new testing technologies and procedures prescribed by the Home Ventilating Institute, for off-the-shelf products, as they are available to consumers. Product performance is rated at 0.1 in. static pressure, based on tests conducted in AMCA's state-of-the-art test laboratory. Sones are a measure of humanly-perceived loudness, based on laboratory measurements.

### TYPICAL SPECIFICATION

Bulb heater shall be Broan Model 161 (Broan Model 162).

Heater shall have corrosion resistant steel housing and adjustable mounting brackets.

Unit must use a 250W BR40-size infrared bulb. Bulb Heater to be U.L. Listed.

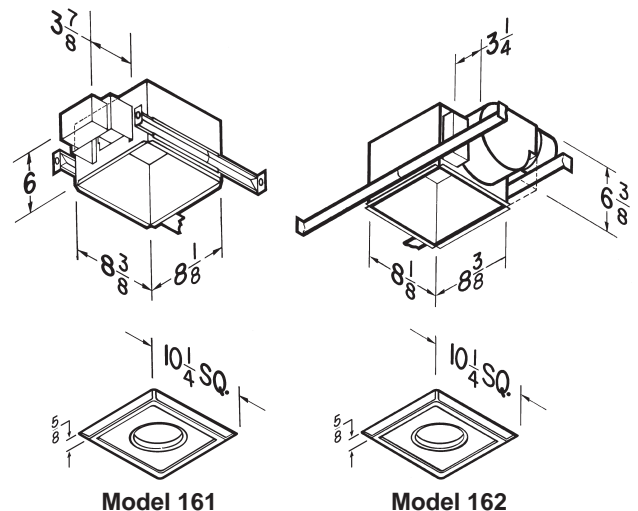
### MODEL 162 BULB HEATER/FAN ONLY:

Motor assembly to be removable and permanently lubricated.

Non-metallic damper/duct connector to be included.

Heater and ventilator to operate separately (or in combination).

Air delivery shall be no less than 70 CFM and sound level no greater than 3.5 Sones. All air and sound ratings shall be certified by HVI. Model 162 suitable for use in insulated ceilings (Type I.C.)



Model 161

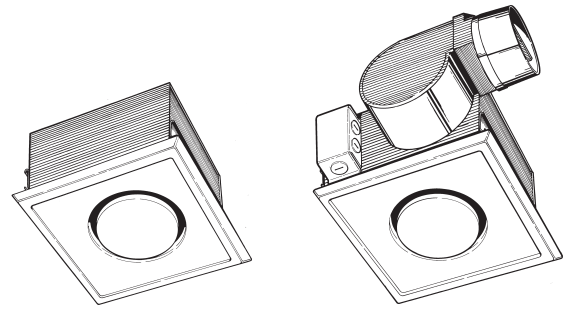
Model 162



Broan-NuTone LLC, 926 West State Street, Hartford, WI 53027 (1-800-637-1453)

REFERENCE	QTY.	REMARKS	Project
			Location
			Architect
			Engineer
			Contractor
			Submitted by <span style="float: right;">Date</span>

# MODELS 161 & 162 INFRARED BULB HEATERS



**Silent warmth and the choice of added ventilation in a compact design.**

### FEATURES

- White-white polymeric grille
- Sturdy steel housing
- Adjustable mounting brackets that span up to 24"
- Housing can be adjusted vertically after ceiling is finished
- Uses 250W BR40-size infrared bulb (not included)
- May be used with the following Broan controls:
  - Model 59W/V, 60-Minute Time Control
  - Model 61W/V, 15-Minute Time Control
  - Model 63W/V, 60-Minute Time Control w/ Toggle Switch
  - Model 64W/V, Heater-Fan Control w/Off Delay
  - Model 68W/V, Two-Function Control (Model 162 only)

### MODEL 162 BULB HEATER/FAN ONLY:

- Plug-in, permanently lubricated motor
- Quiet, polymeric blower wheel
- Polymeric damper/duct connector with 1-5/8" long tapered sleeve and no metallic clatter
- Heat and Vent functions may be controlled separately or in combination
- Model 162 suitable for use in insulated ceilings (Type I.C.)
- **Model 162H:** Rough-in housing for Model 162F. Packed 4 per carton.
- **Model 162F:** Finish assembly for Model 162H. Packed 4 per carton.

### SPECIFICATIONS

MODEL	VOLTS	AMPS	WATTS*	SONES	CFM	DUCT
161	120	2.1	250**	----	----	----
162	120	2.5	300**	3.5	70	4" Round

\* Total Connected Load

\*\* BR40-size Infrared Bulbs. Use house wiring rated 75°C min. for Model 161, 60°C min. for Model 162.



HVI-2100 CERTIFIED RATINGS comply with new testing technologies and procedures prescribed by the Home Ventilating Institute, for off-the-shelf products, as they are available to consumers. Product performance is rated at 0.1 in. static pressure, based on tests conducted in AMCA's state-of-the-art test laboratory. Sones are a measure of humanly-perceived loudness, based on laboratory measurements.

### TYPICAL SPECIFICATION

Bulb heater shall be Broan Model 161 (Broan Model 162).

Heater shall have corrosion resistant steel housing and adjustable mounting brackets.

Unit must use a 250W BR40-size infrared bulb. Bulb Heater to be U.L. Listed.

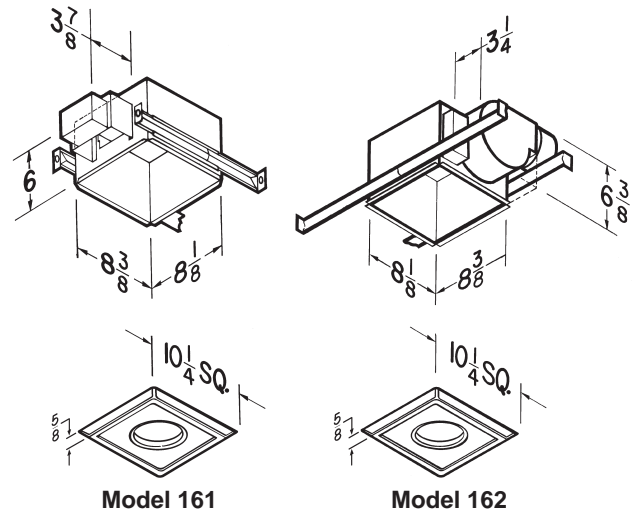
### MODEL 162 BULB HEATER/FAN ONLY:

Motor assembly to be removable and permanently lubricated.

Non-metallic damper/duct connector to be included.

Heater and ventilator to operate separately (or in combination).

Air delivery shall be no less than 70 CFM and sound level no greater than 3.5 Sones. All air and sound ratings shall be certified by HVI. Model 162 suitable for use in insulated ceilings (Type I.C.)



Model 161

Model 162



Broan-NuTone LLC, 926 West State Street, Hartford, WI 53027 (1-800-637-1453)

REFERENCE	QTY.	REMARKS	Project
			Location
			Architect
			Engineer
			Contractor
			Submitted by <span style="float: right;">Date</span>