

**PLEASE CHECK WWW.MOLEX.COM FOR LATEST PART INFORMATION**

**Part Number:** [1300130076](#)  
**Status:** **Active**  
**Overview:** [Brad Mini-Change Connectors](#)  
**Description:** Mini-Change A-Size Receptacle, 2 Poles, 1/2" - 14 NPT Threads, Male (Straight) to 16 AWG Leads, 0.305m (1.0') Length

**Documents:**

[Drawing \(PDF\)](#) [RoHS Certificate of Compliance \(PDF\)](#)

**Agency Certification**

CSA LR6837  
 UL E152210

**General**

Product Family Industrial Receptacles  
 Series [130013](#)  
 IP Rating IP67  
 NEMA Rating NEMA 6  
 Overview [Brad Mini-Change Connectors](#)  
 Product Name Mini-Change  
 Type Single Ended (pigtail)  
 UPC 78172553644

**Physical**

Coupling Type External Thread  
 Gender Male  
 Keyway Single  
 Length 0.305m  
 Material - Component Zinc Die-Cast with Black Epoxy  
 Mounting Thread Size 1/2" - 14 NPT  
 Orientation Straight  
 Panel Mount N/A  
 Poles 2  
 Temperature Range - Operating -20°C to +105°C  
 Wire Size AWG 16  
 Wire/Cable Type UL 1015

**Electrical**

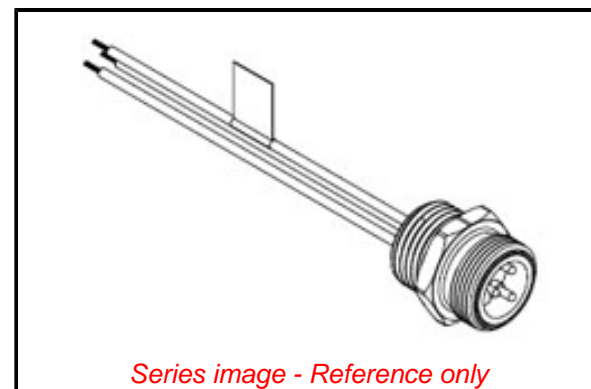
Current - Maximum per Contact 13.0A  
 Voltage - Maximum 600V AC/DC

**Material Info**

Engineering Number 1R2006A20A120

**Reference - Drawing Numbers**

Sales Drawing SD-130013-076, SD-130013-120



*Series image - Reference only*

**EU ELV**

**Not Relevant**

**EU RoHS**

**Not Reviewed**

**REACH SVHC**

Not Reviewed

**Halogen-Free**

**Status**

**Not Reviewed**

**Need more information on product environmental compliance?**

Email [productcompliance@molex.com](mailto:productcompliance@molex.com)  
 Please visit the [Contact Us](#) section for any non-product compliance questions.

China ROHS	Not Reviewed
ELV	Not Relevant
RoHS Phthalates	Not Reviewed

**China RoHS**

**Search Parts in this Series**  
[130013 Series](#)

**PLEASE CHECK WWW.MOLEX.COM FOR LATEST PART INFORMATION**

**Part Number:** [1300130076](#)  
**Status:** **Active**  
**Overview:** [Brad Mini-Change Connectors](#)  
**Description:** Mini-Change A-Size Receptacle, 2 Poles, 1/2" - 14 NPT Threads, Male (Straight) to 16 AWG Leads, 0.305m (1.0') Length

**Documents:**

[Drawing \(PDF\)](#) [RoHS Certificate of Compliance \(PDF\)](#)

**Agency Certification**

CSA LR6837  
 UL E152210

**General**

Product Family Industrial Receptacles  
 Series [130013](#)  
 IP Rating IP67  
 NEMA Rating NEMA 6  
 Overview [Brad Mini-Change Connectors](#)  
 Product Name Mini-Change  
 Type Single Ended (pigtail)  
 UPC 78172553644

**Physical**

Coupling Type External Thread  
 Gender Male  
 Keyway Single  
 Length 0.305m  
 Material - Component Zinc Die-Cast with Black Epoxy  
 Mounting Thread Size 1/2" - 14 NPT  
 Orientation Straight  
 Panel Mount N/A  
 Poles 2  
 Temperature Range - Operating -20°C to +105°C  
 Wire Size AWG 16  
 Wire/Cable Type UL 1015

**Electrical**

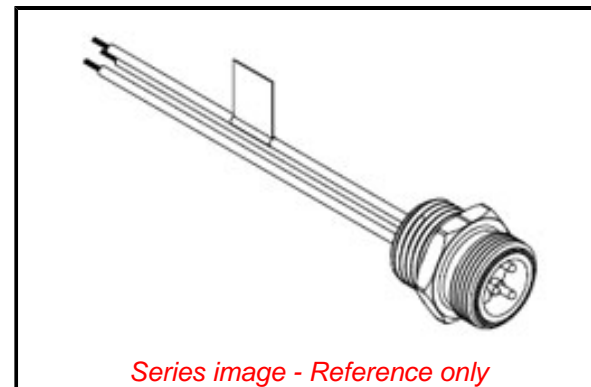
Current - Maximum per Contact 13.0A  
 Voltage - Maximum 600V AC/DC

**Material Info**

Engineering Number 1R2006A20A120

**Reference - Drawing Numbers**

Sales Drawing SD-130013-076, SD-130013-120



*Series image - Reference only*

**EU ELV**

**Not Relevant**

**EU RoHS**

**Not Reviewed**

**REACH SVHC**

Not Reviewed

**Halogen-Free**

**Status**

**Not Reviewed**

**Need more information on product environmental compliance?**

Email [productcompliance@molex.com](mailto:productcompliance@molex.com)  
 Please visit the [Contact Us](#) section for any non-product compliance questions.

China ROHS	Not Reviewed
ELV	Not Relevant
RoHS Phthalates	Not Reviewed

**China RoHS**

**Search Parts in this Series**  
[130013 Series](#)