



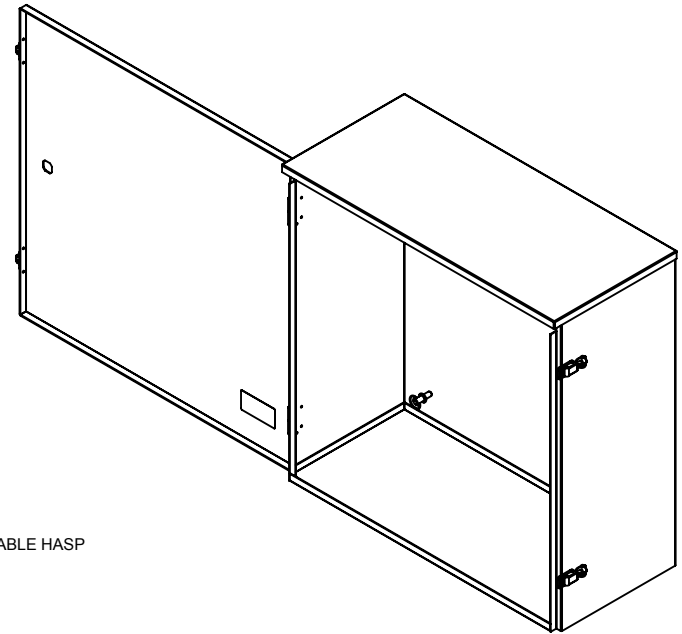
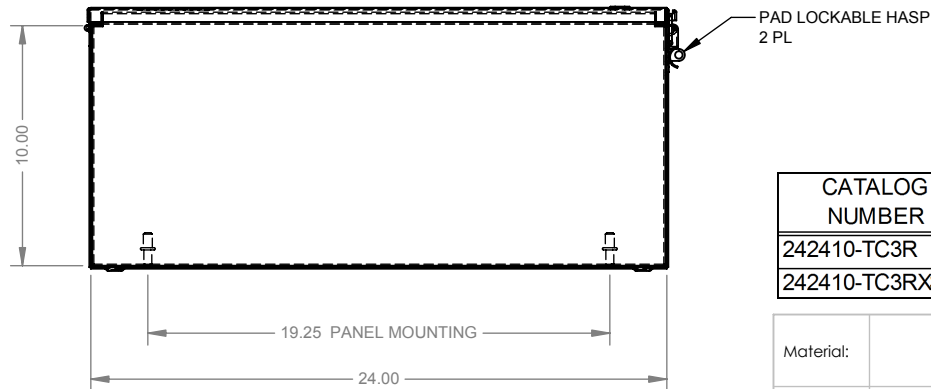
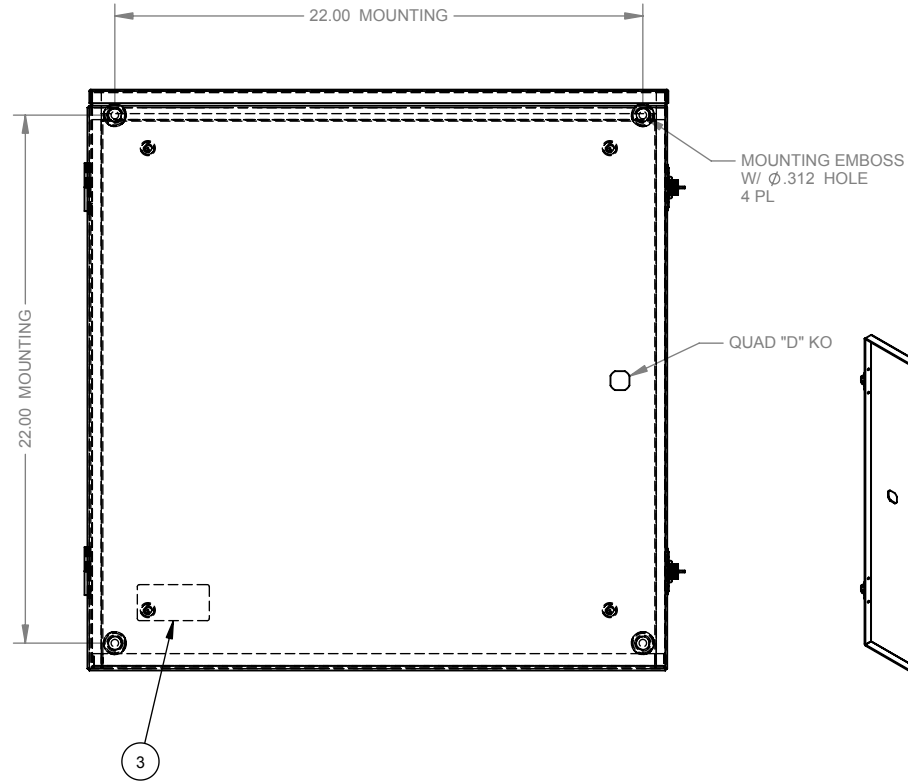
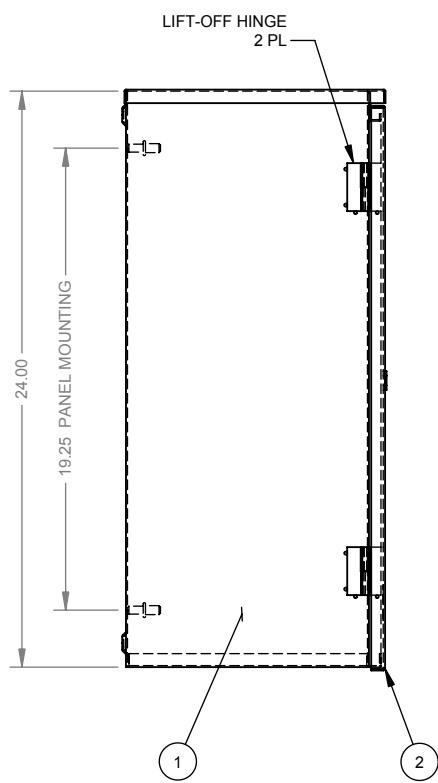
Catalog Number: 242410-TC3R
Item Description: N3R TELEPHONE CAB
UPC Code: 784572225084

Brand Name: Milbank
Type: Telephone Cabinet
Special Features: Pad Lockable Draw Latch Installed,
Continuous Hinge
Application: Outdoor Telephone Cabinet
Standard: UL Listed, Type 3R
Number Of Outlet: 0
Door: Single Door
Material: Steel with Powder Coat Finish
Cable Entry: No Knockouts
Color: ANSI 61 Gray
Mounting: Wall Mount



Utility requirements may vary. Always consult the serving utility for their requirements prior to ordering or installing this equipment. This product must always be installed by a licensed electrician. Installation of this equipment may require local electrical inspector approval.

NO.	QTY.	PART NO.	GALVANIZED & 304 STAINLESS DESCRIPTION
1	1	1106174	BACK WELDMENT
2	1	1000651	FRONT WELDMENT
3	1	1003115	LABEL (UL)
4	1	1002169	BAG ASSY, PNL MTG HDWR
5	1	1003140	CARTON



NOTES:

- 1 PACKED INSIDE ENCLOSURE (NOT SHOWN).
- 2. WHEN SOLD AS (RC)- PREFIX USE LABEL #1125418 INSTEAD OF #1003115

CATALOG NUMBER	PART NUMBER	MATERIAL	FINISH
242410-TC3R	1001888	GALVANIZED STEEL	ANSI 61 GRAY
242410-TC3RXS	1106059	304 STAINLESS	GRAINED

Material:	SEE CHART	<p>General Offices: Kansas City, MO</p>
Finish:	SEE CHART	
<p>Tolerances: Unless Specified Otherwise X.X ±.1 X.XX ±.03 X.XXX ±.015 X" ±2"</p>		Title: 24 x 24 x 10 TYPE 3R TELEPHONE CABINET
<p>Third Angle Projection</p>		Catalog No.: SEE CHART
<p>Scale: NTS</p>		Ref: LONG P/N - 10788-11
Checked By:		Drawing No.: 1001888
Drawn By: DR	Approved By:	Date: 9-19-03 Sheet 1 of 1

* 9-19-03	FIRST RELEASE - PDR 3564	DR		
*1 9-8-06	mECO #15137, ADDED NOTE #2.	CMW		



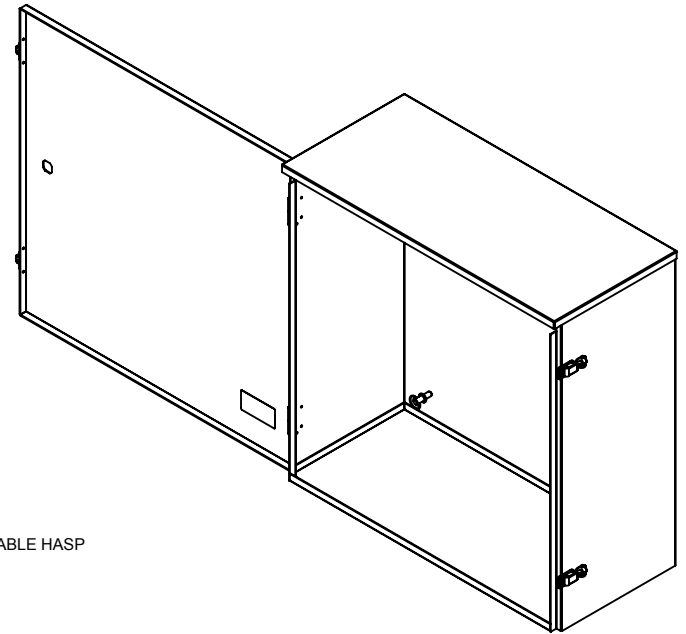
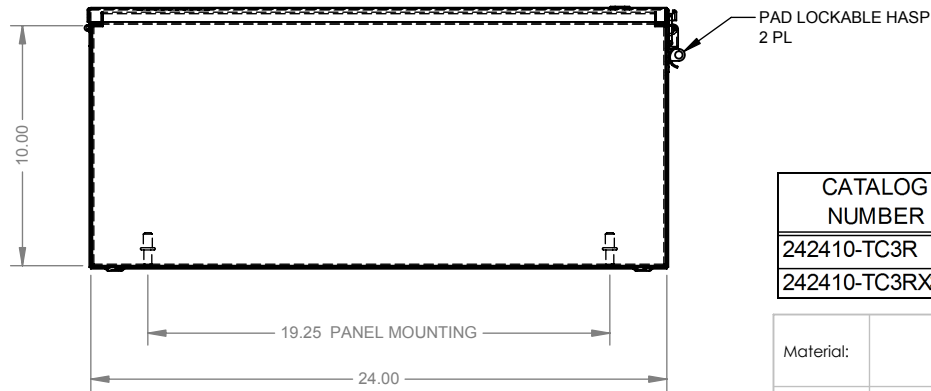
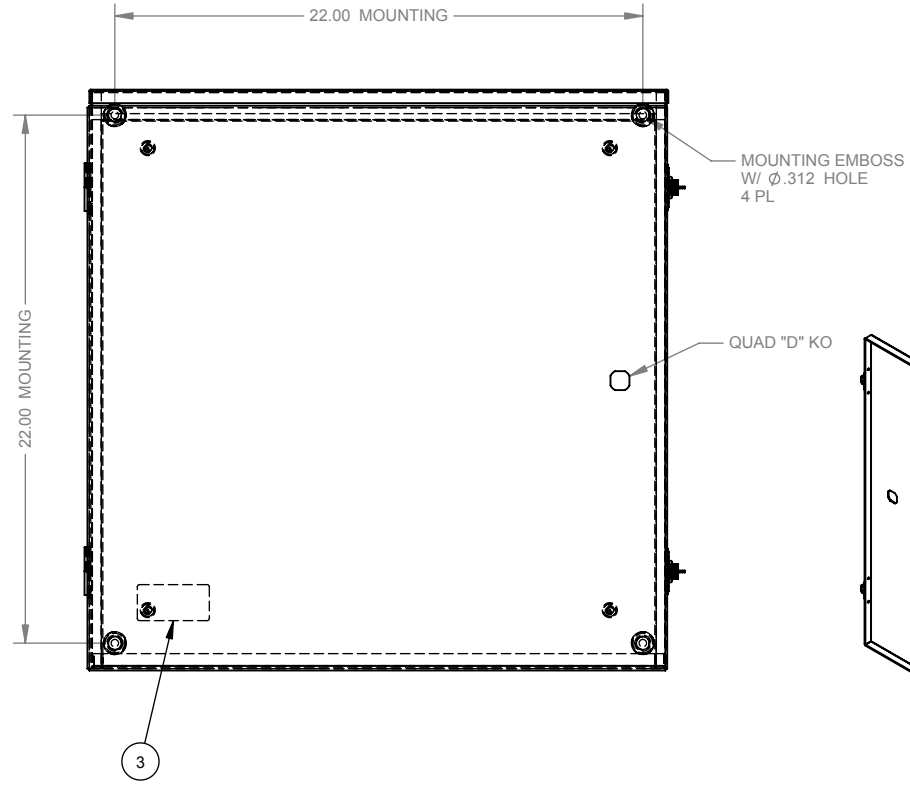
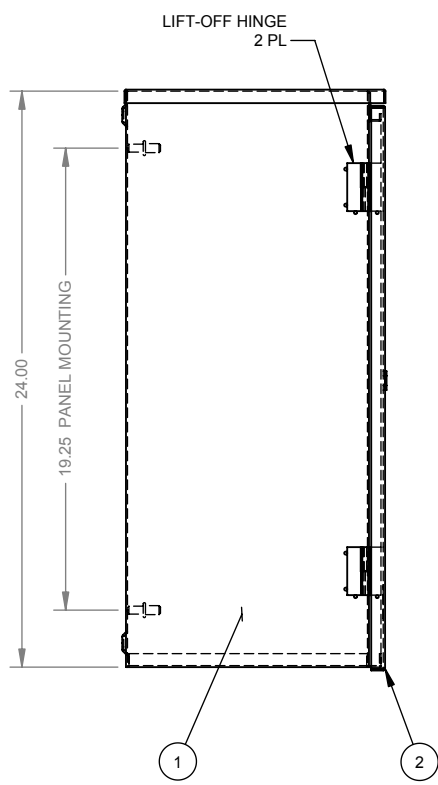
Catalog Number: 242410-TC3R
Item Description: N3R TELEPHONE CAB
UPC Code: 784572225084

Brand Name: Milbank
Type: Telephone Cabinet
Special Features: Pad Lockable Draw Latch Installed,
Continuous Hinge
Application: Outdoor Telephone Cabinet
Standard: UL Listed, Type 3R
Number Of Outlet: 0
Door: Single Door
Material: Steel with Powder Coat Finish
Cable Entry: No Knockouts
Color: ANSI 61 Gray
Mounting: Wall Mount



Utility requirements may vary. Always consult the serving utility for their requirements prior to ordering or installing this equipment. This product must always be installed by a licensed electrician. Installation of this equipment may require local electrical inspector approval.

NO.	QTY.	PART NO.	GALVANIZED & 304 STAINLESS DESCRIPTION
1	1	1106174	BACK WELDMENT
2	1	1000651	FRONT WELDMENT
3	1	1003115	LABEL (UL)
4	1	1002169	BAG ASSY, PNL MTG HDWR
5	1	1003140	CARTON



NOTES:

- 1 PACKED INSIDE ENCLOSURE (NOT SHOWN).
- 2. WHEN SOLD AS (RC)- PREFIX USE LABEL #1125418 INSTEAD OF #1003115

CATALOG NUMBER	PART NUMBER	MATERIAL	FINISH
242410-TC3R	1001888	GALVANIZED STEEL	ANSI 61 GRAY
242410-TC3RXS	1106059	304 STAINLESS	GRAINED

Material:	SEE CHART	<p>General Offices: Kansas City, MO</p>
Finish:	SEE CHART	
<p>Tolerances: Unless Specified Otherwise X.X ±.1 X.XX ±.03 X.XXX ±.015 X" ±2"</p>		Title: 24 x 24 x 10 TYPE 3R TELEPHONE CABINET
<p>Third Angle Projection</p>		Catalog No.: SEE CHART
<p>Scale: NTS</p>		Ref: LONG P/N - 10788-11
Checked By:		Drawing No.: 1001888
Drawn By: DR	Approved By:	Date: 9-19-03 Sheet 1 of 1

* 9-19-03	FIRST RELEASE - PDR 3564	DR
*1 9-8-06	mECO #15137, ADDED NOTE #2.	CMW