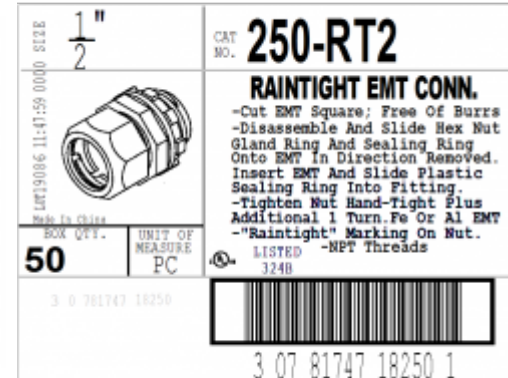
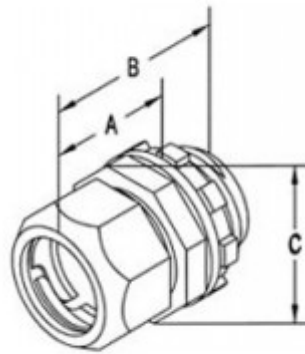


## 1/2" Raintight Compression Connector, NPT THREAD

Compression style connector with internal sealing ring and knockout gasket to create a raintight seal when connecting EMT to box or enclosure. Connector comes with NPT Thread. Patented


[Download Photo](#)
[Download Drawing](#)
[Download Drawing](#)

### Product details

<b>Catalog Number:</b>	250-RT2
<b>UPC Number:</b>	781747182500
<b>Primary Materials:</b>	Zinc Die Cast
<b>Finish:</b>	Ball burnished, mirror smooth
<b>Trade Size:</b>	1/2"
<b>Unit Quantity:</b>	50
<b>Standard Package Quantity:</b>	500

### Dimensions

<b>Trade Size:</b>	1/2"
<b>Dimensions A:</b>	0.935
<b>Dimensions B:</b>	1.41
<b>Dimensions C:</b>	1.065

### Certifications & Codes

**Federal Specification Number:** A-A-50553

**UL File Number:** E24001

**UNSPSC:** 39121434

**Nema Standard:** FB-1

**UL Standard:** UL-514B

**Patent Number:** 7,976,070; 7,604,261; 7,390,027