



## Smooth style and operation — plus commercial durability.

2601, 2603, 2604, 2621, 2622, 2623, 2624

Cushioned thermoplastic paddles assure smooth, quiet long-term use. Integral silver-alloy contacts combine with heavy-gauge straps for long-lasting performance. Screw-pressure-plate back wiring (which also supports side wiring) enables fast installation and rock-solid connections.

### Features & Benefits

**Auto-ground on strap** speeds up installation and holds mounting screws in position

**Impact-resistant polycarb back body and frame**, for structural strength and impact resistance

**Cushioned thermoplastic paddle** assures smooth, quiet long-term operation

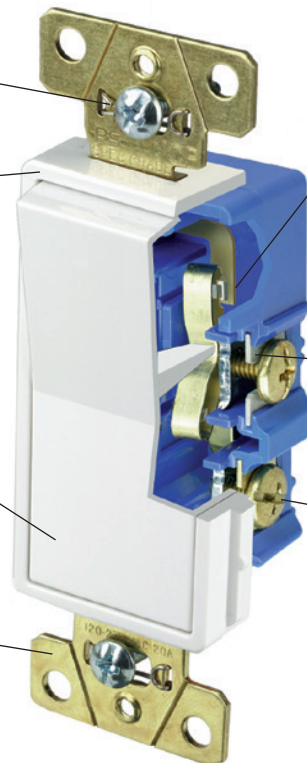
**Heavy-gauge steel strap** is plated for corrosion resistance

**Single rocking butterfly contact design** has fewer moving parts — for longer life, and smoother, quieter operation

**Oversized silver alloy contacts** integrally formed to the butterfly spring — assures high reliability

**Tri-drive brass terminal screws**, internal screw-pressure-plate back and side wire capability

**Common terminal has two back wire holes** for more wiring flexibility



2601W

### 3rd Party Compliance



UL Listed, File Number E140597, Standard UL20, General Use Snap Switches.

CSA Certified, File Number LR17446, Standard CSA-C22.2 No. 111, General Use Snap Switches.

## Technical Information

### Performance

#### Electrical

Dielectric Withstand Voltage	1500V Minimum
Maximum Working Voltage	277VAC
Overload	Minimum 4.8 times rated current for 100 cycles
Temperature Rise	30°C maximum at rated current
Maximum Continuous Current	277VAC
Endurance	10,000 cycles minimum, resistive, inductive, tungsten filament lamp load

#### Mechanical

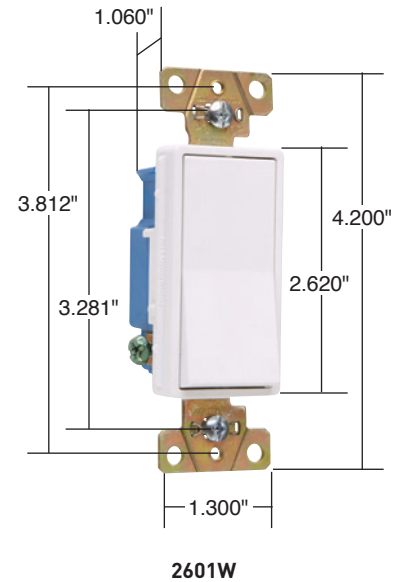
Terminal Accommodations	#14 AWG – #10 AWG
-------------------------	-------------------

#### Environmental

Flammability	UL94 V2
--------------	---------

#### Materials

Back Body	Polycarbonate
Frame	Polycarbonate
Paddle	Thermoplastic
Terminals	Brass
Terminal Screws	Tri-Drive Brass-Plated Steel
Strap	Steel
Pressure Plate	Steel
Contacts	Silver Cadmium Oxide
Spring Arm	Brass
Bumper	Rubber
Spring	Zinc-Plated Steel
Ground Terminal	Brass
Ground Screw	Tri-Drive Zinc-Plated Steel



### Warranty

1 Year

## Ordering Information

### Decorator Switches Back & Side Wire

Catalog Number				Rating		Color
Single Pole	Double Pole	Three-Way	Four-Way	A	VAC	
2601I	—	2603I	2604I	15	120/277	Ivory
2601W	—	2603W	2604W	15	120/277	White
2601GRY	—	2603GRY	—	15	120/277	Gray
2601BK	—	2603BK	—	15	120/277	Black
2601LA	—	2603LA	2604LA	15	120/277	Light Almond
2621I	2622I	2623I	2624I	20	120/277	Ivory
2621W	2622W	2623W	2624W	20	120/277	White
2621	2622	2623	2624	20	120/277	Brown
2621GRY	2622GRY	2623GRY	2624GRY	20	120/277	Gray
2621BK	2622BK	2623BK	2624BK	20	120/277	Black
2621RED	2622RED	2623RED	2624RED	20	120/277	Red
2621LA	2622LA	2623LA	2624LA	20	120/277	Light Almond

---

## Vertical Markets


- Education
- Institutional
- Retail
- Office
- Hospitality/Lodging
- Multiple Dwelling

---

## Also available

- Plug Load Solutions
- Hospital Grade Devices
- PlugTail® Devices
- Surge Protective Devices
- Ground Continuity Monitoring (GCM)
- Straight Blade Plugs & Connectors
- Turnlok® Locking Devices
- Weatherproof Boxes & Covers
- USB Charging Devices
- Flexcor® Wire Mesh Grips
- Chemical-Resistant Switches

---

 The paper used to print this document is an environmentally responsible paper with 10% post consumer waste, with FSC and SFI Chain of Custody certifications, Lacey Act compliant. 100% of the electricity used to manufacture Flo sheets is generated with Green-e certified renewable energy.

All brand and product names referenced in this document are registered trademarks or trademarks of their respective holders.



**Legrand, North America**  
60 Woodlawn Street  
West Hartford, CT 06110  
1.877.BY.LEGRAND (295.3472)  
[www.legrand.us](http://www.legrand.us)

570 Applewood Crescent  
Vaughan, Ontario L4K 4B4  
905.738.9195  
[www.legrand.ca](http://www.legrand.ca)

FOLLOW US





## Smooth style and operation — plus commercial durability.

2601, 2603, 2604, 2621, 2622, 2623, 2624

Cushioned thermoplastic paddles assure smooth, quiet long-term use. Integral silver-alloy contacts combine with heavy-gauge straps for long-lasting performance. Screw-pressure-plate back wiring (which also supports side wiring) enables fast installation and rock-solid connections.

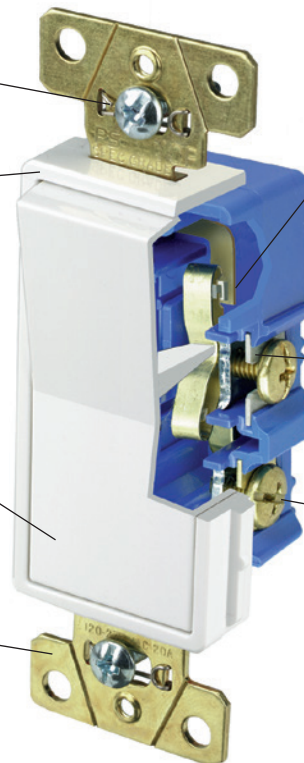
### Features & Benefits

**Auto-ground on strap** speeds up installation and holds mounting screws in position

**Impact-resistant polycarb back body and frame**, for structural strength and impact resistance

**Cushioned thermoplastic paddle** assures smooth, quiet long-term operation

**Heavy-gauge steel strap** is plated for corrosion resistance



**Single rocking butterfly contact design** has fewer moving parts — for longer life, and smoother, quieter operation

**Oversized silver alloy contacts** integrally formed to the butterfly spring — assures high reliability

**Tri-drive brass terminal screws**, internal screw-pressure-plate back and side wire capability

**Common terminal has two back wire holes** for more wiring flexibility

2601W

### 3rd Party Compliance



UL Listed, File Number E140597, Standard UL20, General Use Snap Switches.

CSA Certified, File Number LR17446, Standard CSA-C22.2 No. 111, General Use Snap Switches.

## Technical Information

### Performance

#### Electrical

Dielectric Withstand Voltage	1500V Minimum
Maximum Working Voltage	277VAC
Overload	Minimum 4.8 times rated current for 100 cycles
Temperature Rise	30°C maximum at rated current
Maximum Continuous Current	277VAC
Endurance	10,000 cycles minimum, resistive, inductive, tungsten filament lamp load

#### Mechanical

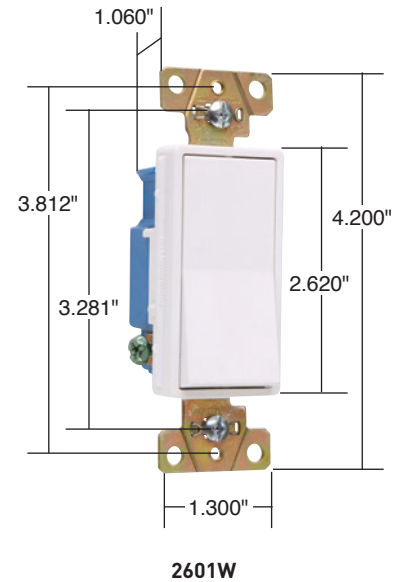
Terminal Accommodations	#14 AWG – #10 AWG
-------------------------	-------------------

#### Environmental

Flammability	UL94 V2
--------------	---------

#### Materials

Back Body	Polycarbonate
Frame	Polycarbonate
Paddle	Thermoplastic
Terminals	Brass
Terminal Screws	Tri-Drive Brass-Plated Steel
Strap	Steel
Pressure Plate	Steel
Contacts	Silver Cadmium Oxide
Spring Arm	Brass
Bumper	Rubber
Spring	Zinc-Plated Steel
Ground Terminal	Brass
Ground Screw	Tri-Drive Zinc-Plated Steel



### Warranty

1 Year

## Ordering Information

### Decorator Switches Back & Side Wire

Catalog Number				Rating		Color
Single Pole	Double Pole	Three-Way	Four-Way	A	VAC	
2601I	—	2603I	2604I	15	120/277	Ivory
2601W	—	2603W	2604W	15	120/277	White
2601GRY	—	2603GRY	—	15	120/277	Gray
2601BK	—	2603BK	—	15	120/277	Black
2601LA	—	2603LA	2604LA	15	120/277	Light Almond
2621I	2622I	2623I	2624I	20	120/277	Ivory
2621W	2622W	2623W	2624W	20	120/277	White
2621	2622	2623	2624	20	120/277	Brown
2621GRY	2622GRY	2623GRY	2624GRY	20	120/277	Gray
2621BK	2622BK	2623BK	2624BK	20	120/277	Black
2621RED	2622RED	2623RED	2624RED	20	120/277	Red
2621LA	2622LA	2623LA	2624LA	20	120/277	Light Almond

---

## Vertical Markets


- Education
- Institutional
- Retail
- Office
- Hospitality/Lodging
- Multiple Dwelling

---

## Also available

- Plug Load Solutions
- Hospital Grade Devices
- PlugTail® Devices
- Surge Protective Devices
- Ground Continuity Monitoring (GCM)
- Straight Blade Plugs & Connectors
- Turnlok® Locking Devices
- Weatherproof Boxes & Covers
- USB Charging Devices
- Flexcor® Wire Mesh Grips
- Chemical-Resistant Switches

---

 The paper used to print this document is an environmentally responsible paper with 10% post consumer waste, with FSC and SFI Chain of Custody certifications, Lacey Act compliant. 100% of the electricity used to manufacture Flo sheets is generated with Green-e certified renewable energy.

All brand and product names referenced in this document are registered trademarks or trademarks of their respective holders.



**Legrand, North America**  
60 Woodlawn Street  
West Hartford, CT 06110  
1.877.BY.LEGRAND (295.3472)  
[www.legrand.us](http://www.legrand.us)

570 Applewood Crescent  
Vaughan, Ontario L4K 4B4  
905.738.9195  
[www.legrand.ca](http://www.legrand.ca)

FOLLOW US

