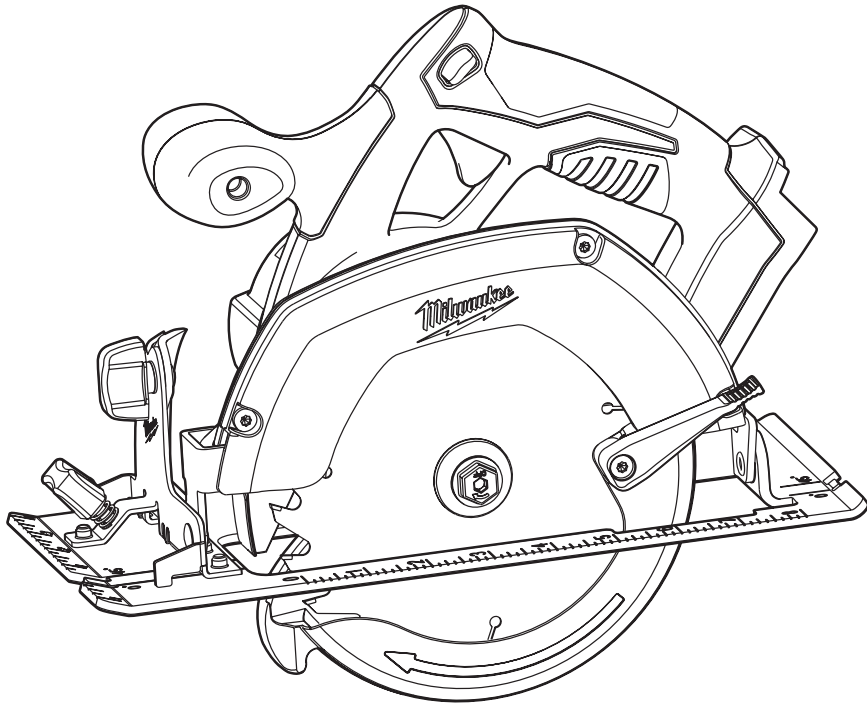




**OPERATOR'S MANUAL
MANUAL D'UTILISATION
MANUAL DEL OPERADOR**

**Cat. No.
No de cat.
2630-20**



**18V CIRCULAR SAW
SCIE CIRCULAIRE DE 18 V
SIERRA CIRCULAR DE 18V**

***TO REDUCE THE RISK OF INJURY, USER MUST READ OPERATOR'S MANUAL.
AFIN DE RÉDUIRE LE RISQUE DE BLESSURES, L'UTILISATEUR DOIT LIRE LE
MANUEL DE L'UTILISATEUR.
PARA REDUCIR EL RIESGO DE LESIONES, EL USUARIO DEBE LEER EL MANUAL
DEL OPERADOR.***

GENERAL POWER TOOL SAFETY WARNINGS

WARNING READ ALL SAFETY WARNINGS AND INSTRUCTIONS.

Failure to follow the warnings and instructions may result in electric shock, fire and/or serious injury.

Save all warnings and instructions for future reference

The term "power tool" in all of the warnings refers to your mains-operated (corded) power tool or battery-operated (cordless) power tool.

WORK AREA SAFETY

- **Keep work area clean and well lit.** Cluttered or dark areas invite accidents.
- **Do not operate power tools in explosive atmospheres, such as in the presence of flammable liquids, gases or dust.** Power tools create sparks which may ignite the dust or fumes.
- **Keep children and bystanders away while operating a power tool.** Distractions can cause you to lose control.

ELECTRICAL SAFETY

- **Power tool plugs must match the outlet. Never modify the plug in any way. Do not use any adapter plugs with earthed (grounded) power tools.** Unmodified plugs and matching outlets will reduce risk of electric shock.
- **Avoid body contact with earthed or grounded surfaces such as pipes, radiators, ranges and refrigerators.** There is an increased risk of electric shock if your body is earthed or grounded.
- **Do not expose power tools to rain or wet conditions.** Water entering a power tool will increase the risk of electric shock.
- **Do not abuse the cord. Never use the cord for carrying, pulling or unplugging the power tool. Keep cord away from heat, oil, sharp edges or moving parts.** Damaged or entangled cords increase the risk of electric shock.
- **When operating a power tool outdoors, use an extension cord suitable for outdoor use.** Use of a cord suitable for outdoor use reduces the risk of electric shock.
- **If operating a power tool in a damp location is unavoidable, use a residual current device (RCD) protected supply.** Use of an RCD reduces the risk of electric shock.

PERSONAL SAFETY

- **Stay alert, watch what you are doing and use common sense when operating a power tool. Do not use a power tool while you are tired or under the influence of drugs, alcohol or medication.** A moment of inattention while operating power tools may result in serious personal injury.
- **Use personal protective equipment. Always wear eye protection.** Protective equipment such as dust mask, non-skid safety shoes, hard hat, or hearing protection used for appropriate conditions will reduce personal injuries.
- **Prevent unintentional starting. Ensure the switch is in the off-position before connecting to power source and/or battery pack, picking up or carrying the tool.** Carrying power tools with your finger on the switch or energising power tools that have the switch on invites accidents.
- **Remove any adjusting key or wrench before turning the power tool on.** A wrench or a key left attached to a rotating part of the power tool may result in personal injury.
- **Do not overreach. Keep proper footing and balance at all times.** This enables better control of the power tool in unexpected situations.
- **Dress properly. Do not wear loose clothing or jewellery. Keep your hair, clothing and gloves away from moving parts.** Loose clothes, jewellery or long hair can be caught in moving parts.
- **If devices are provided for the connection of dust extraction and collection facilities, ensure these are connected and properly used.** Use of these devices can reduce dust-related hazards.

POWER TOOL USE AND CARE

- **Do not force the power tool. Use the correct power tool for your application.** The correct power tool will do the job better and safer at the rate for which it was designed.

- **Do not use the power tool if the switch does not turn it on and off.** Any power tool that cannot be controlled with the switch is dangerous and must be repaired.
- **Disconnect the plug from the power source and/or the battery pack from the power tool before making any adjustments, changing accessories, or storing power tools.** Such preventive safety measures reduce the risk of starting the power tool accidentally.
- **Store idle power tools out of the reach of children and do not allow persons unfamiliar with the power tool or these instructions to operate the power tool.** Power tools are dangerous in the hands of untrained users.
- **Maintain power tools. Check for misalignment or binding of moving parts, breakage of parts and any other condition that may affect the power tool operation. If damaged, have the power tool repaired before use.** Many accidents are caused by poorly maintained power tools.
- **Keep cutting tools sharp and clean.** Properly maintained cutting tools with sharp cutting edges are less likely to bind and are easier to control.
- **Use the power tool, accessories and tool bits etc., in accordance with these instructions, taking into account the working conditions and the work to be performed.** Use of the power tool for operations different from those intended could result in a hazardous situation.

BATTERY TOOL USE AND CARE

- **Recharge only with the charger specified by the manufacturer.** A charger that is suitable for one type of battery pack may create a risk of fire when used with another battery pack.
- **Use power tools only with specifically designated battery packs.** Use of any other battery packs may create a risk of injury and fire.
- **When battery pack is not in use, keep it away from other metal objects like paper clips, coins, keys, nails, screws, or other small metal objects that can make a connection from one terminal to another.** Shorting the battery terminals together may cause burns or a fire.

- **Under abusive conditions, liquid may be ejected from the battery, avoid contact. If contact accidentally occurs, flush with water. If liquid contacts eyes, additionally seek medical help.** Liquid ejected from the battery may cause irritation or burns.

SERVICE

- **Have your power tool serviced by a qualified repair person using only identical replacement parts.** This will ensure that the safety of the power tool is maintained.

SPECIFIC SAFETY RULES

DANGER:

- **Keep hands away from cutting area and blade. Keep your second hand on auxiliary handle or motor housing.** If both hands are holding the saw, they cannot be cut by the blade.
- **Do not reach underneath the workpiece.** The guard cannot protect you from the blade below the workpiece.
- **Adjust the cutting depth to the thickness of the workpiece.** Less than a full tooth of the blade teeth should be visible below the workpiece.
- **NEVER hold piece being cut in your hands or across your leg. Secure the workpiece to a stable platform.** It is important to support the work properly to minimize body exposure, blade binding, or loss of control.
- **Hold power tool by insulated gripping surfaces when performing an operation where the cutting tool may contact hidden wiring or its own cord.** Contact with a "live" wire will also make exposed metal parts of the tool "live" and shock the operator.
- **When ripping always use a rip fence or straight edge guide.** This improves the accuracy of cut and reduces the chance of blade binding.
- **Always use blades with correct size and shape (diamond versus round) of arbor holes.** Blades that do not match the mounting hardware of the saw will run eccentrically, causing loss of control.
- **Never use damaged or incorrect blade washers or bolts.** The blade washers and bolts were specially designed for your saw, for optimum performance and safety of operation.

Causes and Operator Prevention of KICKBACK:

KICKBACK is a sudden reaction to a pinched, bound or misaligned saw blade, causing an uncontrolled saw to lift up and out of the workpiece toward the operator.

When the blade is pinched or bound tightly by the kerf closing down, the blade stalls and the motor reaction drives the unit rapidly back toward the operator.

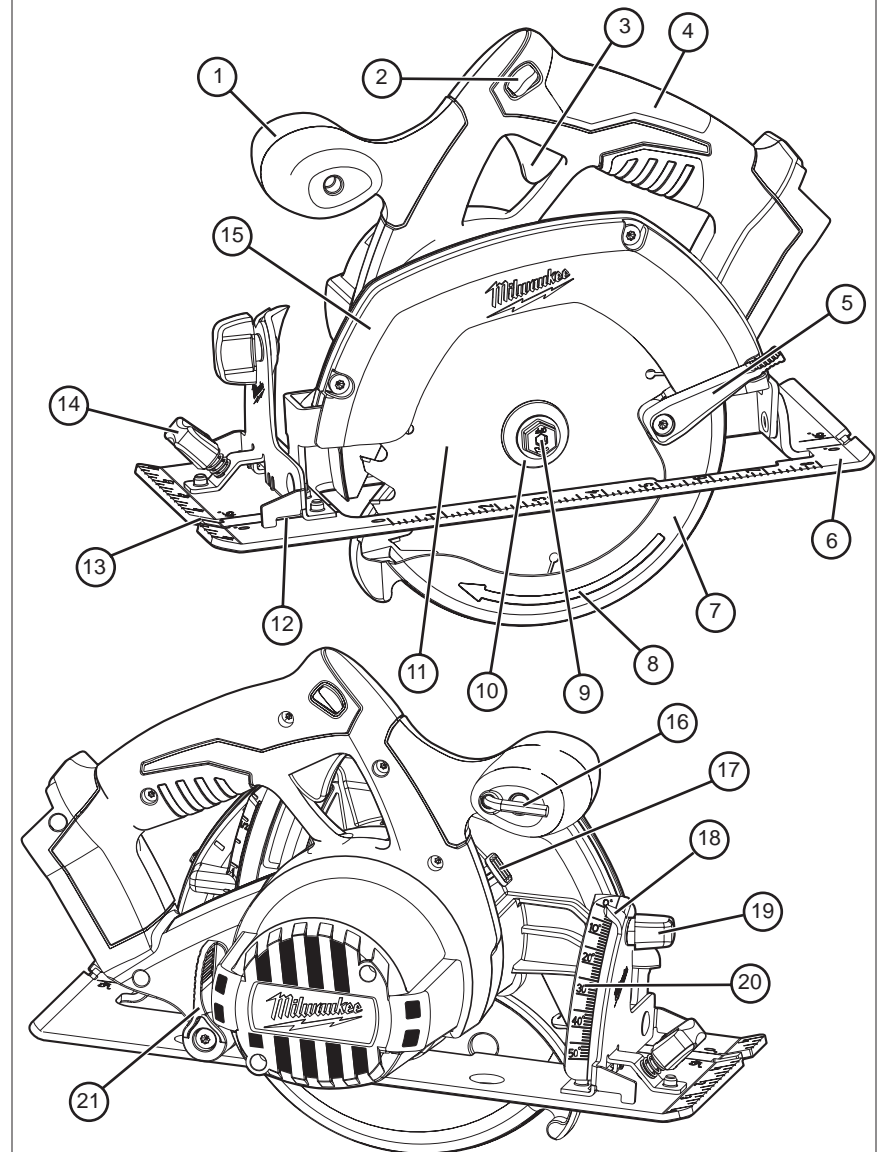
If the blade becomes twisted or misaligned in the cut, the teeth at the back edge of the blade can dig into the top surface of the wood causing the blade to climb out of the kerf and jump back toward operator.

KICKBACK is the result of saw misuse and/or incorrect operating procedures or conditions and can be avoided by taking proper precautions as given below:

- **Maintain a firm grip with both hands on the saw and position your arms to resist kickback forces. Position your body to either side of the blade, but not in line with the blade.** Kickback could cause the saw to jumb backwards, but kickback forces can be controlled by the operator, if proper precautions are taken.
- **When blade is binding, or when interrupting a cut for any reason, release the trigger and hold the saw motionless in the material until the blade comes to a complete stop. Never attempt to remove the saw from the work or pull the saw backward while the blade is in motion or kickback may occur.** Investigate and take corrective actions to eliminate the cause of blade binding.
- **When restarting a saw in the workpiece, center the saw blade in the kerf and check that saw teeth are not engaged into the material.** If saw blade is binding, it may walk up or kickback from the workpiece as the saw is restarted.
- **Support large panels to minimize the risk of blade pinching and kickback.** Large panels tend to sag under their own weight. Supports must be placed under the panel on both sides, near the line of cut and near the edge of the panel.
- **Do not use dull or damaged blade.** Unsharpened or improperly set blades produce narrow kerf causing excessive friction, blade binding and kickback.
- **Blade depth and bevel adjusting locking levers must be tight and secure before making cut.** If blade adjustment shifts while cutting, it may cause binding and kickback.



- **Use extra caution when making a "plunge cut" (or pocket cut) into existing walls or other blind areas.** The protruding blade may cut objects that can cause kickback.
- **Check lower guard for proper closing before each use. Do not operate saw if lower guard does not move freely and close instantly. Never clamp or tie the lower guard into the open position.** If saw is accidentally dropped, lower guard may be bent. Raise the lower guard with the lower guard lever and make sure it moves freely and does not touch the blade or any other part, in all angles and depths of cut.
- **Check the operation of the lower guard spring. If the guard and the spring are not operating properly, they must be serviced before use.** Lower guard may operate sluggishly due to damaged parts, gummy deposits, or a buildup of debris.
- **Lower guard should be retracted manually only for special cuts such as "plunge cuts" and "compound cuts". Raise lower guard by lower guard lever and as soon as blade enters the material, the lower guard must be released.** For all other sawing, the lower guard should operate automatically.
- **Always observe that the lower guard is covering the blade before placing saw down on bench or floor.** An unprotected, coasting blade will cause the saw to walk backwards, cutting whatever is in its path. Be aware of the time it takes for the blade to stop after switch is released.
- **Maintain labels and nameplates.** These carry important information. If unreadable or missing, contact a *MILWAUKEE* service facility for a free replacement.
- **WARNING** Some dust created by power sanding, sawing, grinding, drilling, and other construction activities contains chemicals known to cause cancer, birth defects or other reproductive harm. Some examples of these chemicals are:
 - lead from lead-based paint
 - crystalline silica from bricks and cement and other masonry products, and
 - arsenic and chromium from chemically-treated lumber.
 Your risk from these exposures varies, depending on how often you do this type of work. To reduce your exposure to these chemicals: work in a well ventilated area, and work with approved safety equipment, such as those dust masks that are specially designed to filter out microscopic particles.

FUNCTIONAL DESCRIPTION



- | | | |
|----------------------|------------------------------|---------------------------|
| 1. Front handle | 8. Lower guard arrow | 15. Upper guard |
| 2. Lock-off button | 9. Blade bolt | 16. Wrench |
| 3. Trigger | 10. Blade flange | 17. Spindle lock button |
| 4. Handle | 11. Blade | 18. Bevel pointer |
| 5. Lower guard lever | 12. Rip fence slot | 19. Bevel adjusting knob |
| 6. Shoe | 13. Sight line | 20. Bevel scale |
| 7. Lower guard | 14. Rip fence adjusting knob | 21. Depth adjusting lever |

Symbology

	Direct Current	n_0 XXXXmin. ⁻¹	No Load Revolutions per Minute (RPM)
	Underwriters Laboratories, Inc. United States and Canada		

Specifications

Cat. No.	Volts DC	No Load RPM	Blade Size	Arbor	Depth of Cut At 90°	Depth of Cut at 45°
2630-20	18	3200	6-1/2"	5/8"	0 to 2-1/8"	0 to 1-9/16"

TOOL ASSEMBLY

WARNING Recharge only with the charger specified for the battery. For specific charging instructions, read the operator's manual supplied with your charger and battery. This tool is not compatible with V™-technology or NiCd systems.

Inserting/Removing Battery Pack

Insert the battery pack by sliding battery pack into the body of the tool. Insert the battery pack until the battery latches lock.

To remove the battery pack, press in both battery latches and slide the battery pack off of the tool.

WARNING To reduce the risk of injury, always remove battery pack before changing or removing accessories. Only use accessories specifically recommended for this tool. Others may be hazardous.

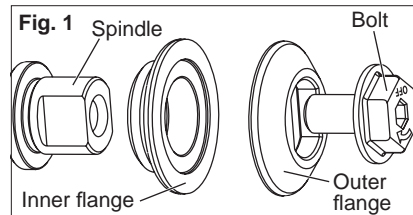
Selecting Blade

Always use sharp blades. Dull blades tend to overload the tool and increase the chance of KICKBACK (see "Causes and Operator Prevention of KICKBACK"). Only use thin kerf blades with a maximum safe operating speed greater than the no load RPM marked on the tool's nameplate. Read the blade manufacturer's instructions before use. Do not use any type of abrasive cut-off wheel or dry diamond cutting blades.

Installing and Removing Blades

1. Remove battery pack before installing or removing blades.
2. Place the saw on a flat surface with the blade facing upwards. To remove the bolt from the spindle, push in the spindle lock button. While holding in the spindle lock button, use the wrench provided with the tool to turn the bolt clockwise. Remove the bolt and blade flange.
3. Slide the lower guard lever up to raise the lower guard. Remove the blade from the spindle. Always clean the spindle, upper guard and lower guard to remove any dirt and sawdust.

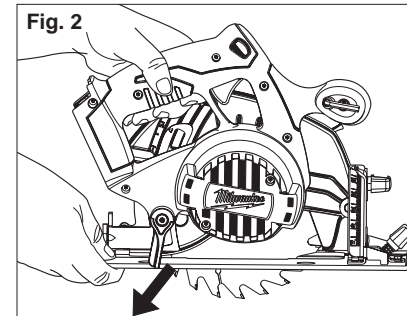
NOTE: Do not remove inner blade flange. Larger diameter of inner flange (Fig. 1) should face the blade.



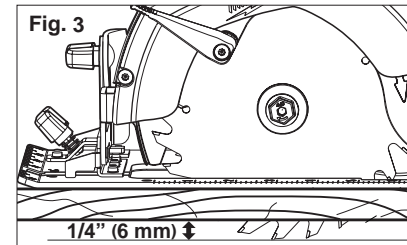
4. To install a blade, place the blade on the spindle with the teeth pointing in the same direction as the arrow on the lower guard. Release the lower guard lever.
5. Place the blade flange on the spindle and hand tighten the bolt.
6. While holding in the spindle lock button, use the wrench to turn the bolt counter-clockwise and tighten.

Adjusting Depth

1. Remove battery pack.
2. To adjust the depth of the cut, hold the saw by the handle and loosen the depth adjusting lever by pushing it down toward the shoe (Fig. 2).



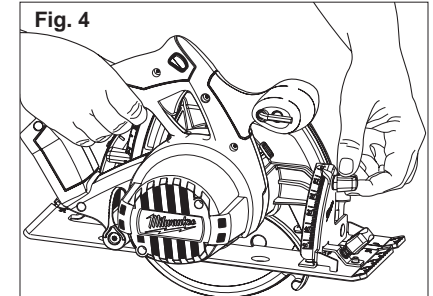
3. Raise or lower the shoe to the desired position. Markings in 1/4" increments are located on the inner side of the upper guard for depth setting. For the proper depth setting, the blade should extend no more than 1/8" to 1/4" below the material being cut (Fig. 3).



4. Lift the depth adjusting lever up towards the motor housing to secure the shoe position.

Adjusting Bevel Angle

1. Remove battery pack.
2. To adjust the angle of the cut, hold the saw by the handle and loosen the bevel adjusting knob (Fig. 4).

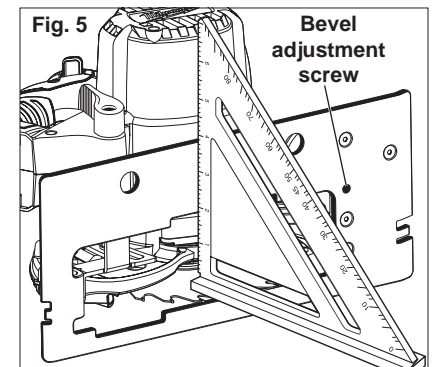


3. Hold the front of the shoe and rotate the saw by the handle to the desired angle as indicated by the markings on the bevel scale.
4. Tighten the bevel adjusting knob securely.

Adjusting the Blade to Shoe

The shoe has been adjusted at the factory to a 90 degree setting. Inspect the saw regularly to make sure the blade is 90 degrees to the shoe.

1. Remove battery pack.
2. Set the bevel pointer to zero.
3. To make sure the blade is 90 degrees to the shoe, place saw on the blade side and retract lower guard. Place a square against the blade and shoe to inspect the degree setting (Fig. 5).



4. To adjust the degree setting, loosen the bevel adjusting knob. Turn the bevel adjustment screw in or out until the blade is at a 90 degree angle with the shoe.
5. Tighten the bevel adjusting knob securely.

OPERATION

⚠ WARNING To reduce the risk of injury, keep hands away from the blade and other moving parts. Always wear safety goggles or glasses with side shields. Use only specifically recommended accessories. Others may be hazardous.

Causes and Operator Prevention of KICKBACK:

KICKBACK is a sudden reaction to a pinched, bound or misaligned saw blade, causing an uncontrolled saw to lift up and out of the workpiece toward the operator.

When the blade is pinched or bound tightly by the kerf closing down, the blade stalls and the motor reaction drives the unit rapidly back toward the operator.

If the blade becomes twisted or misaligned in the cut, the teeth at the back edge of the blade can dig into the top surface of the wood causing the blade to climb out of the kerf and jump back toward operator.

KICKBACK is the result of saw misuse and/or incorrect operating procedures or conditions and can be avoided by taking proper precautions as given below:

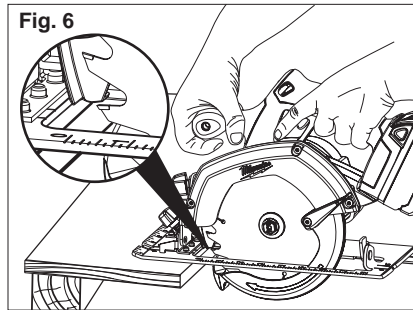
- **Maintain a firm grip with both hands on the saw and position your arms to resist kickback forces. Position your body to either side of the blade, but not in line with the blade.** Kickback could cause the saw to jumb backwards, but kickback forces can be controlled by the operator, if proper precautions are taken.
- **When blade is binding, or when interrupting a cut for any reason, release the trigger and hold the saw motionless in the material until the blade comes to a complete stop. Never attempt to remove the saw from the work or pull the saw backward while the blade is in motion or kickback may occur.** Investigate and take corrective actions to eliminate the cause of blade binding.
- **When restarting a saw in the workpiece, center the saw blade in the kerf and check that saw teeth are not engaged into the material.** If saw blade is binding, it may walk up or kickback from the workpiece as the saw is restarted.

- **Support large panels to minimise the risk of blade pinching and kickback.** Large panels tend to sag under their own weight. Supports must be placed under the panel on both sides, near the line of cut and near the edge of the panel.
- **Do not use dull or damaged blade.** Unsharpened or improperly set blades produce narrow kerf causing excessive friction, blade binding and kickback.
- **Blade depth and bevel adjusting locking levers must be tight and secure before making cut.** If blade adjustment shifts while cutting, it may cause binding and kickback.
- **Use extra caution when making a "plunge cut" (or pocket cut) into existing walls or other blind areas.** The protruding blade may cut objects that can cause kickback.

General Operation

Always clamp the workpiece securely on a saw horse or bench. See "APPLICATIONS" for the correct way to support your work in different situations.

1. Draw a cutting line. Place the front of the shoe on the edge of the workpiece without making blade contact. Hold the handle with one hand and the front handle with the other (Fig. 6).



2. Line up the sight line with your cutting line. Position your arms and body to resist KICKBACK.
3. To start the saw, push the lock-off button down while pulling the trigger. Allow the motor to reach full speed before beginning cut.

4. While cutting, keep the shoe flat against the workpiece and maintain a firm grip. Do not force the saw through the workpiece. Forcing a saw can cause KICKBACK.
5. If making a partial cut, restarting in mid-cut or correcting direction, allow the blade to come to a complete stop. To resume cutting, center the blade in the kerf, back the saw away from cutting edge a few inches, push the lock-off button down while pulling the trigger and re-enter the cut slowly.
6. If the saw binds and stalls, maintain a firm grip and release the trigger immediately. Hold the saw motionless in the workpiece until the blade comes to a complete stop.
7. After finishing a cut, be sure the lower guard closes and the blade comes to a complete stop before setting the saw down.

Electric Brake

The electric brake engages when the trigger is released, causing the blade to stop and allowing you to proceed with your work. Generally, the saw blade stops within two seconds. However, there may be a delay between the time you release the trigger and when the brake engages. Occasionally the brake may miss completely. If the brake misses frequently, the saw needs servicing by an authorized MILWAUKEE service facility. The brake is not a substitute for the guard, and you must always wait for the blade to stop completely before removing the saw from the workpiece.

Troubleshooting

If the blade does not follow a straight line:

- Teeth are dull. This is caused by hitting a hard object such as a nail or stone, dulling teeth on one side. The blade tends to cut to the side with the sharpest teeth.
- Shoe is out of line or bent
- Blade is bent
- Rip fence or guide is not being used

If the blade binds, smokes or turns blue from friction:

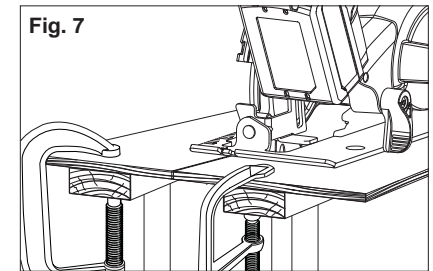
- Blade is dull
- Blade is on backwards
- Blade is bent
- Blade is dirty
- Workpiece is not properly supported
- Incorrect blade is being used

APPLICATIONS

Cutting Large Panels

Large panels and long boards sag or bend if they are not correctly supported. If you attempt to cut without leveling and properly supporting the workpiece, the blade will tend to bind, causing KICKBACK.

Support large panels. Be sure to set the depth of the cut so that you only cut through the workpiece, not through the supports.



Cross-Cutting Wood

Cross-cutting is cutting across the grain. Select the proper blade for your job. Advance the saw slowly to avoid splintering the wood.

Ripping Wood

Ripping is cutting lengthwise with the grain. Select the proper blade for your job. Use a rip fence for rips 4" wide or less. To install the rip fence, slide the bar through the rip fence slot in either side of the shoe. The width of the cut is the distance from the inside of the blade to the inside edge of the rip fence. Adjust the rip fence for the desired width, and lock the setting by tightening the rip fence adjusting knob.

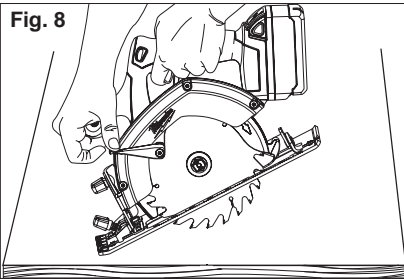
When ripping widths greater than 4", clamp or tack 1" lumber to workpiece and use the inside edge of the shoe as a guide.

⚠ WARNING To reduce the risk of electric shock, check work area for hidden pipes and wires before making plunge cuts.

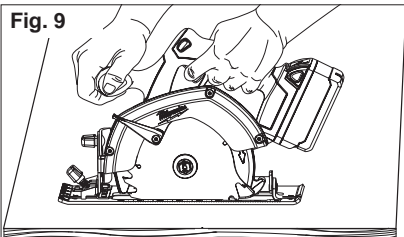
Plunge Cutting

Plunge cuts are made in the middle of the workpiece when it can not be cut from an edge. We recommend using a Sawzall® reciprocating saw or jig saw for this type of cut. However, if you must use a circular saw to make a plunge cut, USE EXTREME CAUTION. To maintain control of the saw during plunge cutting, keep both hands on the saw.

1. Beginning at a corner, line up the sight line with your cutting line. Tilt the saw forward, firmly fixing the front of the shoe on the workpiece (Fig. 8). The blade should be just above cutting line, but not touching it. Raise the lower guard using the lower guard lever.



2. To start the saw, push the lock-off button down while pulling the trigger. Allow the motor to reach full speed before beginning cut. Using the front of the shoe as a hinge point, gradually lower the back end of the saw into the workpiece. Release the lower guard lever and grasp the front handle.
3. When the shoe rests flat against workpiece, advance the saw to the far corner (Fig. 9). Release the trigger and allow the blade to come to a complete stop before removing it from workpiece. Repeat the above steps for each side of the opening. Use a Sawzall® reciprocating saw, jig saw or small hand saw to finish the corners if they are not completely cut through.



MAINTENANCE

⚠ WARNING To reduce the risk of injury, always unplug the charger and remove the battery pack from the charger or tool before performing any maintenance. Never disassemble the tool, battery pack or charger. Contact a MILWAUKEE service facility for ALL repairs.

Maintaining Tool

Keep your tool, battery pack and charger in good repair by adopting a regular maintenance program. After six months to one year, depending on use, return the tool, battery pack and charger to a MILWAUKEE service facility for:

- Lubrication
- Mechanical inspection and cleaning (gears, spindles, bearings, housing, etc.)
- Electrical inspection (battery pack, charger, motor)
- Testing to assure proper mechanical and electrical operation

If the tool does not start or operate at full power with a fully charged battery pack, clean the contacts on the battery pack. If the tool still does not work properly, return the tool, charger and battery pack, to a MILWAUKEE service facility for repairs.

⚠ WARNING To reduce the risk of personal injury and damage, never immerse your tool, battery pack or charger in liquid or allow a liquid to flow inside them.

Cleaning

Clean dust and debris from charger and tool vents. Keep tool handles clean, dry and free of oil or grease. Use only mild soap and a damp cloth to clean the tool, battery pack and charger since certain cleaning agents and solvents are harmful to plastics and other insulated parts. Some of these include gasoline, turpentine, lacquer thinner, paint thinner, chlorinated cleaning solvents, ammonia and household detergents containing ammonia. Never use flammable or combustible solvents around tools.

Repairs

For repairs, return the tool, battery pack and charger to the nearest service center listed on the back cover of this operator's manual.

ACCESSORIES

⚠ WARNING Always remove battery pack before changing or removing accessories. Only use accessories specifically recommended for this tool. Others may be hazardous.

For a complete listing of accessories refer to your MILWAUKEE Electric Tool catalog or go online to www.milwaukeetool.com. To obtain a catalog, contact your local distributor or a service center listed on the back cover of this operator's manual.

FIVE YEAR TOOL LIMITED WARRANTY

Every MILWAUKEE electric power tool (including battery charger) is warranted to the original purchaser only to be free from defects in material and workmanship. Subject to certain exceptions, MILWAUKEE will repair or replace any part on an electric power tool which, after examination, is determined by MILWAUKEE to be defective in material or workmanship for a period of five (5) years* after the date of purchase. Return the electric power tool and a copy of proof of purchase to a MILWAUKEE factory Service/Sales Support Branch location or MILWAUKEE Authorized Service Station, freight prepaid and insured, are requested for this warranty to be effective. This warranty does not apply to damage that MILWAUKEE determines to be from repairs made or attempted by anyone other than MILWAUKEE authorized personnel, misuse, alterations, abuse, normal wear and tear, lack of maintenance, or accidents.

* The warranty period for Hoists (lever, hand chain, & electric chain hoists), all Ni-CD battery packs, Work Lights (cordless flashlights), Job Site Radios, and Trade Titan™ Industrial Work Carts is one (1) year from the date of purchase. *The warranty period for Li-Ion battery packs that do not contain V™-technology – 4.0 volts through 18.0 volts - is two (2) years from the date of purchase.

*There is a separate warranty for V™-technology Li-Ion Battery Packs V™18 volts and above that accompany V™-technology cordless power tools:

*Every MILWAUKEE V™-technology Li-Ion Battery Pack 18 volts or above is covered by an initial 1000 Charges/2 Years free replacement warranty. This means that for the earlier of the first 1000 charges or two (2) years from the date of purchase/first charge, a replacement battery will be provided to the customer for any defective battery free of charge. Thereafter, customers will also receive an additional warranty on a pro rata basis up to the earlier of the first 2000 charges or five (5) Years from the date of purchase/first charge. This means that every customer gets an additional 1000 charges or three (3) years of pro rata warranty on the V™-technology Li-Ion Battery Pack 18 volts or above depending upon the amount of use. During this additional warranty period, the customer pays for only the useable service received over and above the first 1000 Charges/2 years, based on the date of first charge and number of charges found on the battery pack via Milwaukee's V™-technology Service Reader.

Warranty Registration is not necessary to obtain the applicable warranty on a MILWAUKEE product. The manufacturing date of the product will be used to determine the warranty period if no proof of purchase is provided at the time warranty service is requested.

ACCEPTANCE OF THE EXCLUSIVE REPAIR AND REPLACEMENT REMEDIES DESCRIBED HEREIN IS A CONDITION OF THE CONTRACT FOR THE PURCHASE OF EVERY MILWAUKEE PRODUCT. IF YOU DO NOT AGREE TO THIS CONDITION, YOU SHOULD NOT PURCHASE THE PRODUCT. IN NO EVENT SHALL MILWAUKEE BE LIABLE FOR ANY INCIDENTAL, SPECIAL, CONSEQUENTIAL OR PUNITIVE DAMAGES, OR FOR ANY COSTS, ATTORNEY FEES, EXPENSES, LOSSES OR DELAYS ALLEGED TO BE AS A CONSEQUENCE OF ANY DAMAGE TO, FAILURE OF, OR DEFECT IN ANY PRODUCT INCLUDING, BUT NOT LIMITED TO, ANY CLAIMS FOR LOSS OF PROFITS. THIS WARRANTY IS EXCLUSIVE AND IN LIEU OF ALL OTHER WARRANTIES OR CONDITIONS, WRITTEN OR ORAL, EXPRESSED OR IMPLIED. WITHOUT LIMITING THE GENERALITY OF THE FOREGOING, MILWAUKEE DISCLAIMS ANY IMPLIED WARRANTY OF MERCHANTABILITY OR FITNESS FOR A PARTICULAR USE OR PURPOSE, AND ALL OTHER WARRANTIES.

This warranty applies to product sold in the U.S.A., Canada and Mexico only.

Please consult the 'Service Center Search' in the Parts & Service section of MILWAUKEE's website www.milwaukeetool.com or call 1.800.SAWDUST (1.800.729.3878) to locate your nearest service facility for warranty and non-warranty service on a MILWAUKEE electric power tool.

RÈGLES DE SÉCURITÉ GÉNÉRALES RELATIVES AUX OUTILS ÉLECTRIQUES

AVERTISSEMENT

LIRE TOUTES LES RÈGLES ET INSTRUCTIONS DE SÉCURITÉ.

Ne pas suivre l'ensemble des règles et instructions peut entraîner une électrocution, un incendie ou des blessures graves.

Conserver les règles et les instructions à des fins de référence ultérieure.

Le terme «outil électrique» figurant dans les avertissements ci-dessous renvoie à l'outil électrique à alimentation par le réseau (à cordon) ou par batterie (sans fil).

SÉCURITÉ DU LIEU DE TRAVAIL

- **Maintenir la zone de travail propre et bien éclairée.** Les zones encombrées ou mal éclairées sont favorables aux accidents.
- **Ne pas utiliser d'outil électrique dans une atmosphère explosive, telle qu'en présence de liquides, de gaz ou de poussières inflammables.** Les outils électriques génèrent des étincelles qui peuvent enflammer les poussières ou les fumées.
- **Tenir les enfants et les personnes non autorisées à l'écart pendant le fonctionnement d'un outil électrique.** Un manque d'attention de l'opérateur risque de lui faire perdre le contrôle de l'outil.

SÉCURITÉ ÉLECTRIQUE

- **La fiche de l'outil électrique doit correspondre à la prise d'alimentation. Ne jamais modifier la fiche d'une manière quelconque. Ne pas utiliser d'adaptateur avec les outils électriques mis à la terre (à la masse).** Des fiches non modifiées et des prises d'alimentation assorties réduisent le risque de choc électrique.
- **Éviter tout contact corporel avec des surfaces reliées à la masse ou à la terre telles que tuyaux, radiateurs, cuisinières et réfrigérateurs.** Un risque de choc électrique plus élevé existe si le corps est relié à la masse ou à la terre.
- **Ne pas exposer les outils électriques à la pluie ou à l'humidité.** Le risque de choc électrique augmente si de l'eau s'infiltre dans un outil électrique.
- **Prendre soin du cordon. Ne jamais utiliser le cordon pour transporter, tirer ou débrancher l'outil électrique. Tenir le cordon à l'écart de la chaleur, des huiles, des arêtes coupantes ou des**

pièces en mouvement. Un cordon endommagé ou emmêlé présente un risque accru de choc électrique.

- **Se procurer un cordon d'alimentation approprié en cas d'utilisation d'un outil électrique à l'extérieur.** L'utilisation d'un cordon d'alimentation pour usage extérieur réduit le risque de choc électrique.
- **S'il est nécessaire d'utiliser l'outil électrique dans un endroit humide, installer un appareil à courant résiduel (RCD).** L'utilisation d'un RCD réduit le risque de décharge électrique.

SÉCURITÉ INDIVIDUELLE

- **Être sur ses gardes, être attentif et faire preuve de bon sens en utilisant un outil électrique. Ne pas utiliser un outil électrique en cas de fatigue ou sous l'influence de drogues, d'alcool ou de médicaments.** Un instant d'inattention lors de l'utilisation d'un outil électrique peut entraîner des blessures graves.
- **Porter l'équipement de protection requis. Toujours porter une protection oculaire.** Selon les conditions, porter aussi un masque anti-poussières, des bottes de sécurité antidérapantes, un casque protecteur ou une protection auditive afin de réduire les blessures.
- **Empêcher les démarrages accidentels. S'assurer que la gâchette est en position d'arrêt avant de brancher l'outil à une source de courant, d'insérer la batterie, de le ramasser ou de le transporter.** Le fait de transporter l'outil en gardant le doigt sur la gâchette ou de le brancher lorsque la gâchette est en position de marche favorise les accidents.
- **Retirer toute clé de réglage avant de mettre l'outil sous tension.** Une clé laissée attachée sur une pièce mobile de l'outil électrique peut entraîner des blessures.

- **Ne pas travailler à bout de bras. Bien garder un bon équilibre à tout instant.** Ceci permet de mieux préserver la maîtrise de l'outil électrique dans des situations imprévues.
- **Porter des vêtements adéquats. Ne pas porter de vêtements amples ni de bijoux. Ne pas approcher les cheveux, vêtements et gants des pièces en mouvement.** Les vêtements amples, les bijoux ou les cheveux longs risquent d'être happés par les pièces en mouvement.
- **Si des dispositifs sont prévus pour l'extraction et la récupération des poussières, vérifier qu'ils sont connectés et utilisés correctement.** L'utilisation de ces dispositifs peut réduire les risques liés aux poussières.

UTILISATION ET ENTRETIEN DE L'OUTIL ÉLECTRIQUE

- **Ne pas forcer l'outil électrique. Utiliser l'outil électrique approprié à l'application considérée.** L'outil électrique adapté au projet considéré produira de meilleurs résultats, dans des conditions de sécurité meilleures, à la vitesse pour laquelle il a été conçu.
- **Ne pas utiliser l'outil électrique si le commutateur ne le met pas sous ou hors tension.** Tout outil électrique dont le commutateur de marche-arrêt est inopérant est dangereux et doit être réparé.
- **Débrancher la fiche de la prise d'alimentation et/ou la batterie de l'outil électrique avant d'effectuer des réglages, de changer d'accessoires ou de ranger l'outil.** De telles mesures de sécurité préventive réduisent le risque de mettre l'outil en marche accidentellement.
- **Ranger les outils électriques inutilisés hors de la portée des enfants et ne pas laisser des personnes qui connaissent mal les outils électriques ou ces instructions utiliser ces outils.** Les outils électriques sont dangereux dans les mains d'utilisateurs non formés à leur usage.
- **Entretien des outils électriques. S'assurer de l'absence de tout désalignement ou de grippage des pièces mobiles, de toute rupture de pièce ou de toute autre condition qui pourrait affecter le bon fonctionnement de l'outil électrique.** En cas de dommages, faire réparer l'outil avant de l'utiliser de nouveau. Les outils électriques mal entretenus sont à la source de nombreux accidents.

- **Garder les outils de coupe affûtés et propres.** Les outils de coupe correctement entretenus et bien affûtés risquent moins de se gripper et sont plus faciles à manier.
- **Utiliser l'outil électrique, les accessoires, les grains etc. conformément à ces instructions en tenant compte des conditions de travail et de la tâche à effectuer.** L'utilisation de cet outil électrique pour effectuer une opération pour laquelle il n'est pas conçu peut occasionner une situation dangereuse.

UTILISATION ET ENTRETIEN DE LA BATTERIE

- **Ne recharger la batterie qu'avec le chargeur spécifié par le fabricant.** Un chargeur qui convient à un type de batterie peut créer un risque d'incendie s'il est utilisé avec un autre type de batterie.
- **N'utiliser les outils électriques qu'avec les batteries spécialement conçues pour eux.** L'utilisation de batteries d'autres marques peut créer un risque de blessure et d'incendie.
- **Lorsque la batterie est hors service, la ranger à l'écart d'autres objets métalliques tels que trombones, pièces de monnaie, clés, clous, vis et autres petits objets métalliques qui peuvent établir une connexion d'une borne à l'autre.** Un court-circuit aux bornes de la batterie peut provoquer des brûlures ou un incendie.
- **Du liquide peut être éjecté de la batterie en cas de manutention abusive ; éviter tout contact. En cas de contact accidentel avec les projections, rincer à l'eau. En cas de contact avec les yeux, consulter un médecin.** Le liquide s'échappant de la batterie peut provoquer des irritations ou des brûlures.

ENTRETIEN

- **Faire effectuer l'entretien de l'outil électrique par un technicien qualifié qui n'utilisera que des pièces de rechange identiques.** La sécurité d'utilisation de l'outil en sera préservée.

RÈGLES DE SÉCURITÉ SPÉCIFIQUES

DANGER:

- **Garder les mains à l'écart de la zone de coupe et de la lame. Maintenir l'autre main sur la poignée auxiliaire ou sur le carter du moteur.** Si les deux mains tiennent la scie, elles ne peuvent pas être coupées par la lame.

- **Ne pas tendre la main vers le dessous de pièce de travail.** Le garant n'offre aucune protection contre la lame sous la pièce de travail.
- **Régler la profondeur de coupe en fonction de l'épaisseur de la pièce de travail.** Moins d'une dent complète des dents de la lame doit être visible sous la pièce de travail.
- **NE JAMAIS maintenir la pièce dont la coupe est en cours avec les mains ou contre la jambe. Fixer la pièce de travail à une plate-forme stable.** Il est important de supporter correctement la pièce pour minimiser l'exposition du corps, le grippage de la lame ou la perte de contrôle de cette dernière.
- **Tenir l'outil électrique par les surfaces de prise isolées si, au cours des travaux, l'outil de coupe risque d'entrer en contact avec des fils cachés ou avec son propre cordon.** Le contact avec un fil sous tension met les parties métalliques exposées de l'outil sous tension, ce qui inflige une secousse électrique à l'opérateur.
- **Lors du sciage en long, toujours utiliser un guide longitudinal ou un guide à bord droit.** Ceci améliore la précision de la coupe et réduit les risques de grippage de la lame.
- **Toujours utiliser des lames avec des trous d'alésage central de la taille et de la forme (en diamant comparé aux trous ronds) corrects.** Les lames qui ne correspondent pas à la visserie de montage de la lame fonctionnent de façon excentrée, causant une perte de contrôle.
- **Ne jamais utiliser des rondelles ou des vis de lame endommagées ou incorrectes.** Les rondelles et les vis de la lame sont spécialement conçues pour la scie, pour des performances et une sécurité de fonctionnement optimales.

Causes des effets de REBOND et leur prévention par l'opérateur:

Un REBOND est la brusque réaction d'une lame de scie pincée, coincée ou mal alignée, provoquant un relèvement incontrôlé de la lame hors de la pièce de travail vers l'opérateur.

Lorsque la lame est fermement pincée ou coincée par la fermeture du trait de scie, la lame cale et la réaction du moteur entraîne rapidement l'unité en arrière vers l'opérateur.

Si la lame devient vrillée ou mal alignée en cours de coupe, les dents du bord arrière de la lame peuvent creuser dans la sur-

face supérieure du bois, ce qui peut faire sauter la lame hors du trait de scie et vers l'opérateur.

Un REBOND est le résultat d'une mauvaise utilisation de la scie et/ou de procédures ou de conditions d'utilisation incorrectes et il peut être évité en prenant les précautions appropriées suivantes:

- **Maintenir une prise ferme des deux mains sur la scie et positionner les bras de sorte à résister aux rebonds éventuels.** Se maintenir d'un côté ou de l'autre de la lame et non pas dans le prolongement de celle-ci. Un rebond peut provoquer un saut en arrière de la lame mais le choc en retour peut être contrôlé par l'opérateur si les précautions correctes sont prises.
- **Quand la lame est grippée ou lors de l'interruption d'une coupe pour une raison quelconque, relâcher ladéente et maintenir la scie immobile dans le matériau jusqu'à l'arrêt total de la lame. Ne jamais tenter de retirer la lame de la pièce ou de tirer la lame en arrière lorsque la lame est en mouvement afin d'éviter tout rebond.** Rechercher la cause du grippage de la lame et prendre les actions correctives pour l'éliminer.
- **Lors du redémarrage d'une scie dans la pièce de travail, centrer la lame de la scie dans le trait et vérifier que les dents de la lame ne sont pas engagées dans le matériau.** Si la lame de la scie est grippée, elle peut remonter ou rebondir de la pièce de travail lors du redémarrage de la scie.
- **Supporter les grands panneaux pour minimiser les risques de pincement ou de retour de la lame.** Les grands panneaux ont tendance à fléchir sous leur propre poids. Des supports doivent être placés des deux côtés sous le panneau, près de la ligne de coupe et près du bord du panneau.
- **Ne pas utiliser une lame émoussée ou endommagée.** Des lames émoussées ou montées incorrectement produisent un trait de scie fin provoquant des frictions excessives, des grippages et des rebonds de lame.
- **Les leviers de verrouillage de la profondeur de la lame et de réglage du biseau doivent être serrés et fixés avant d'effectuer la coupe.** Le grippage et le rebond de la lame peuvent être provoqués par une modification du réglage de la lame lors de la coupe.

- **Faire preuve de précaution supplémentaire lors d'une «coupe en plongée» (ou en alvéole) dans des murs existants ou d'autres zones aveugles.** La lame protubérante peut couper des objets qui peuvent provoquer un rebond.
- **Vérifier la fermeture correcte du garant inférieur avant chaque utilisation. Ne pas utiliser la scie si le garant inférieur ne se déplace pas librement et ne se ferme pas instantanément. Ne jamais fixer ou attacher le garant inférieur en position ouverte.** Si la scie tombe accidentellement, le garant inférieur risque d'être tordu. Relever le garant inférieur avec son levier et s'assurer qu'il se déplace librement et ne touche pas la lame ou toute autre pièce, quels que soient les angles et les profondeurs de coupe.
- **Vérifier le fonctionnement du ressort du garant inférieur. Si le garant et le ressort ne fonctionnent pas correctement, les réparer avant utilisation.** Le garant inférieur peut fonctionner lentement en raison de pièces endommagées, de dépôts gommeux ou d'accumulation de débris.
- **Le garant inférieur ne doit être manuellement rétracté que pour des coupes spéciales telles que les «coupes en plongée» («coupes en alvéole») ou les «coupes composées».** Relever le garant inférieur par son levier du garant et, dès que la lame pénètre dans le matériau, le garant inférieur doit être relâché. Pour toutes les autres coupes, le garant inférieur doit fonctionner automatiquement.

- **Toujours s'assurer que le garant inférieur recouvre la lame avant de mettre la scie sur un établi ou sur le sol.** Une lame en roue libre non protégée fait progresser la scie en arrière en coupant tout sur son passage. Être conscient de la durée nécessaire à la lame pour s'immobiliser après avoir relâché la commande.
- **Maintenir en l'état les étiquettes et les plaques d'identification.** Des informations importantes y figurent. Si elles sont illisibles ou manquantes, contacter un centre de services et d'entretien MILWAUKEE pour un remplacement gratuit.
- **AVERTISSEMENT!** Certaines poussières générées par les activités de ponçage, de coupe, de rectification, de perçage et d'autres activités de construction contiennent des substances considérées être la cause de malformations congénitales et de troubles de l'appareil reproducteur. Parmi ces substances figurent:
 - le plomb contenu dans les peintures à base de plomb
 - la silice cristalline des briques, du ciment et d'autres matériaux de maçonnerie, ainsi que
 - l'arsenic et le chrome des sciages traités chimiquement.
 Les risques encourus par l'opérateur envers ces expositions varient en fonction de la fréquence de ce type de travail. Pour réduire l'exposition à ces substances chimiques, l'opérateur doit : travailler dans une zone bien ventilée et porter l'équipement de sécurité approprié, tel qu'un masque anti-poussière spécialement conçu pour filtrer les particules microscopiques.

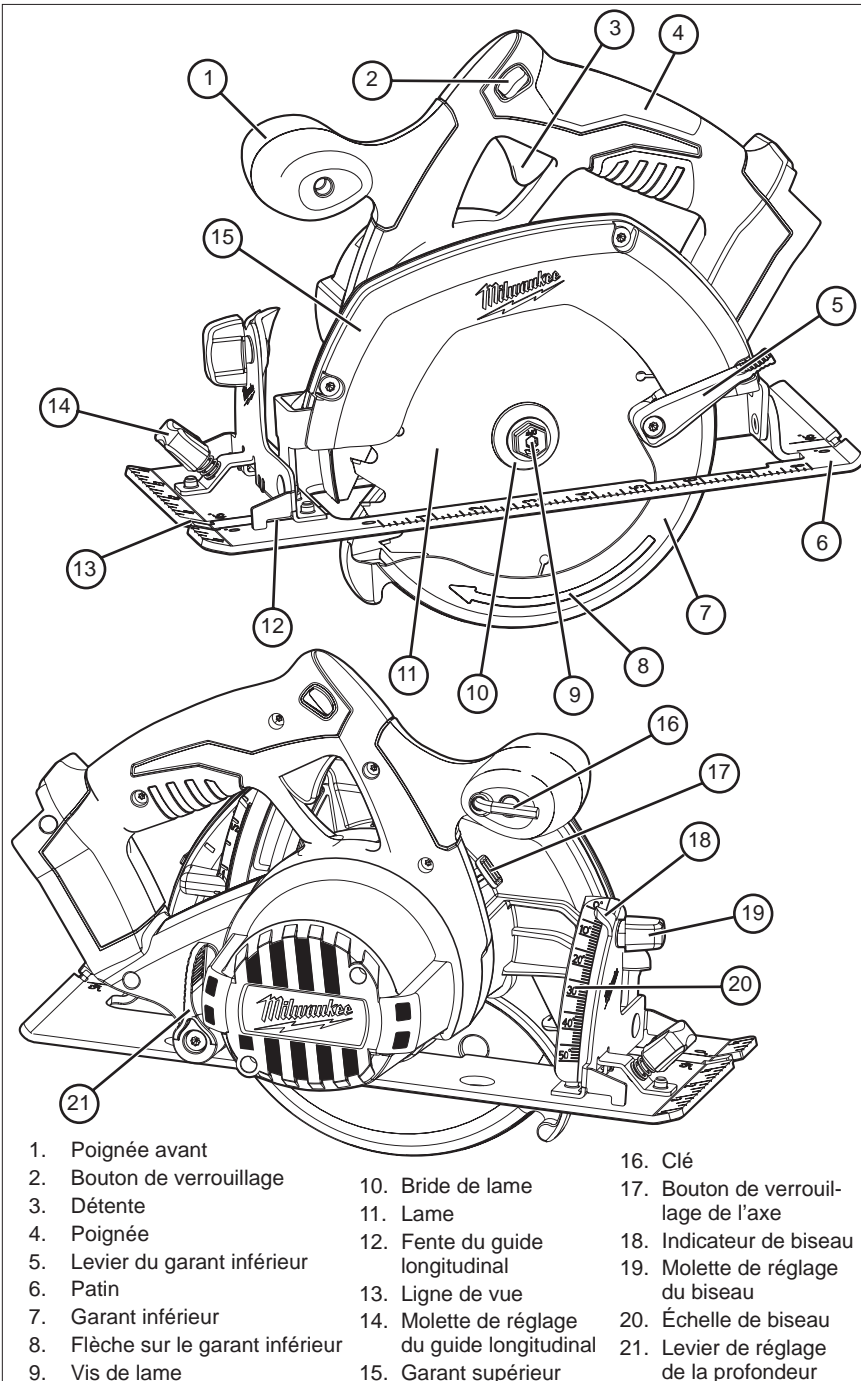
Pictographie

	Tension CD seul.
$n_0 \text{ XXXXmin.}^{-1}$	Tours à vide par minute (RPM)
	Underwriters Laboratories, Inc., États-Unis et Canada

Spécifications

No de cat.	Volts cd	RPM	Taille de la lame	Alésage	Profondeur de coupe à 90°	Profondeur de coupe à 45°
2630-20	18	3 200	165 mm (6-1/2")	5/8"	0 à 54 mm (0 à 2-1/8")	0 à 40 mm (0 à 1-9/16")

DESCRIPTION FONCTIONNELLE



MONTAGE DE L'OUTIL

AVERTISSEMENT Ne recharger la batterie qu'avec le chargeur spécifié. Pour les instructions de charge spécifiques, lire le manuel d'utilisation fourni avec le chargeur et les batteries. Cet outil n'est pas compatible avec les systèmes NiCd et de technologie V™.

Insertion du bloc de piles dans l'outil

Insérez le bloc de piles à partir de l'avant en le faisant glisser dans le corps de l'outil. Insérez le bloc de piles jusqu'à ce que son loquet se verrouille. Pour retirer le bloc de piles, enfoncez les deux loquets de la pile et faites glisser le bloc hors de l'outil.

AVERTISSEMENT Verrouillez toujours la détente ou retirez la batterie avant de changer ou d'enlever les accessoires. Utilisez les accessoires spécifiquement recommandés pour cet outil, l'utilisation d'autres accessoires pourrait comporter des risques.

Sélection de la lame

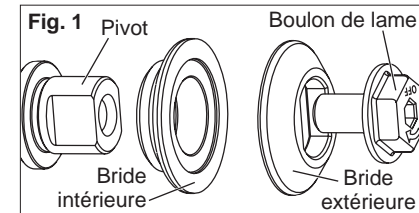
Toujours utiliser des lames affûtées. Des lames émoussées ont tendance à surcharger l'outil et augmentent les risques de REBOND (voir «Causes des effets de REBOND et leur prévention par l'opérateur»). N'utiliser que des lames à trait fin avec une vitesse de fonctionnement maximale en toute sécurité supérieure à la vitesse de rotation sans charge indiquée sur la plaque d'identification de l'outil. Lire les instructions du fabricant de la lame avant de l'utiliser. Ne pas utiliser un type quelconque de meule à tronçonner abrasive ou de lame de coupe en diamant.

Installation et démontage des lames

1. RETIRER LA BATTERIE AVANT L'INSTALLATION OU LE DÉMONTAGE DES LAMES.
2. Mettre la scie sur une surface plate avec la lame vers le haut. Pour retirer la vis de l'axe, enfoncez le bouton de verrouillage de l'axe. Tout en maintenant le bouton de verrouillage de l'axe enfoncé, utiliser la clé fournie avec l'outil pour tourner la vis dans le sens horaire. Retirer la vis et la bride de la lame.

3. Faire glisser le levier du garant inférieur vers le haut pour relever le garant inférieur. Retirer la lame de l'axe. Toujours nettoyer l'axe, le garant inférieur et le garant supérieur pour éliminer la saleté et la sciure.

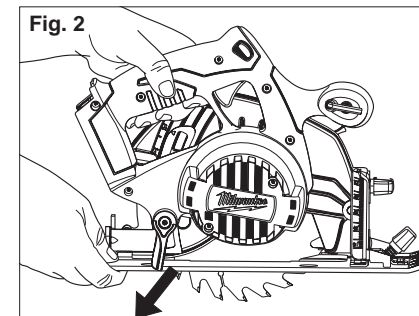
N.B. : N'enlevez pas la bride intérieure de lame. Le plus grand diamètre de la bride intérieure doit appuyer sur la lame (Fig. 1).



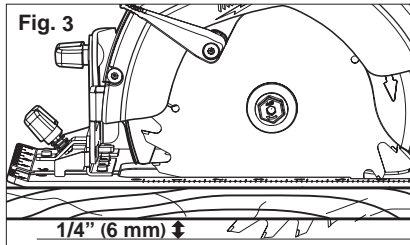
4. Pour installer une lame, la placer sur l'axe avec les dents pointant dans la même direction que la flèche sur le garant inférieur. Relâcher le levier du garant inférieur.
5. Placer la bride de la lame sur l'axe et serrer la vis à la main.
6. Tout en maintenant le bouton de verrouillage de l'axe enfoncé, utiliser la clé fournie avec l'outil pour tourner la vis dans le sens anti-horaire et serrer.

Réglage de la profondeur

1. Retirer la batterie.
2. Pour régler la profondeur de coupe, maintenir la scie par la poignée et desserrer le levier de réglage de la profondeur en le poussant vers le bas, en direction du patin (Fig. 2).



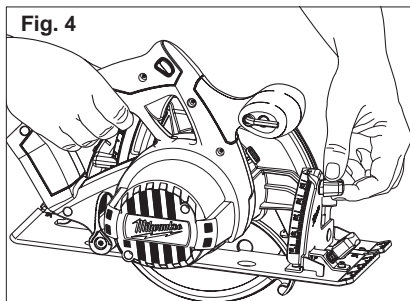
3. Relever ou abaisser le patin à la position souhaitée. Des repères à incréments d'6 mm (1/4") sont situés sur les côtés intérieurs du garant supérieur pour le réglage de la profondeur. Pour le réglage correct de la profondeur, la lame ne doit pas être déployée de plus d'3 à 6 mm (1/8" à 1/4") au-dessous du matériau à couper (Fig. 3).



4. Relever le levier de réglage de la profondeur vers le haut en direction du carter du moteur pour fixer la position du patin.

Réglage de l'angle du biseau

1. Retirer la batterie.
2. Pour régler l'angle de coupe, maintenir la scie par la poignée et desserrer la molette de réglage du biseau (Fig. 4).

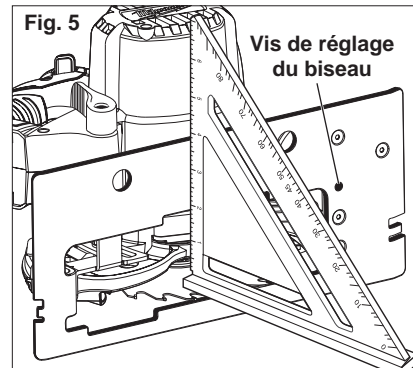


3. Maintenir l'avant du patin et faire tourner la scie par la poignée à l'angle souhaité comme indiqué par les repères de l'échelle du biseau.
4. Serrer fermement la molette de réglage du biseau.

Réglage de la lame au patin

Le patin a été réglé en usine à un angle de 90°. Inspecter régulièrement la scie pour s'assurer que la lame est à 90° du patin.

1. Retirer la batterie.
2. Régler l'indicateur de biseau sur zéro.
3. Pour s'assurer que la lame est à 90 degrés du patin, placer la scie sur le côté de la lame et rétracter le garant inférieur. Placer une équerre contre la lame et le patin et vérifier le réglage de l'inclinaison (Fig. 5).



4. Pour régler l'inclinaison, desserrer la molette de réglage du biseau. Visser ou dévisser la vis de réglage du biseau jusqu'à ce que la lame soit à un angle de 90° du patin.
5. Serrer fermement la molette de réglage du biseau.

MANIEMENT

⚠ AVERTISSEMENT Pour réduire le risque de blessures, garder les mains à l'écart de la lame et des autres pièces en mouvement. Toujours porter des lunettes à coques ou des lunettes de protection avec écrans latéraux. N'utiliser que les accessoires spécifiquement recommandés. Les accessoires non recommandés peuvent présenter des dangers.

Causes des effets de REBOND et leur prévention par l'opérateur:

Un REBOND est la brusque réaction d'une lame de scie pincée, coincée ou mal alignée, provoquant un relèvement incontrôlé de la lame hors de la pièce de travail vers l'opérateur.

Lorsque la lame est fermement pincée ou coincée par la fermeture du trait de scie, la lame cale et la réaction du moteur entraîne rapidement l'unité en arrière vers l'opérateur.

Si la lame devient vrillée ou mal alignée en cours de coupe, les dents du bord arrière de la lame peuvent creuser dans la surface supérieure du bois, ce qui peut faire sauter la lame hors du trait de scie et vers l'opérateur.

Un REBOND est le résultat d'une mauvaise utilisation de la scie et/ou de procédures ou de conditions d'utilisation incorrectes et il peut être évité en prenant les précautions appropriées suivantes:

- **Maintenir une prise ferme des deux mains sur la scie et positionner les bras de sorte à résister aux rebonds éventuels.** Se maintenir d'un côté ou de l'autre de la lame et non pas dans le prolongement de celle-ci. Un rebond peut provoquer un saut en arrière de la lame mais le choc en retour peut être contrôlé par l'opérateur si les précautions correctes sont prises.
- **Quand la lame est grippée ou lors de l'interruption d'une coupe pour une raison quelconque, relâcher ladéente et maintenir la scie immobile dans le matériau jusqu'à l'arrêt total de la lame. Ne jamais tenter de retirer la lame de la pièce ou de tirer la lame en arrière lorsque la lame est en mouvement afin d'éviter tout rebond.** Rechercher la cause du grippage de la lame et prendre les actions correctives pour l'éliminer.
- **Lors du redémarrage d'une scie dans la pièce de travail, centrer la lame de la scie dans le trait et vérifier que les dents**

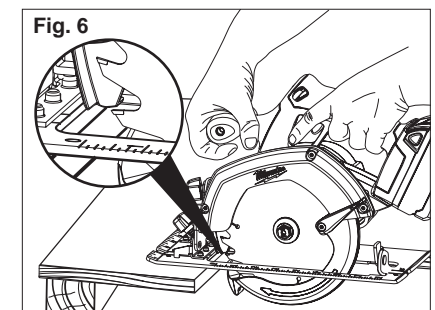
de la lame ne sont pas engagées dans le matériau. Si la lame de la scie est grippée, elle peut remonter ou rebondir de la pièce de travail lors du redémarrage de la scie.

- **Supporter les grands panneaux pour minimiser les risques de pincement ou de retour de la lame.** Les grands panneaux ont tendance à fléchir sous leur propre poids. Des supports doivent être placés des deux côtés sous le panneau, près de la ligne de coupe et près du bord du panneau.
- **Ne pas utiliser une lame émoussée ou endommagée.** Des lames émoussées ou montées incorrectement produisent un trait de scie fin provoquant des frictions excessives, des grippages et des rebonds de lame.
- **Les leviers de verrouillage de la profondeur de la lame et de réglage du biseau doivent être serrés et fixés avant d'effectuer la coupe.** Le grippage et le rebond de la lame peuvent être provoqués par une modification du réglage de la lame lors de la coupe.
- **Faire preuve de précaution supplémentaire lors d'une « coupe en plongée » (ou en alvéole) dans des murs existants ou d'autres zones aveugles.** La lame protubérante peut couper des objets qui peuvent provoquer un rebond.

Fonctionnement général

Toujours fixer fermement la pièce de travail sur un chevalet de sciage ou un établi. Voir «APPLICATIONS» pour la façon correcte de supporter la pièce de travail dans diverses situations.

1. Tracer une ligne de coupe. Placer l'avant du patin sur le bord de la pièce de travail sans toucher la lame. Maintenir la poignée d'une main et la poignée avant de l'autre (Fig. 6).



- Aligner la ligne de vue avec la ligne de coupe. Positionner les bras et le corps pour résister à un REBOND éventuel.
- Pour mettre la scie en marche, pousser le bouton de verrouillage vers le bas tout en appuyant sur la détente. Laisser le moteur atteindre sa pleine vitesse avant de commencer à couper.
- Tout en découpant, maintenir le patin plat contre la pièce de travail et maintenir une prise ferme. Ne pas forcer la scie à travers la pièce de travail. Le fait de forcer une scie peut provoquer un REBOND.
- En cas de coupe partielle, de redémarrage à mi-coupe ou de correction de la direction, attendre l'arrêt complet de la lame. Centrer la lame dans le trait de scie, dégager la scie du bord de coupe de quelques centimètres, appuyer sur la détente et pénétrer de nouveau lentement dans la fente.
- Si la lame se grippe ou cale, maintenir une prise ferme et relâcher immédiatement la détente. Maintenir la scie immobile dans la pièce de travail jusqu'à ce que la lame s'arrête complètement.
- Après avoir terminé une coupe, s'assurer que le garant inférieur se ferme et que la lame s'arrête complètement avant de poser la scie.

Frein électrique

Le frein électrique s'enclenche lors du relâchement de la pression sur la détente, ce qui a pour effet d'immobiliser la lame et de permettre à l'opérateur de poursuivre son travail. La lame de scie s'immobilise généralement dans les deux secondes qui suivent. Un délai peut se produire toutefois entre le relâchement total de la pression exercée sur la détente et l'enclenchement du frein. Il se peut qu'occasionnellement le frein ne s'enclenche pas du tout. En cas de dysfonctionnement fréquent du frein, faire réparer la scie par un centre d'entretien MILWAUKEE agréé. Le frein n'est pas une alternative au garant et il faut toujours attendre l'arrêt complet de la lame avant de retirer la scie de la pièce de travail.

Dépannage

Si la lame ne suit pas une ligne droite:

- Les dents sont émoussées. Ceci résulte du heurt avec un objet dur tel qu'une pointe ou une pierre, émoussant les dents d'un côté. La lame a tendance à couper du côté ayant les dents les plus affûtées.
- Le patin n'est pas aligné ou est tordu
- La lame est tordue
- Le guide longitudinal ou le guide ne sont pas utilisés

Si la lame se grippe, fume ou bleuit en raison de la friction:

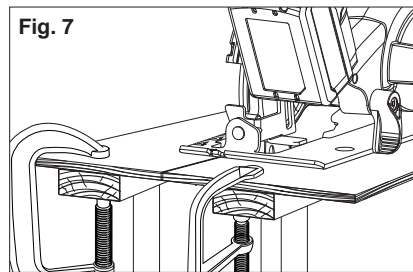
- La lame est émoussée
- La lame est montée à l'envers
- La lame est tordue
- La lame est sale
- La pièce de travail n'est pas correctement supportée
- Une lame incorrecte est utilisée

APPLICATIONS

Coupe de grands panneaux

Les grands panneaux et les longues planches fléchissent ou ploient s'ils ne sont pas correctement supportés. En cas de coupe d'une pièce de travail qui n'est ni de niveau ni supportée, la lame risque de se gripper et de provoquer des REBONDS.

Supporter les grands panneaux. S'assurer de régler la profondeur de coupe afin de ne couper qu'à travers la pièce de travail et non pas à travers les supports.



Sciage de bois transversal

Le sciage transversal consiste à scier en travers du grain. Sélectionner la lame correcte pour le travail. Avancer la scie lentement pour éviter l'éclatement du bois.

Sciage de bois longitudinal

Le sciage longitudinal consiste à scier dans le sens de la longueur avec le grain. Sélectionner la lame correcte pour le travail. Utiliser un guide longitudinal ou un guide de bordure pour des sciages en long d'une largeur maximale de 100 mm (4 pouces). Pour installer le guide longitudinal, faire glisser la barre par la fente du guide longitudinal sur un des deux côtés du patin. La largeur de coupe est la distance de l'intérieur de la lame au bord intérieur du guide longitudinal. Régler le guide longitudinal pour la largeur souhaitée et verrouiller le réglage en serrant la molette de réglage du guide longitudinal.

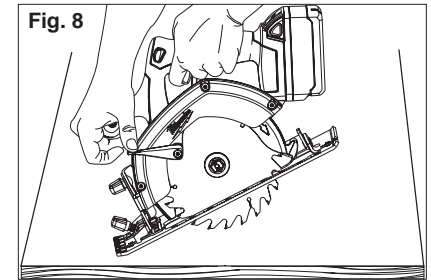
Quand les largeurs de sciage longitudinal sont supérieures à 100 mm (4 pouces), brider ou clouer une pièce de bois d'25 mm (1 pouce) à la pièce de travail et utiliser le bord intérieur du patin comme un guide.

AVERTISSEMENT Pour réduire les risques de chocs électriques, vérifier la zone de travail à la recherche de tuyaux et de fils cachés avant d'effectuer des coupes en alvéole.

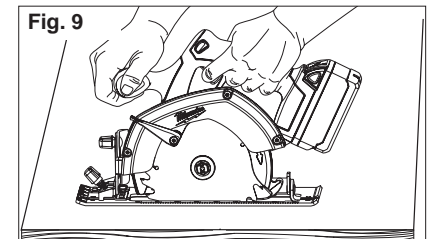
Coupe en alvéole

Les coupes en alvéole sont faites au milieu d'une pièce de travail lorsqu'elle ne peut pas être découpée à partir d'un bord. Il est recommandé d'utiliser une scie alternative Sawzall® ou une scie sauteuse pour ce type de coupe. Toutefois, s'il est nécessaire d'utiliser une scie circulaire pour effectuer une coupe en alvéole, FAIRE PREUVE D'EXTRÊME PRUDENCE. Pour garder le contrôle de la scie lors de la coupe en alvéole, maintenir les deux mains sur la scie.

- Commencer à un coin, aligner la ligne de vue avec la ligne de coupe. Basculer la scie vers l'avant, en fixant fermement l'avant du patin sur la pièce de travail (Fig. 8). La lame doit être juste au-dessus de la ligne de coupe, sans la toucher. Relever le garant inférieur en utilisant le levier du garant inférieur.



- Pour mettre la scie en marche, pousser le bouton de verrouillage vers le bas tout en appuyant sur la détente. Attendre que le moteur atteigne sa pleine vitesse avant de commencer à couper. En utilisant l'avant du patin comme un point de charnière, abaisser progressivement l'extrémité arrière de la scie dans la pièce de travail. Relâcher le levier du garant inférieur et saisir la poignée avant.
- Quand le patin repose à plat contre la pièce de travail, avancer la scie vers le coin éloigné (Fig. 9). Relâcher la détente et laisser la lame s'arrêter complètement avant de la retirer de la pièce de travail. Répéter les étapes ci-dessus pour chaque côté de l'ouverture. Utiliser une scie alternative Sawzall®, une scie sauteuse ou une petite scie égoïne pour finir les coins s'ils ne sont pas complètement coupés.



ENTRETIEN

AVERTISSEMENT Pour minimiser les risques de blessures corporelles, débranchez le chargeur et retirez la batterie du chargeur ou de l'outil avant d'y effectuer des travaux d'entretien. Ne démontez jamais l'outil, la batterie ou le chargeur. Pour toute réparation, consultez un centre de service MILWAUKEE accrédité.

Entretien de l'outil

Gardez l'outil, la batterie et le chargeur en bon état en adoptant un programme d'entretien ponctuel. Après une période de six mois à un an, selon l'utilisation, renvoyez l'outil, la batterie et le chargeur à un centre de service MILWAUKEE accrédité pour les services suivants:

- Lubrification
- Inspection et nettoyage de la mécanique (engrenages, pivots, coussinets, boîtier etc.)
- Inspection électrique (batterie, chargeur, moteur)
- Vérification du fonctionnement électromécanique

Si l'outil ne démarre pas ou ne fonctionne pas à pleine puissance alors qu'il est branché sur une batterie complètement chargée, nettoyez les points de contact entre la batterie et l'outil. Si l'outil ne fonctionne toujours pas correctement, renvoyez l'outil, le chargeur et la batterie à un centre de service MILWAUKEE accrédité, afin qu'on en effectue la réparation (voir "Réparations").

AVERTISSEMENT Pour minimiser les risques de blessures ou de dommages à l'outil, n'immergez jamais l'outil, la batterie ou le chargeur et ne laissez pas de liquide s'y infiltrer.

Nettoyage

Débarrassez les événements du chargeur et de l'outil des débris et de la poussière. Gardez les poignées de l'outil propres, à sec et exemptes d'huile ou de graisse. Le nettoyage de l'outil, du chargeur et de la batterie doit se faire avec un linge humide et un savon doux. Certains nettoyeurs tels l'essence, la térébenthine, les diluants à laque ou à peinture, les solvants chlorés, l'ammoniaque et les détergents d'usage domestique qui en contiennent pourraient détériorer le plastique et l'isolation des pièces. Ne laissez jamais de solvants inflammables ou combustibles auprès de l'outil.

Réparations

Pour les réparations, retournez outil, batterie et chargeur en entier au centre-service le plus près, selon la liste apparaissant à la dernière page de ce manuel.

ACCESSOIRES

AVERTISSEMENT Retirez toujours la batterie avant de changer ou d'enlever les accessoires. L'utilisation d'autres accessoires que ceux qui sont spécifiquement recommandés pour cet outil peut comporter des risques.

Pour une liste complète des accessoires, prière de se reporter au catalogue MILWAUKEE Electric Tool ou visiter le site internet www.milwaukeeetool.com. Pour obtenir un catalogue, il suffit de contacter votre distributeur local ou l'un des centres-service énumérés sur la page de couverture de ce manuel.

GARANTIE LIMITÉE DE L'OUTIL DE CINQ ANS

Chaque outil électrique MILWAUKEE (y compris le chargeur de batterie) est garanti à l'acheteur d'origine être exempt de vice du matériau et de fabrication. Sous réserve de certaines exceptions, MILWAUKEE réparera ou remplacera toute pièce d'un outil électrique qui, après examen, sera avéré par MILWAUKEE être affecté d'un vice du matériau ou de fabrication pendant une période de cinq (5) ans* après la date d'achat. Le retour de l'outil électrique, accompagné d'une copie de la preuve d'achat à un site d'entretien d'usine/de promotion des ventes de MILWAUKEE ou à un poste d'entretien agréé MILWAUKEE, en port prépayé et assuré, est requis pour que cette garantie s'applique. Cette garantie ne couvre pas les dommages que MILWAUKEE détermine être causés par des réparations ou des tentatives de réparation par quiconque autre que le personnel agréé par MILWAUKEE, des utilisations incorrectes, des altérations, des utilisations abusives, une usure normale, une carence d'entretien ou les accidents.

* La période de garantie pour les palans (palans à levier, à chaîne manuelle et à chaîne électrique), tous les blocs de batteries au NiCd, les projecteurs de travail (lampes torches sans fil), les radios de chantier et les chariots de travail industriels Trade Titan™ est d'un (1) an à partir de la date d'achat. *La période de garantie pour les blocs de batteries au lithium-ion qui ne sont pas équipés de la technologie V™ (entre 4 et 18 volts) est de deux (2) ans à partir de la date d'achat.

*Il existe une garantie séparée pour les blocs de batteries au lithium-ion avec technologie V™ de 18 volts et plus qui accompagnent les outils électriques sans fil de technologie V™ :

*Chaque batterie au lithium-ion 18 volts ou plus de technologie MILWAUKEE V™ est couverte par une garantie de remplacement gratuit initial pour 1 000 charges/2 ans. Ceci signifie qu'avant les 1 000 premières charges ou deux (2) années suivant la date d'achat/la première charge, une batterie de rechange sera fournie gratuitement au client pour toute batterie défectueuse. Par la suite, les clients recevront aussi une garantie supplémentaire calculée au prorata dans la limite de 2 000 charges ou cinq (5) années suivant la date d'achat/la première charge, à la première échéance. Ceci signifie que chaque client obtient une garantie au prorata supplémentaire de 1 000 charges ou de trois (3) années sur les batteries au lithium-ion 18 volts ou plus de technologie V™ en fonction de l'utilisation. Pendant cette période de garantie supplémentaire, le client ne paye que pour le service utilisable reçu au-delà des 1 000 premières charges/2 premières années, en fonction de la date de la première charge et du nombre de charges des batteries déterminés par le lecteur de service MILWAUKEE de technologie V™.

L'enregistrement de la garantie n'est pas nécessaire pour bénéficier de la garantie en vigueur sur un produit MILWAUKEE. La date de fabrication du produit servira à établir la période de garantie si aucune preuve d'achat n'est fournie lorsqu'une demande de service sous garantie est faite.

L'ACCEPTATION DES RECOURS EXCLUSIFS DE RÉPARATION ET DE REMPLACEMENT DÉCRITS PAR LES PRÉSENTES EST UNE CONDITION DU CONTRAT D'ACHAT DE TOUT PRODUIT MILWAUKEE. SI VOUS N'ACCEPTEZ PAS CETTE CONDITION, VOUS NE DEVEZ PAS ACHETER LE PRODUIT. EN AUCUN CAS MILWAUKEE NE SAURAIT ÊTRE RESPONSABLE DE TOUT DOMMAGE ACCESSOIRE, SPÉCIAL OU INDIRECT, DE DOMMAGES-INTÉRÊTS PUNITIFS OU DE TOUTE DÉPENSE, D'HONORAIRES D'AVOCATS, DE FRAIS, DE PERTE OU DE DÉLAIS ACCESSOIRES À TOUT DOMMAGE, DÉFAILLANCE OU DÉFAUT DE TOUT PRODUIT, Y COMPRIS NOTAMMENT LES PERTES DE PROFIT. CETTE GARANTIE EST EXCLUSIVE ET REMPLACE TOUTE AUTRE GARANTIE OU CONDITION, ÉCRITE OU VERBALE, EXPRESSE OU IMPLICITE. SANS LIMITER LA GÉNÉRALITÉ DES DISPOSITIONS PRÉCÉDENTES, MILWAUKEE DÉCLINE TOUTE GARANTIE IMPLICITE DE QUALITÉ MARCHANDE OU D'ADAPTATION À UNE UTILISATION OU À UNE FIN PARTICULIÈRE ET TOUTE AUTRE GARANTIE.

Cette garantie s'applique aux produits vendus aux États-Unis, au Canada et au Mexique uniquement.

ADVERTENCIAS DE SEGURIDAD GENERALES PARA LA HERRAMIENTA ELÉCTRICA

ADVERTENCIA

LEA TODAS LAS ADVERTENCIAS E INSTRUCCIONES DE SEGURIDAD.

Si no sigue todas las advertencias e instrucciones, se pueden provocar una descarga eléctrica, un incendio o lesiones graves.

Guarde todas las advertencias e instrucciones para consultarlas en el futuro.

El término “herramienta eléctrica” en todas las advertencias incluidas más abajo se refiere a su herramienta operada por conexión (cable) a la red eléctrica o por medio de una batería (inalámbrica).

SEGURIDAD EN EL ÁREA DE TRABAJO

- Mantenga limpia y bien iluminada el área de trabajo. Las áreas desordenadas u oscuras contribuyen a que se produzcan accidentes.
- No utilice herramientas eléctricas en atmósferas explosivas, como en la presencia de líquidos, gases o polvo inflamables. Las herramientas eléctricas crean chispas que pueden incendiar el polvo o las emanaciones.
- Mantenga a los niños y otras personas alejadas mientras utiliza una herramienta eléctrica. Las distracciones pueden hacerle perder el control.

SEGURIDAD ELÉCTRICA

- Los enchufes de las herramientas eléctricas deben ser del mismo tipo que el tomacorrientes. Nunca realice ningún tipo de modificación en el enchufe. No use enchufes adaptadores con herramientas eléctricas con conexión a tierra. Se reducirá el riesgo de descarga eléctrica si no se modifican los enchufes y los tomacorrientes son del mismo tipo.
- Evite el contacto corporal con superficies con conexión a tierra, como tuberías, radiadores, estufas y refrigeradores. El riesgo de descarga eléctrica aumenta si su cuerpo está conectado a tierra.
- No exponga la herramientas eléctricas a la lluvia o a condiciones de humedad. El agua que entra en una herramienta eléctrica aumenta el riesgo de descarga eléctrica.
- No abuse del cable. Nunca use el cable para transportar la herramienta eléctrica, tirar de ella o desenchufarla. Mantenga el cable alejado del calor, los

bordes afilados o las piezas en movimiento. Los cables dañados o enmarañados aumentan el riesgo de descarga eléctrica.

- Cuando se utiliza una herramienta eléctrica en el exterior, use una extensión que sea apropiada para uso en el exterior. El uso de un cable apropiado para el exterior reduce el riesgo de descarga eléctrica.

SEGURIDAD PERSONAL

- Si debe operar una herramienta eléctrica en un lugar húmedo, utilice un suministro protegido por un dispositivo de corriente residual (RCD). Usar un RCD reduce el riesgo de que se produzcan descargas eléctricas.
- Manténgase alerta, ponga cuidado a lo que está haciendo y use el sentido común cuando utilice una herramienta eléctrica. No use una herramienta eléctrica cuando está cansado o bajo la influencia de drogas, alcohol o medicinas. Despijarse un minuto cuando se utiliza una herramienta eléctrica puede tener como resultado lesiones personales graves.
- Use un equipo de protección personal. Lleve siempre protección ocular. Llevar un equipo de protección apropiado para la situación, como una máscara antipolvo, zapatos de seguridad antideslizantes, un casco o protección auditiva, reducirá las lesiones personales.
- Evite el encendido accidental. Asegúrese de que el interruptor esté en la posición de apagado antes de conectarlo a la toma de alimentación o a la batería, al levantar o mover la herramienta. Mover herramientas con el dedo en el interruptor o enchufarlas con el interruptor en la posición de encendido contribuye a que se produzcan accidentes.

- Quite todas las llaves de ajuste antes de encender la herramienta. Una llave que esté acoplada a una pieza giratoria de la herramienta puede provocar lesiones personales.
- No se estire demasiado. Mantenga los pies bien asentados y el equilibrio en todo momento. Esto permite tener mejor control de la herramienta eléctrica en situaciones inesperadas.
- Vístase de manera apropiada. No lleve ropa suelta ni joyas. Mantenga el cabello, la ropa y los guantes lejos de la piezas en movimiento. La ropa floja, las joyas o el cabello largo pueden quedar atrapados en las piezas en movimiento.
- Si se proporcionan dispositivos para la conexión de sistemas de recolección y extracción de polvo, asegúrese de que estén conectados y se usen apropiadamente. El uso de estos dispositivos puede reducir los peligros relacionados con el polvo.

USO Y CUIDADO DE LAS HERRAMIENTAS ELÉCTRICAS

- No fuerce la herramienta eléctrica. Use la herramienta eléctrica correcta para la aplicación. La herramienta eléctrica correcta funcionará mejor y de manera más segura a la velocidad para la que se diseñó.
- No use la herramienta eléctrica si el interruptor no la enciende ni la apaga. Cualquier herramienta eléctrica que no se pueda controlar con el interruptor es peligrosa y se debe reparar.
- Desconecte el enchufe de la toma de alimentación y/o la batería de la herramienta eléctrica antes de realizar cualquier ajuste, cambiar accesorios o almacenar las herramientas eléctricas. Dichas medidas preventivas de seguridad reducen el riesgo de que la herramienta se prenda accidentalmente.
- Almacene las herramientas eléctricas fuera del alcance de los niños y no permita que personas no familiarizadas con ellas o estas instrucciones las utilicen. Las herramientas eléctricas son peligrosas en las manos de usuarios no capacitados.
- Mantenimiento de las herramientas eléctricas. Revise que no haya piezas móviles que estén desalineadas o que se atasquen, piezas rotas ni ninguna otra condición que pueda afectar el funciona-

miento de la herramienta eléctrica. Si se encuentran daños, haga que le reparen la herramienta antes de usarla. Las herramientas mal mantenidas son la causa de muchos accidentes.

- Mantenga las herramientas de corte limpias y afiladas. Es menos probable que se atasquen las herramientas de corte con filos afilados que se mantienen de manera apropiada y también son más fáciles de controlar.
- Use la herramienta eléctrica, los accesorios, las brocas, etc. siguiendo estas instrucciones, teniendo en cuenta las condiciones de trabajo y la tarea que se va a realizar. El uso de la herramienta eléctrica para operaciones diferentes de aquellas para las que se diseñó podría originar una situación peligrosa.

USO Y CUIDADO DE LAS HERRAMIENTAS CON BATERÍA

- Recárguela solamente con el cargador especificado por el fabricante. Un cargador que sea apropiado para un tipo de batería puede crear riesgo de incendio cuando se use con otra batería.
- Use las herramientas eléctricas solamente con baterías específicamente diseñadas. El uso de cualquier otro tipo de batería puede crear riesgo de lesiones o incendio.
- Cuando no se use la batería manténgala alejada de otros objetos de metal como clips para papel, monedas, llaves, clavos, tornillos u otros objetos de metal pequeños que puedan realizar una conexión entre los bornes. Realizar un cortocircuito en los terminales de la batería puede provocar quemaduras o un incendio.
- Bajo condiciones abusivas, puede salir líquido expulsado de la batería; evitar el contacto. Si se produce un contacto accidental, lavar con agua. Si el líquido entra en contacto con los ojos buscar ayuda médica adicional. El líquido que sale despedido de la batería puede causar irritaciones o quemaduras.

MANTENIMIENTO

- Haga que un técnico calificado realice el mantenimiento de la herramienta eléctrica utilizando solamente piezas de repuesto idénticas. Esto asegurará que se mantiene la seguridad de la herramienta eléctrica.

REGLAS DE SEGURIDAD ESPECÍFICAS

PELIGRO:

- **Mantenga las manos alejadas del área de corte y la cuchilla. Mantenga la otra mano en el mango auxiliar o en el alojamiento del motor.** Si ambas manos están sujetando la sierra, la cuchilla no puede cortarlas.
- **No meta la mano debajo de la pieza en la que se está trabajando.** La guarda no lo puede proteger de la cuchilla debajo de la pieza en la que se está trabajando.
- **Ajuste la profundidad de corte al grosor de la pieza en la que se está trabajando.** Por debajo de la pieza en la que se está trabajando se debe ver menos de un diente completo de la cuchilla.
- **NUNCA sujete la pieza que se está cortando con las manos o sobre las piernas. Asegure la pieza a una plataforma estable.** Es importante apoyar la pieza de manera apropiada para reducir al mínimo la exposición del cuerpo, el agarrotamiento de la cuchilla o la pérdida de control.
- **Agarre la herramienta eléctrica por los asideros aislados cuando realice una operación en la que la herramienta de corte pueda entrar en contacto con cables ocultos o con su propio cable.** El contacto con un cable "con corriente" hará que las partes de metal expuestas de la herramienta pasen la corriente y produzcan una descarga al operador.
- **Cuando se esté serrando al hilo, use siempre una guía de cortar al hilo o una regla.** Esto mejora la precisión del corte y reduce la posibilidad de que la cuchilla se atasque.
- **Use siempre cuchillas con el tamaño y la forma correctos (diamante versus redonda) de los agujeros para el eje.** Las cuchillas que no coinciden con la tornillería de montaje de la sierra se moverán excéntricamente, provocando la pérdida de control.
- **Nunca use arandelas o pernos dañados o incorrectos.** Las arandelas y pernos de la cuchilla fueron especialmente diseñados para su sierra, para un rendimiento óptimo y una utilización segura.

Causas y prevención por parte del operario del REBOTE:

El REBOTE es una reacción repentina a una cuchilla atascada o mal alineada que hace que una sierra sin controlar se levante y se salga de la pieza en la que se está trabajando hacia el operador.

Cuando la cuchilla está atrapada o atascada porque la entalladura se cierra, la cuchilla se para y la reacción del motor impulsa la unidad rápidamente hacia el operador.

Si la cuchilla se dobla o pierde la alineación en el corte, los dientes en el borde trasero de la cuchilla pueden hundirse en la superficie superior de la madera haciendo que la cuchilla se salga de la entalladura y salte hacia atrás, hacia el operador.

El REBOTE es el resultado de un uso indebido de la sierra o de procedimientos o condiciones de utilización incorrectos, y se puede evitar tomando las precauciones apropiadas que se presentan a continuación:



- **Agarre la sierra firmemente con ambas manos y coloque los brazos de manera que resistan las fuerzas de rebote.** Coloque el cuerpo a cualquiera de los lados de la cuchilla, pero no alineado con ésta. El rebote podría hacer que la sierra salte hacia atrás, pero las fuerzas de rebote pueden ser controladas por el operador si se toman las precauciones apropiadas.
- **Cuando la cuchilla se está atascando, o cuando se interrumpe el corte por cualquier motivo, suelte el gatillo y mantenga la sierra inmóvil en el material hasta que la sierra se pare por completo. Nunca intente sacar la sierra de la pieza en la que se está trabajando ni tire de ella hacia atrás mientras está en movimiento ya que esto puede provocar el rebote.** Investigue y tome las acciones correctivas pertinentes para eliminar la causa del atascamiento de la cuchilla.
- **Cuando se vuelva a introducir la sierra en la pieza en la que se está trabajando, centre la cuchilla en la entalladura y revise que los dientes de la sierra no estén en contacto con el material.** Si la cuchilla de la sierra se atasca, puede moverse hacia atrás o rebotar cuando se vuelve a arrancar la sierra.
- **Apoye los paneles grandes para minimizar el riesgo de que la cuchilla se atore y rebote.** Los paneles grandes tienden a pandearse bajo su propio peso. Se deben colocar soportes debajo del panel a ambos lados, cerca de la línea de corte y cerca del borde del panel.
- **No usar una cuchilla desafilada o dañada.** Las cuchillas sin afilar o mal colocadas producen una entalladura estrecha que provoca una fricción excesiva, atascamiento de la cuchilla y rebote.

- **Las palancas de bloqueo del ajuste de la profundidad y el bisel de la cuchilla deben estar apretadas y aseguradas antes de realizar el corte.** Si el ajuste de la cuchilla cambia mientras se realiza el corte, esto puede provocar que la cuchilla se atasque y rebote.
- **Sea extremadamente precavido cuando realice un "corte por penetración" en paredes u otras áreas ciegas.** La cuchilla que sobresale puede cortar objetos que pueden provocar el rebote.
- **Verifique que la guarda inferior esté bien cerrada antes de cada uso. No utilice la sierra si la guarda inferior no se mueve libremente y no se cierra inmediatamente. Nunca amarre o sujete la guarda inferior en la posición abierta.** Si se le cae la sierra accidentalmente, es posible que la guarda inferior se doble. Suba la guarda inferior con su palanca correspondiente y asegúrese de que se mueve libremente y de que no toca la cuchilla ni ninguna otra pieza en todos los ángulos y profundidades de corte.
- **Revise el funcionamiento del resorte de la guarda inferior. Si la guarda y el resorte no están funcionando correctamente, se deben reparar antes del uso.** La guarda inferior puede funcionar lentamente debido a piezas dañadas, depósitos gomosos o acumulación de residuos.
- **El protector inferior debe retraerse manualmente solamente para cortes especiales como "cortes por penetración" y "cortes compuestos". Suba la guarda inferior usando la palanca correspondiente y, tan pronto como la cuchilla entra en el material, se debe soltar la guarda inferior.** Para todas las demás tareas de serrado la guarda inferior debe funcionar automáticamente.

- **Observe siempre que la guarda inferior esté cubriendo la cuchilla antes de colocar la sierra sobre el banco o el suelo.** Una cuchilla funcionando por inercia y sin proteger hará que la sierra avance hacia atrás, cortando lo que sea que se encuentre en su camino. Esté atento al tiempo que tarda la cuchilla en parar después de soltar el interruptor.
- **Mantenga las etiquetas y las placas identificativas.** Tienen información importante. Si no se pueden leer o si faltan, póngase en contacto con un centro de servicio MILWAUKEE para obtener un repuesto gratuito.
- **ADVERTENCIA** Ciertos polvos creados al lijar, serrar, esmerilar, perforar y realizar otras actividades de construcción contienen productos químicos que se sabe que causan cáncer, defectos congénitos u otros daños al aparato reproductor. Algunos ejemplos de dichos productos químicos son:
 - plomo de pintura con base de plomo
 - sílice cristalino de los ladrillos y cemento y de otros productos de mampostería, y
 - arsénico y cromo de madera tratada químicamente.

Su riesgo de exposición varía dependiendo de la frecuencia con la que realice este tipo de trabajo. Para reducir su exposición a estos productos químicos: trabaje en un área bien ventilada, y trabaje con equipo de seguridad aprobado, como máscaras antipolvo especialmente diseñadas para filtrar partículas microscópicas.

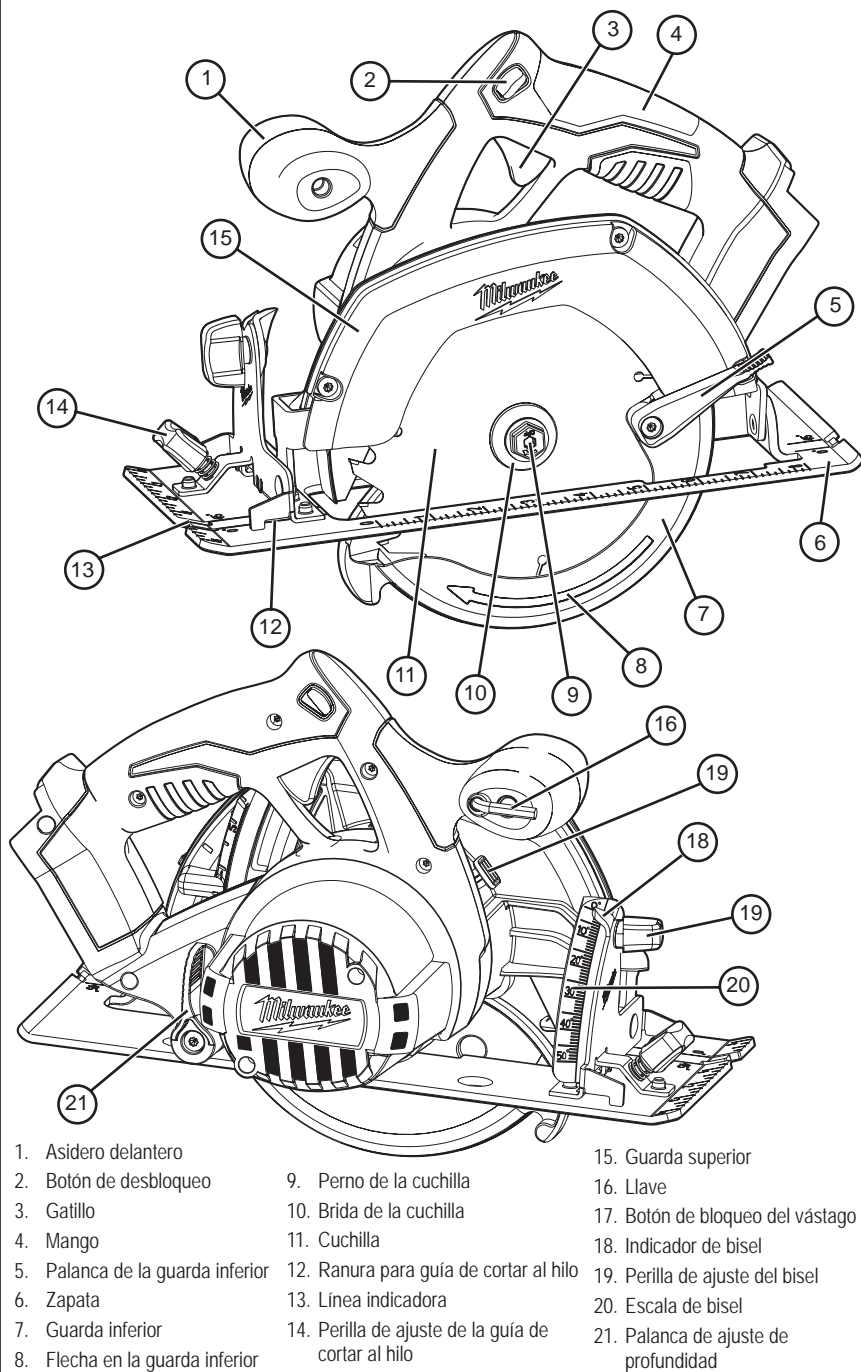
Simbología

	Volts corriente directa
	Underwriters Laboratories, Inc., Estados Unidos y Canadá
n_0 XXXXmin. ⁻¹	Revoluciones por minuto sin carga (RPM)

Especificaciones

Cat. No.	Volts cd	RPM	Tamaño de la segueta	Eje	Profundidad de corte a 90°	Profundidad de corte a 45°
2630-20	28	3 200	165 mm (6-1/2")	5/8"	0 à 54 mm (0 à 2-1/8")	0 à 40 mm (0 à 1-9/16")

DESCRIPCION FUNCIONAL



ENSAMBLAJE DE LA HERRAMIENTA

⚠ ADVERTENCIA Recargue la batería sólo con el cargador especificado para ella. Para instrucciones específicas sobre cómo cargar, lea el manual del operador suministrado con su cargador y la batería. Esta herramienta es incompatible con la tecnología V™ y los sistemas de NiCd.

Cómo insertar la batería en la herramienta

Coloque la batería desde el frente, oprimiendo los botones de liberación y deslizando la batería en el cuerpo de la herramienta. Coloque la batería hasta que la grapa se accione. Para extraer la batería, oprima ambos seguros de la batería y deslícela fuera de la herramienta.

⚠ ADVERTENCIA Para reducir el riesgo de lesiones, extraiga siempre la batería o bloquee el gatillo antes de acoplar o desacoplar accesorios. Utilice únicamente accesorios específicamente recomendados para esta herramienta. El uso de accesorios no recomendados podría resultar peligroso.

Selección de la cuchilla

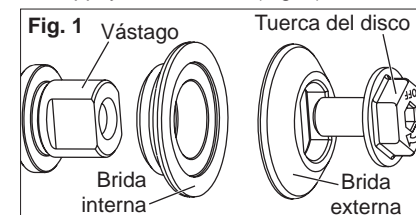
Use siempre cuchillas afiladas. Las cuchillas desafiladas tienden a sobrecargar la herramienta y aumentan la posibilidad de REBOTE (consulte "Causas y prevención por parte del operario del REBOTE"). Use solamente cuchillas de corte con una velocidad de funcionamiento seguro máxima superior a las rpm sin carga que aparecen en la placa identificativa de la herramienta. Lea las instrucciones del fabricante de la cuchilla antes de usarla. No use ningún tipo de rueda de corte abrasivo ni cuchillas de diamante para corte en seco.

Instalación y extracción de las cuchillas

1. QUITE LA BATERÍA ANTES DE INSTALAR O QUITAR LAS CUCHILLAS.
2. Coloque la sierra en una superficie plana con la cuchilla apuntando hacia arriba. Para quitar el perno del vástago, presione su botón de bloqueo. Mientras se mantiene el botón de bloqueo presionado, use la llave que se suministra con la herramienta para girar el hilo en sentido horario. Quite el perno y la brida de la cuchilla.

3. Deslice la palanca de la guarda inferior hacia arriba para subir la guarda inferior. Extraiga la cuchilla del vástago. Limpie siempre el vástago, la guarda superior y la inferior para quitar la suciedad y el aserrín.

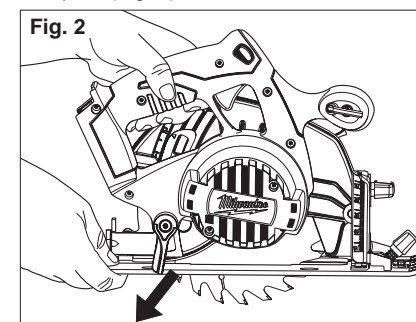
NOTA: No retire la brida interna. Le plus grand diamètre de la brida interna doit appuyer sur la lame (Fig. 1).



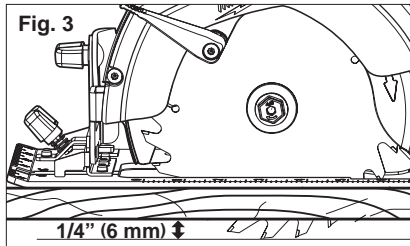
4. Para instalar una cuchilla, colóquela en el vástago con los dientes apuntando en la misma dirección que la flecha en la guarda inferior. Suelte la palanca de la guarda inferior.
5. Coloque la brida de la cuchilla en el vástago y apriete el perno con la mano.
6. Mientras mantiene presionado el botón de bloqueo del vástago, use la llave para girar el perno en sentido antihorario y apretarlo.

Ajuste de la profundidad

1. Extraiga la batería
2. Para ajustar la profundidad del corte, sujete la sierra por el asidero y afloje la palanca de ajuste de la profundidad empujándola hacia abajo, hacia la zapata (Fig. 2).



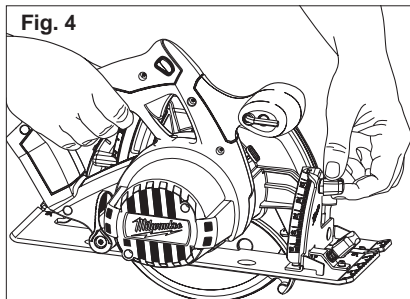
- Suba o baje la zapata a la posición deseada. En el lado interior de la guarda superior hay marcas en incrementos de 6 mm (1/4"). para el ajuste de profundidad. Para el ajuste de profundidad correcto, la cuchilla no debe extenderse más de 3 a 6 mm (1/8" a 1/4") por debajo del material que se está cortando (Fig. 3).



- Suba la palanca de ajuste de profundidad hacia el alojamiento del motor para asegurar la posición de la zapata.

Ajuste del ángulo del bisel

- Extraiga la batería
- Para ajustar el ángulo de corte, sujete la sierra por su asidero y afloje la perilla de ajuste del bisel (Fig. 4).

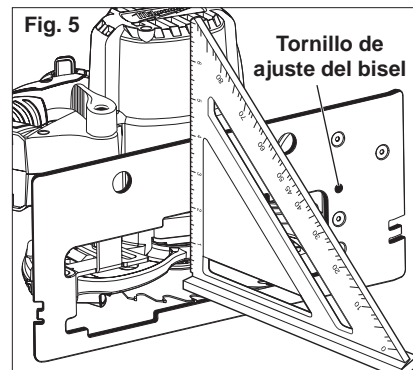


- Sujete la parte delantera de la zapata y gire la sierra por el asidero hasta alcanzar el ángulo deseado, tal y como lo indican las marcas en la escala del bisel.
- Apriete la perilla de ajuste del bisel de manera segura.

Ajuste de la cuchilla a la zapata

La zapata se ha ajustado en la fábrica a un ángulo de 90 grados. Inspeccione la sierra regularmente para asegurarse de que la cuchilla esté a 90 grados con respecto a la zapata.

- Extraiga la batería
- Coloque el indicador del bisel en cero.
- Para asegurarse de que la cuchilla está en un ángulo de 90 grados con respecto a la zapata, coloque la sierra al costado de la cuchilla y retraiga la guarda inferior. Coloque una escuadra contra la cuchilla y la zapata para inspeccionar el ajuste de los grados (Fig. 5).



- Para fijar el ajuste de los grados, afloje la perilla de ajuste del bisel. Gire el tornillo de ajuste del bisel hacia dentro o hacia fuera hasta que la cuchilla forme un ángulo de 90 grados con la zapata.
- Apriete la perilla de ajuste del bisel de manera segura.

OPERACION

⚠ ADVERTENCIA Para reducir el riesgo de lesiones, mantenga ambas manos alejadas de la següeta y de otras piezas móviles. Lleve siempre lentes de seguridad con protectores laterales. Use solamente accesorios recomendados específicamente. El uso de otros puede resultar peligroso.

Causas y prevención por parte del operario del REBOTE:

El REBOTE es una reacción repentina a una cuchilla atascada o mal alineada que hace que una sierra sin controlar se levante y se salga de la pieza en la que se está trabajando hacia el operador.

Cuando la cuchilla está atrapada o atascada porque la entalladura se cierra, la cuchilla se para y la reacción del motor impulsa la unidad rápidamente hacia el operador.

Si la cuchilla se dobla o pierde la alineación en el corte, los dientes en el borde trasero de la cuchilla pueden hundirse en la superficie superior de la madera haciendo que la cuchilla se salga de la entalladura y salte hacia atrás, hacia el operador.

El REBOTE es el resultado de un uso indebido de la sierra o de procedimientos o condiciones de utilización incorrectos, y se puede evitar tomando las precauciones apropiadas que se presentan a continuación:

- **Agarre la sierra firmemente con ambas manos y coloque los brazos de manera que resistan las fuerzas de rebote.** Coloque el cuerpo a cualquiera de los lados de la cuchilla, pero no alineado con ésta. El rebote podría hacer que la sierra salte hacia atrás, pero las fuerzas de rebote pueden ser controladas por el operador si se toman las precauciones apropiadas.
- **Cuando la cuchilla se está atascando, o cuando se interrumpe el corte por cualquier motivo, suelte el gatillo y mantenga la sierra inmóvil en el material hasta que la sierra se pare por completo. Nunca intente sacar la sierra de la pieza en la que se está trabajando ni tire de ella hacia detrás mientras está en movimiento ya que esto puede provocar el rebote.** Investigue y tome las acciones correctivas pertinentes para eliminar la causa del atascamiento de la cuchilla.
- **Cuando se vuelva a introducir la sierra en la pieza en la que se está trabajando, centre la cuchilla en la entalladura y**

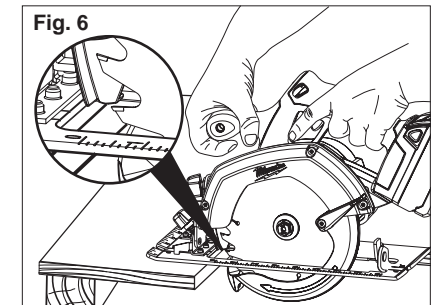
revise que los dientes de la sierra no estén en contacto con el material. Si la cuchilla de la sierra se atasca, puede moverse hacia atrás o rebotar cuando se vuelve a arrancar la sierra.

- **Apoye los paneles grandes para minimizar el riesgo de que la cuchilla se atore y rebote.** Los paneles grandes tienden a pandearse bajo su propio peso. Se deben colocar soportes debajo del panel a ambos lados, cerca de la línea de corte y cerca del borde del panel.
- **No usar una cuchilla desafilada o dañada.** Las cuchillas sin afilar o mal colocadas producen una entalladura estrecha que provoca una fricción excesiva, atascamiento de la cuchilla y rebote.
- **Las palancas de bloqueo del ajuste de la profundidad y el bisel de la cuchilla deben estar apretadas y aseguradas antes de realizar el corte.** Si el ajuste de la cuchilla cambia mientras se realiza el corte, esto puede provocar que la cuchilla se atasque y rebote.
- **Sea extremadamente precavido cuando realice un "corte por penetración" en paredes u otras áreas ciegas.** La cuchilla que sobresale puede cortar objetos que pueden provocar el rebote.

Funcionamiento general

Sujete siempre la pieza en la que se está trabajando de manera segura en un caballete o banco de aserrar. Consultar "APLICACIONES" para averiguar la manera correcta de colocar la pieza en la que se está trabajando en diferentes situaciones.

- Trace una línea de corte. Coloque la parte delantera de la zapata en el borde de la pieza sin que la cuchilla la toque. Sujete el asidero con una mano y el asidero delantero con la otra.



2. Alinee la línea indicadora con la línea de corte. Coloque los brazos y el cuerpo de manera que pueda resistir el REBOTE.
3. Para arrancar la sierra, presione el botón de desbloqueo al mismo tiempo que presiona el gatillo. Deje que el motor alcance la velocidad máxima antes de empezar a cortar.
4. Mientras corta, mantenga la zapata plana contra la pieza en la que se está trabajando y la sierra bien agarrada. No fuerce la sierra contra la pieza en la que se está trabajando. Esto puede hacer que la sierra REBOTE.
5. Si se está realizando un corte parcial, reiniciando un corte que se dejó a medias o corrigiendo la dirección, deje que la cuchilla se pare por completo. Para reiniciar el corte, centre la cuchilla en la entalladura, retroceda la sierra unas cuantas pulgadas del borde de corte, presione el botón de desbloqueo mientras aprieta el gatillo y vuelva a penetrar lentamente en el corte.
6. Si la sierra se atasca o se para, manténgala bien agarrada y suelte el gatillo inmediatamente. Sujete la sierra sin que se mueva en la pieza hasta que la cuchilla se detenga por completo.
7. Después de terminar el corte, asegúrese de que se cierra la guarda inferior y la cuchilla se detiene por completo antes de soltar la sierra.

Freno eléctrico

El freno eléctrico se activa cuando se suelta el gatillo, haciendo que la següeta se pare y permitiéndole continuar con la tarea. Generalmente, la següeta se para en dos segundos. Sin embargo, puede que haya un retraso entre el momento que suelta el gatillo y cuando se activa el freno. Ocasionalmente el freno puede que se salte completamente. Si el freno se salta con frecuencia, la següeta necesita servicio de un centro de mantenimiento autorizado **MILWAUKEE**. El freno no es un sustituto de la guarda, y siempre debe esperar hasta que la cuchilla se detenga completamente antes de sacar la sierra de la pieza.

Resolución de problemas

Si la cuchilla no sigue una línea recta:

- Los dientes están desafilados. Esto se produce al golpear un objeto duro como un clavo o una piedra, desafilando los dientes de un lado. La cuchilla tiende a cortar hacia el lado con los dientes más afilados.
- La zapata está desalineada o doblada
- La cuchilla está doblada
- No se está usando una guía para cortar al hilo o una guía

Si la cuchilla se atasca, echa humo o se pone azul por la fricción:

- La cuchilla está desafilada
- La cuchilla está al revés
- La cuchilla está doblada
- La cuchilla está sucia
- La pieza en la que se está trabajando no está bien sujeta
- Se está usando la cuchilla incorrecta

APLICACIONES

Corte de paneles grandes

Los paneles grandes y las tablas largas se pandean o doblan si no se apoyan correctamente. Si se intenta cortar sin nivelar y apoyar correctamente la pieza, la cuchilla tenderá a atascarse, provocando REBOTE.

Apoye los paneles grandes. Asegúrese de fijar la profundidad de corte de modo que solamente corte a través de la pieza, no a través de los soportes.

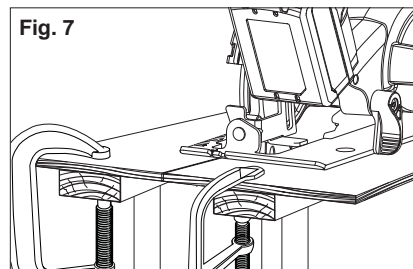


Fig. 7

Corte de madera al hilo

Cortar al hilo es cortar en la dirección de la veta de la madera. Seleccione la cuchilla apropiada para su tarea. Use una guía para corte al hilo para cortes de 100 mm (4 pulg.) de ancho o menos. Para instalar la guía para corte al hilo, deslice la barra a través de la guía para corte al hilo en cualquier lado de la zapata. El ancho del corte es la distancia desde el interior de la cuchilla hasta el borde interior de la guía de corte al hilo. Ajuste la guía para corte al hilo para el ancho deseado y bloquee el ajuste apretando la perilla de ajuste de la guía para corte al hilo.

Cuando el ancho de corte al hilo es mayor de 100 mm (4 pulg.), sujete con una abrazadera o clave un pedazo de madera de 25 mm (1 pulg.) a la pieza y use el borde interior de la zapata como guía.

Corte de madera a contrahilo

El corte a contrahilo es un corte perpendicular a la veta de la madera. Seleccione la cuchilla apropiada para su tarea. Avance la sierra lentamente para evitar que la madera se astille.

⚠ ADVERTENCIA Para reducir el riesgo de descarga eléctrica, revise el área de trabajo en busca de tuberías o cables ocultos antes de realizar cortes por penetración.

Corte por penetración

Los cortes por penetración se realizan en medio de la pieza en la que se está trabajando cuando no se puede cortar desde un borde. Recomendamos el uso de una sierra alternativa o una sierra perforadora Sawzall® para este tipo de corte. Sin embargo, si tiene que usar una sierra circular para realizar un corte por penetración, TENGA MUCHO CUIDADO. Para mantener el control de la sierra durante el corte por perforación, mantenga ambas manos en la sierra.

1. Comenzando en una esquina, alinee la línea indicadora con la de corte. Inclíne la sierra hacia delante, fijando firmemente la parte delantera de la zapata en la pieza en la que se está trabajando (Fig. 8). La cuchilla debe quedar justo sobre la línea de corte, pero sin tocarla. Suba la guarda inferior usando la palanca de la guarda inferior.

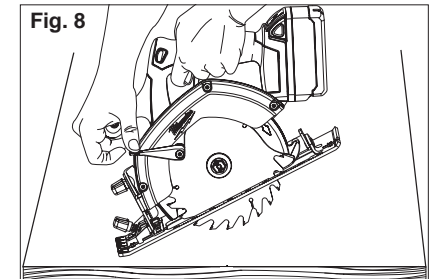


Fig. 8

2. Para arrancar la sierra, presione el botón de desbloqueo al mismo tiempo que se presiona el gatillo. Deje que el motor alcance la velocidad máxima antes de empezar a cortar. Usando la parte delantera de la zapata como punto de apoyo, baje gradualmente la parte posterior de la sierra a la pieza en la que se está trabajando. Suelte la palanca de la guarda inferior y agarre el asidero delantero.
3. Cuando la zapata descansa contra la pieza, avance la sierra hacia la esquina más alejada (Fig. 9). Suelte el gatillo y deje que la cuchilla se detenga por completo antes de sacarla de la pieza. Repetir los pasos anteriores para cada lado de la abertura. Use una sierra alternativa, una sierra de perforación o una sierra de mano pequeña Sawzall® para rematar las esquinas si no se han cortado completamente.

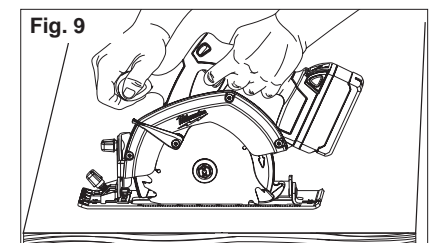


Fig. 9

MANTENIMIENTO

⚠ ADVERTENCIA Para reducir el riesgo de una lesión, desconecte siempre la herramienta antes de darle cualquier mantenimiento. Nunca desarme la herramienta ni trate de hacer modificaciones en el sistema eléctrico de la misma. Acuda siempre a un Centro de Servicio *MILWAUKEE* para TODAS las reparaciones.

Mantenimiento de la herramienta

Adopte un programa regular de mantenimiento y mantenga sus baterías y cargador en buenas condiciones. Después de 6 meses a un año, dependiendo del uso dado, envíe su herramienta, batería y cargador, al Centro de Servicio *MILWAUKEE* más cercano para que le hagan:

- Lubricación
- Inspección mecánica y limpieza (engranes, flechas, baleros, carcaza, etc.)
- Inspección eléctrica (batería, cargador, motor)
- Probarla para asegurar una adecuada operación mecánica y eléctrica

Si la herramienta no arranca u opera a toda su potencia con una batería completamente cargada, limpie, con una goma o borrador, los contactos de la batería y de la herramienta. Si aun así la herramienta no trabaja correctamente, regrésela, con el cargador y la batería, a un centro de servicio *MILWAUKEE* para que sea reparada.

⚠ ADVERTENCIA Para reducir el riesgo de una explosión, no quemé nunca una batería, aun si está dañada, "muerta" o completamente descargada.

Limpieza

Limpie el polvo y suciedad de las ventilas del cargador y la herramienta. Mantenga los mangos y empuñaduras limpios, secos y libres de aceite o grasa. Use solo jabón neutro y un trapo húmedo para limpiar la herramienta, batería y el cargador, ya que algunos substancias y solventes limpiadores son dañinos a los plásticos y partes aislantes. Algunos de estos incluyen: gasolina, turpentina, thinner, lacas, thinner para pinturas, solventes para limpieza con cloro, amoníaco y detergentes caseros que tengan amonía. Nunca usa solventes inflamables o combustibles cerca de una herramienta.

Reparaciones

Si su herramienta, batería o cargador están dañados, envíela al centro de servicio más cercano de los listados en la cubierta posterior de este manual del operario.

ACCESORIOS

⚠ ADVERTENCIA Para reducir el riesgo de lesiones, siempre extraiga la batería antes de cambiar o retirar accesorios. Utilice únicamente accesorios específicamente recomendados para esta herramienta. El uso de accesorios no recomendados podría resultar peligroso.

Para una lista completa de accesorios, refiérase a su catálogo *MILWAUKEE* Electric Tool o visite nuestro sitio en Internet: www.milwaukeetool.com. Para obtener un catálogo, contacte su distribuidor local o uno de los centros de servicio listados en la página de cubierta de este manual.

GARANTÍA LIMITADA DE CINCO AÑOS

Cada herramienta eléctrica *MILWAUKEE* (incluyendo el cargador de batería) está garantizada sólo al comprador original de estar libre de defectos en el material y la mano de obra. Sujeto a ciertas excepciones, *MILWAUKEE* reparará o reemplazará por un período de cinco (5) años* después de la fecha de compra cualquier pieza en una herramienta eléctrica que, después de haber sido examinada, *MILWAUKEE* determine que está defectuosa en el material o la mano de obra. Regrese la herramienta eléctrica y una copia de la prueba de compra a un concesionario de soporte de ventas/servicio de fábrica *MILWAUKEE* o a una estación de servicio autorizada *MILWAUKEE*. Para que esta garantía sea efectiva, se requiere el flete pagado por anticipado y el seguro. Esta garantía no aplica a los daños que *MILWAUKEE* determine sean ocasionados por reparaciones o intentos de reparación por cualquier otro que personal autorizado por *MILWAUKEE*, uso indebido, alteraciones, abuso, desgaste y deterioro normal, falta de mantenimiento o accidentes.

* El plazo de garantía para los montacargas (de palanca, de cadena manual y de cadena eléctrica), de todas las baterías de Ni-Cd, de las linternas de trabajo (inalámbricas), de los radios para el lugar de trabajo, y de los carros Trade Titan™ para trabajo industrial es de un (1) año a partir de la fecha de compra. *El plazo de garantía para las baterías de iones de litio que no incluyan tecnología V™ (desde 4,0 voltios hasta 18,0 voltios) es de dos (2) años a partir de la fecha de compra.

*Existe una garantía por separado para las baterías de iones de litio con tecnología V™ (de 18 voltios o más) que viene incluida con las herramientas eléctricas que poseen tecnología V™:

*Cada batería de iones de litio de tecnología V™ de *MILWAUKEE* de 18 voltios o superior, está cubierta con una garantía de reemplazo gratuito por las primeras 1000 cargas/2 años. Esto significa que por lo que suceda primero, las primeras 1000 cargas o dos (2) años de la fecha de compra/primeras carga, se proporcionará sin cargo al cliente, una batería de reemplazo por cualquier batería defectuosa. A partir de entonces, los clientes recibirán una garantía adicional en una base proporcional que puede ser hasta de las primeras 2000 cargas o cinco (5) años de la fecha de compra/primeras carga, lo que suceda primero. Esto significa que cada cliente obtiene una garantía proporcional de 1000 cargas o tres (3) años adicionales en la batería de iones de litio de tecnología V™ de 18 voltios o superior, dependiendo de la cantidad de uso. Durante este período adicional de garantía, el cliente paga por sólo el servicio utilizable recibido durante y superior a las primeras 1000 cargas/2 años, de acuerdo a la fecha de la primera carga y al número de cargas encontradas en la batería a través del lector de servicio de tecnología V™ de *MILWAUKEE*.

El registro de la garantía no es necesario para obtener la garantía aplicable en un producto *MILWAUKEE*. Si no se presenta ningún comprobante de compra cuando se solicita el servicio de garantía, se tendrá en cuenta la fecha de fabricación del producto para establecer el período de garantía.

LA ACEPTACIÓN DE LOS REMEDIOS EXCLUSIVOS DE REPARACIÓN Y REEMPLAZO AQUÍ DESCRITOS ES UNA CONDICIÓN DEL CONTRATO EN LA COMPRA DE CADA PRODUCTO *MILWAUKEE*. SI NO ESTÁ DE ACUERDO CON ESTA CONDICIÓN, NO DEBERÍA COMPRAR ESTE PRODUCTO. EN NINGÚN CASO *MILWAUKEE* SERÁ RESPONSABLE POR CUALESQUIER DAÑO PUNITIVO, CONSECUENTE, ESPECIAL, INCIDENTAL O POR CUALESQUIER COSTO, HONORARIOS DE ABOGADO, GASTOS, PÉRDIDAS O RETRASOS QUE SE ARGUMENTE QUE SEAN UNA CONSECUENCIA DE CUALQUIER DAÑO A, FALLA DE, O DEFECTO EN CUALQUIER PRODUCTO, INCLUYENDO, PERO SIN LIMITARSE A, CUALQUIER RECLAMO POR PÉRDIDAS DE GANANCIAS. ESTA GARANTÍA ES EXCLUSIVA Y REEMPLAZA TODAS LAS DEMÁS GARANTÍAS O CONDICIONES, ORALES O ESCRITAS, EXPRESAS O IMPLÍCITAS. SIN LIMITAR LA GENERALIDAD DE LO ANTERIOR, *MILWAUKEE* RENUNCIA A TODA GARANTÍA IMPLÍCITA DE COMERCIABILIDAD O APTITUD PARA UN FIN O USO ESPECÍFICO Y DEMÁS GARANTÍAS.

Esta garantía es válida solamente en el producto vendido en los Estados Unidos, México y Canadá.

UNITED STATES - MILWAUKEE Service

MILWAUKEE prides itself in producing a premium quality product that is NOTHING BUT HEAVY DUTY®. Your satisfaction with our products is very important to us! If you encounter any problems with the operation of this tool, or you would like to locate the *factory Service/Sales Support Branch* or *authorized service station* nearest you, please call...

1-800-SAWDUST

(1.800.729.3878)

Monday-Friday

7:00 AM - 6:30 PM

Central Time

or visit our website at

www.milwaukeetool.com

For service information, use the 'Service Center Search' icon found in the 'Parts & Service' section.

Additionally, we have a nationwide network of *authorized* Distributors ready to assist you with your tool and accessory needs. Check your "Yellow Pages" phone directory under "Tools-Electric" for the names & addresses of those nearest you or see the 'Where To Buy' section of our website.

Contact our Corporate After Sales Service Technical Support about ...

- Technical Questions
- Service/Repair Questions
- Warranty

call: 1-800-SAWDUST

fax: 1.800.638.9582

email: metproductsupport@milwaukeetool.com

Register your tool online at www.milwaukeetool.com and...

- receive important notifications regarding your purchase
- ensure that your tool is protected under the warranty
- become a HEAVY DUTY member

Canada - Service MILWAUKEE

MILWAUKEE est fier de proposer un produit de première qualité NOTHING BUT HEAVY DUTY®.

Votre satisfaction est ce qui compte le plus!

En cas de problèmes d'utilisation de l'outil ou pour localiser le centre de service/ventes ou le centre d'entretien le plus proche, appelez le...

416.439.4181

fax: 416.439.6210

Milwaukee Electric Tool (Canada) Ltd

755 Progress Avenue

Scarborough, Ontario M1H 2W7

Notre réseau national de distributeurs agréés se tient à votre disposition pour fournir l'aide technique, l'outillage et les accessoires nécessaires. Composez le 416.439.4181 pour obtenir les noms et adresses des revendeurs les plus proches ou bien consultez la section «Où acheter» sur notre site web à l'adresse

www.milwaukeetool.com

MEXICO - Soporte de Servicio MILWAUKEE

Milwaukee Electric Tool, S.A. de C.V.

Blvd. Abraham Lincoln no. 13

Colonia Los Reyes Zona Industrial

Tlalnepanla, Edo. México C.P. 54073

Tel. (55) 5565-1414 Fax: (55) 5565-6874

Adicionalmente, tenemos una red nacional de distribuidores *autorizados* listos para ayudarle con su herramienta y sus accesorios. Por favor, llame al (55) 5565-1414 para obtener los nombres y direcciones de los más cercanos a usted, o consulte la sección 'Where to buy' (Dónde comprar) de nuestro sitio web en

www.milwaukeetool.com

Registre su herramienta en línea, en www.milwaukeetool.com y...

- reciba importantes avisos sobre su compra
- asegúrese de que su herramienta esté protegida por la garantía
- conviértase en integrante de Heavy Duty

MILWAUKEE ELECTRIC TOOL CORPORATION

13135 West Lisbon Road • Brookfield, Wisconsin, U.S.A. 53005