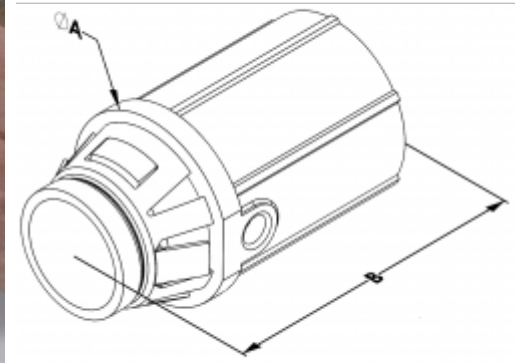


## 1/2" E-Z LOCK® Snap-in Connector

Recommended cable types 10/3 to 8/3 (.61"-.69" Dia.) Steel or Aluminum AC/MC/MCI-A/HCF/HCFMCI-A . Simply snap cables into connector and

Integral internal spring steel locking tabs fasten cable or conduit. Suitable for maintaining grounding continuity when installed in accordance with th

[Download Photo](#)[Download Drawing](#)[Download Drawing](#)

### Product details

<b>Catalog Number:</b>	39ASP
<b>UPC Number:</b>	78174708591
<b>Primary Materials:</b>	Zinc Die Cast
<b>Finish:</b>	Ball Burnished, Mirror Smooth
<b>Trade Size:</b>	1/2"
<b>Unit Quantity:</b>	50
<b>Standard Package Quantity:</b>	200

### Dimensions

<b>Trade Size:</b>	1/2"
<b>Dimensions A:</b>	1.032
<b>Dimensions B:</b>	1.785

### Certifications & Codes

**Federal Specification Number:** A-A-50552

**UL File Number:** cETLus Listed

**UNSPSC:** 39121438

**Nema Standard:** FB1

**UL Standard:** UL-514B