

Cutler-Hammer
PDCD
Pittsburgh, PA
5090 A38 H02

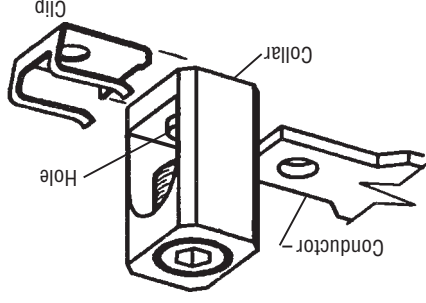
For F-Frame

Cutler-Hammer
Series C
Circuit Breaker
Accessory

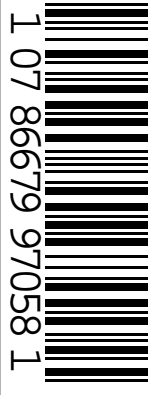


Terminal Kit
Cat. No. 3TA150FB
Style No. 624B100G17
Quantity - 1

AL/CU
Wire Range: 4 - 4/0
Metric Wire Range: 25 - 95 mm²
Torque: 120 lb-in



- Package Of 3 Terminals
- Instructions For Assembly:
 - Insert Collar Around Conductor & Center Conductor Hole Over Collar Hole.
 - Install Clip with Legs on Top of Conductor & Snap Its End Around Bottom of Collar.
 - **CAUTION:** Assemble As Shown. Collar Must Surround Conductor & Clip Legs Must Be On Top Of Conductor.



FILE = 5090A38H02/624B100G17 BGART
DATE = 07-21-98

Cutler-Hammer
PDCD
Pittsburgh, PA
5090 A38 H02

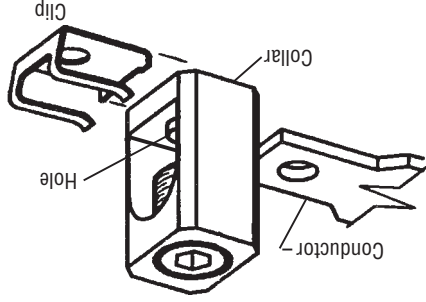
For F-Frame

Cutler-Hammer
Series C
Circuit Breaker
Accessory



Terminal Kit
Cat. No. 3TA150FB
Style No. 624B100G17
Quantity - 1

AL/CU
Wire Range: 4 - 4/0
Metric Wire Range: 25 - 95 mm²
Torque: 120 lb-in



- Package Of 3 Terminals
- Instructions For Assembly:
 - Insert Collar Around Conductor & Center Conductor Hole Over Collar Hole.
 - Install Clip with Legs on Top of Conductor & Snap Its End Around Bottom of Collar.
 - **CAUTION:** Assemble As Shown. Collar Must Surround Conductor & Clip Legs Must Be On Top Of Conductor.



+

Cutler-Hammer
PDCD
Pittsburgh, PA
5090 A38 H02

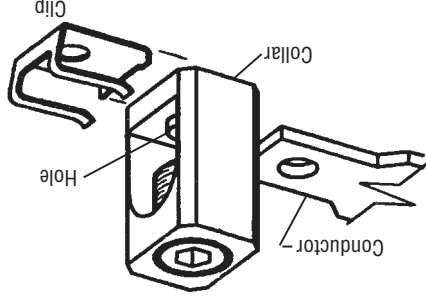
For F-Frame

Cutler-Hammer
Series C
Circuit Breaker
Accessory

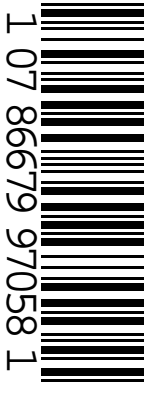


Terminal Kit
Cat. No. 3TA150FB
Style No. 624B100G17
Quantity - 1

AL/CU
Wire Range: 4 - 4/0
Metric Wire Range: 25 - 95 mm²
Torque: 120 lb-in



- Package Of 3 Terminals
- Instructions For Assembly:
 - Insert Collar Around Conductor & Center Conductor Hole Over Collar Hole.
 - Install Clip with Legs on Top of Conductor & Snap Its End Around Bottom of Collar.
 - **CAUTION:** Assemble As Shown. Collar Must Surround Conductor & Clip Legs Must Be On Top Of Conductor.



Cutler-Hammer
PDCD
Pittsburgh, PA
5090 A38 H02

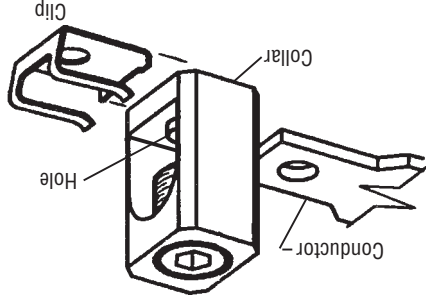
For F-Frame

Cutler-Hammer
Series C
Circuit Breaker
Accessory



Terminal Kit
Cat. No. 3TA150FB
Style No. 624B100G17
Quantity - 1

AL/CU
Wire Range: 4 - 4/0
Metric Wire Range: 25 - 95 mm²
Torque: 120 lb-in



- Package Of 3 Terminals
- Instructions For Assembly:
 - Insert Collar Around Conductor & Center Conductor Hole Over Collar Hole.
 - Install Clip with Legs on Top of Conductor & Snap Its End Around Bottom of Collar.
 - **CAUTION:** Assemble As Shown. Collar Must Surround Conductor & Clip Legs Must Be On Top Of Conductor.

