

SYLVANIA Lamps

TruWave® Technology Reflector Family

TruWave® Technology

TruWave® Technology offers the best alternative to natural light by mimicking the natural light spectrum, all while saving energy.

Benefits and Features

- Controls blue wavelengths for lower glare and reduced eye strain to improve readability and supports an improved sleep-wake cycle
- Perfect fit where clean light color rendering is needed for seeing realistic, vivid colors without sacrificing light output
- Properly saturates red to make building spaces and flesh tones accurate and vibrant, without oversaturating which compromises energy efficiencies
- Exceptional color quality without the loss of efficacy typical of most 90+ CRI solutions
- Up to 92 LPW
- 2700K, 3000K, 3500K, 4000K and 5000K color temperatures
- Available beam angle: 110°

Electrical

- 120VAC
- Power factor >0.90
- Dimmable down to 10%

Rated Life

- 15,000 hours (L₇₀)

Warranty

- 5 year limited lamp warranty (3 hours per day operation)
- NLB Trusted Warranty Program

Ambient Operating Range

- -4°F to 104°F (-20°C to 40°C)



Wattage Comparison

Traditional Source	Traditional System Wattage	LED System Wattage	Energy Savings
R20 Incandescent	45	5, 5.5	\$66 / \$65.18
BR30 Incandescent	65	7, 7.5	\$95.7 / \$94.9
BR40 Incandescent	85	12, 12.5	\$120.45 / \$119.63

Certifications and Listings

- cULus
- cETLus
- RoHS
- ENERGY STAR®
- California Title 20 Certified

Installation

- Suitable for indoor and outdoor dry and damp locations
- Not for use in totally enclosed fixtures, emergency light fixtures, or exit lights



Catalog #	Type
Project	
Comments	
Prepared by	

Ordering Guide

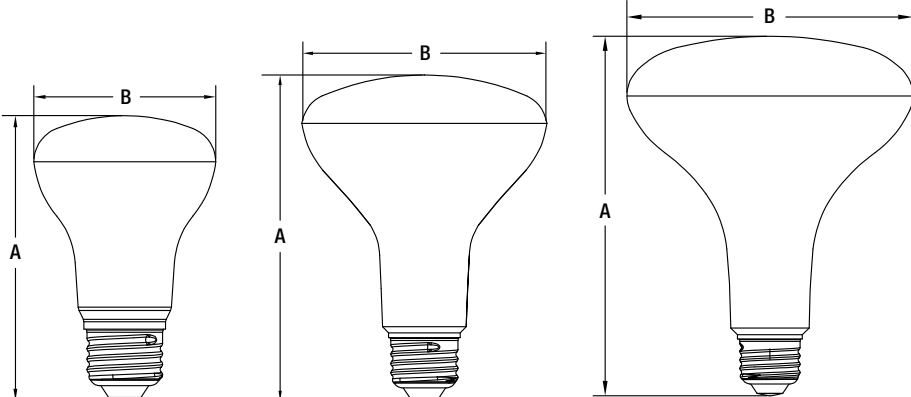
LED	XX	XXXX	DIM	9	XX	TL	RPX
LED	Wattage 5 = 5 Watts 5.5 = 5.5 Watts 7 = 7 Watts 7.5 = 7.5 Watts 12 = 12 Watts 12.5 = 12.5 Watts	Lamp Type R20 = R20 BR30 = BR30 BR40 = BR40	DIM = Dimmable	CRI 9 = 90+	Color Temperature 27 = 2700K 30 = 3000K 35 = 3500K 40 = 4000K 50 = 5000K	TL = TruWave® Technology	RP2 = 2PK Retail RP6 = 6PK Retail

Ordering Information

Item Number	Ordering Abbreviation	Power (W)	Lumens	Base	Replaces	Input Voltage	Average Rated Life		CRI	ENERGY STAR®
							(hrs)	CCT		
41153	LED5R20DIM935TLRP2 12/CS 2/SKU	5	450	E26 Medium	45W R20	120V	15,000	3500K	90+	Yes
41188	LED5R20DIM940TLRP2 12/CS 2/SKU	5	450	E26 Medium	45W R20	120V	15,000	4000K	90+	Yes
40789	LED5.5R20DIM930TLRP2 12/CS 2/SKU	5.5	450	E26 Medium	45W R20	120V	15,000	3000K	90+	Yes
40790	LED5.5R20DIM950TLRP2 12/CS 2/SKU	5.5	450	E26 Medium	45W R20	120V	15,000	5000K	90+	Yes
40788	LED5.5R20DIM927TLRP2 12/CS 2/SKU	5.5	450	E26 Medium	45W R20	120V	15,000	2700K	90+	Yes
40728	LED7BR30DIM927TLRP2 12/CS 2/SKU	7	650	E26 Medium	65W BR30	120V	15,000	2700K	90+	Yes
40831	LED7BR30DIM930TLRP2 12/CS 2/SKU	7	650	E26 Medium	65W BR30	120V	15,000	3000K	90+	Yes
41154	LED7BR30DIM935TLRP2 12/CS 2/SKU	7	650	E26 Medium	65W BR30	120V	15,000	3500K	90+	Yes
40832	LED7BR30DIM940TLRP2 12/CS 2/SKU	7	650	E26 Medium	65W BR30	120V	15,000	4000K	90+	Yes
40730	LED7BR30DIM950TLRP2 12/CS 2/SKU	7	650	E26 Medium	65W BR30	120V	15,000	5000K	90+	Yes
41328	LED7.5BR30DIM927TLRP6 24/CS 6/SKU	7.5	650	E26 Medium	65W BR30	120V	15,000	2700K	90+	Yes
42079	LED7.5BR30DIM935TLRP6 24/CS 6/SKU	7.5	650	E26 Medium	65W BR30	120V	15,000	3500K	90+	Yes
41329	LED7.5BR30DIM950TLRP6 24/CS 6/SKU	7.5	650	E26 Medium	65W BR30	120V	15,000	5000K	90+	Yes
41155	LED12BR40DIM935TLRP2 12/CS 2/SKU	12	1100	E26 Medium	85W BR40	120V	15,000	3500K	90+	Yes
41214	LED12BR40DIM940TLRP2 12/CS 2/SKU	12	1100	E26 Medium	85W BR40	120V	15,000	4000K	90+	Yes
40785	LED12.5BR40DIM927TLRP2 12/CS 2/SKU	12.5	1100	E26 Medium	85W BR40	120V	15,000	2700K	90+	Yes
40786	LED12.5BR40DIM930TLRP2 12/CS 2/SKU	12.5	1100	E26 Medium	85W BR40	120V	15,000	3000K	90+	Yes
40787	LED12.5BR40DIM950TLRP2 12/CS 2/SKU	12.5	1100	E26 Medium	85W BR40	120V	15,000	5000K	90+	Yes

Physical Information

	(A) MOL inches (mm)	(B) Diameter inches (mm)
R20	3.90 (99)	2.48 (63)
BR30	5 (127)	3.74 (95)
BR40	6.14 (156)	4.88 (124)



Color Quality Comparison

CCT	Spectral Power Distribution	TM-30-18 Fidelity Index
2700K		<p>TruWave® LED – Optimized Color Fidelity $R_f=92$</p> <p>80 CRI LED $R_f=84$</p>
3000K		<p>TruWave® LED – Optimized Color Fidelity $R_f=93$</p> <p>80 CRI LED $R_f=84$</p>
3500K		<p>TruWave® LED – Optimized Color Fidelity $R_f=93$</p> <p>80 CRI LED $R_f=85$</p>

Color Quality Comparison (continued)

CCT	Spectral Power Distribution	TM-30-18 Fidelity Index
4000K		
5000K		

LEDVANCE LLC
 181 Ballardvale Street, Suite 203
 Wilmington, MA 01887 USA
 Phone 1-800-LIGHTBULB (1-800-544-4828)
 www.ledvanceUS.com

SYLVANIA and LEDVANCE are registered trademarks.
 All other trademarks are those of their respective owners.
 Licensee of product trademark SYLVANIA in general lighting.
 Specifications subject to change without notice.



SCAN TO FOLLOW US
 ON SOCIAL MEDIA

