



Catalog Number: 4412-GSC3R-NK
Item Description: N3R SCREW CVR GUTTER NK
UPC Code: 784572106307

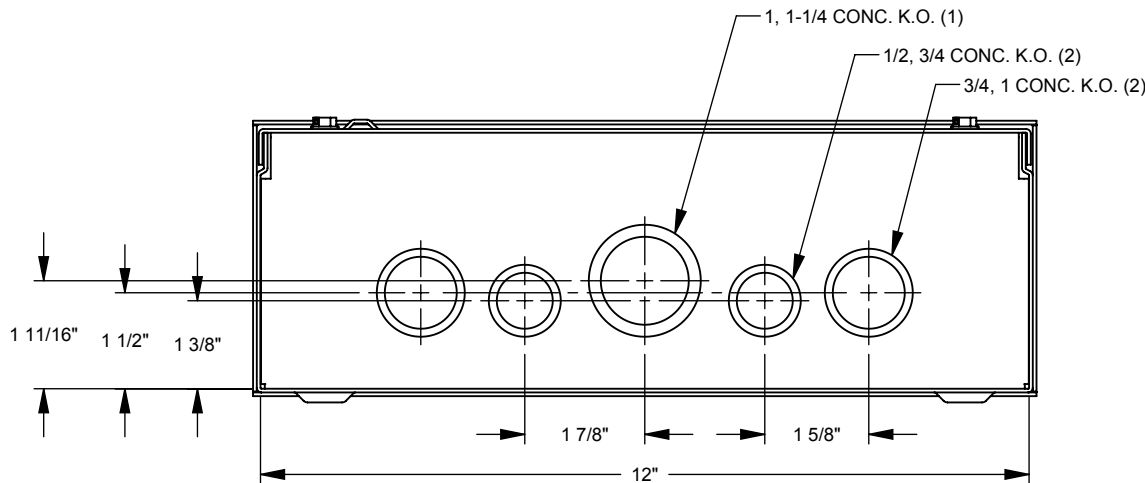
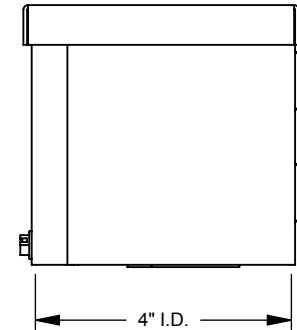
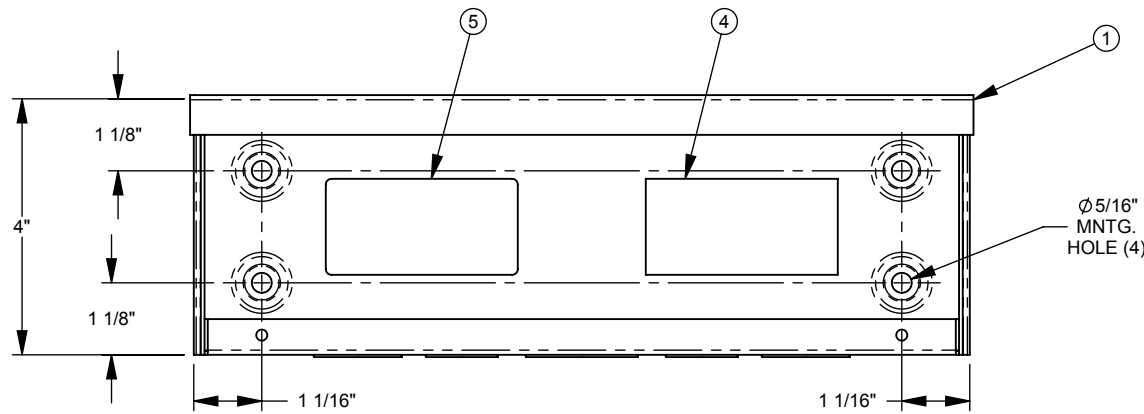
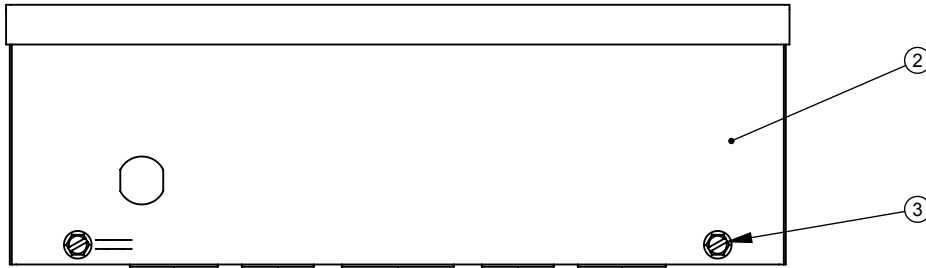
Brand Name: Milbank
Type: Wiring Trough
Special Features: Key Locking Cylinder Latch Provision,
Sealing Eye Lance
Application: Wireway
Standard: UL Listed, Type 3R
Cover Type: Screw Cover
Enclosure: Outdoor Enclosure
Nominal Cross Section: 4x4
Straight Section Length: 12
Material: Steel with Powder Coat Finish
Finish: ANSI 61 Gray
Knockouts: False




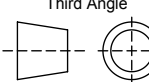
Utility requirements may vary. Always consult the serving utility for their requirements prior to ordering or installing this equipment. This product must always be installed by a licensed electrician. Installation of this equipment may require local electrical inspector approval.

CAT. NO.	U/L LABEL
4412-GSC3R	1002943
RC-4412-GSC3R	1125051
SPRSCG-4412	1132575

ITEM	QTY.	PART NUMBER	DESCRIPTION
1	1	1152999	BACK WELDMENT
2	1	1011015	FRONT
3	2	1001290	SCREW, 10-32 X 5/16
4	1	1002898	LABEL, RATING 4x4 GSC3R
5	1	(SEE CHART)	UL LABEL, WIREWAY



OLD DRAWING NO.: 267

Material:	16 GA. GALV. STEEL	 <p>General Offices: Kansas City, MO</p>		
Shear/ Die#:				
Finish:	MILBANK LIGHT GRAY	Title:	SCREW COVER WIREWAY NEMA TYPE 3R	
Part Wt.:		Catalog No.:	(SEE CHART)	
Tolerances: Unless Specified Otherwise X.X ±.1 X.XX ±.03 X.XXX ±.015 X* ±2*		Customer:		
Scale: NTS Drawn By: D.F.		Third Angle 	Drawing No.:	1001722
Checked By: Approved By:		Date:	5/5/11	Sheet 1 of 1

REV.	DATE	DESCRIPTION	BY
A3	5/5/11	REDRAW INTO SOLIDWORKS; UPDATE K.O. PATTERN (ECO #20576)	D.F.
A4	6/28/11	DRAWING NUMBER WAS 267 (ECO #20896)	D.F.



Catalog Number: 4412-GSC3R-NK
Item Description: N3R SCREW CVR GUTTER NK
UPC Code: 784572106307

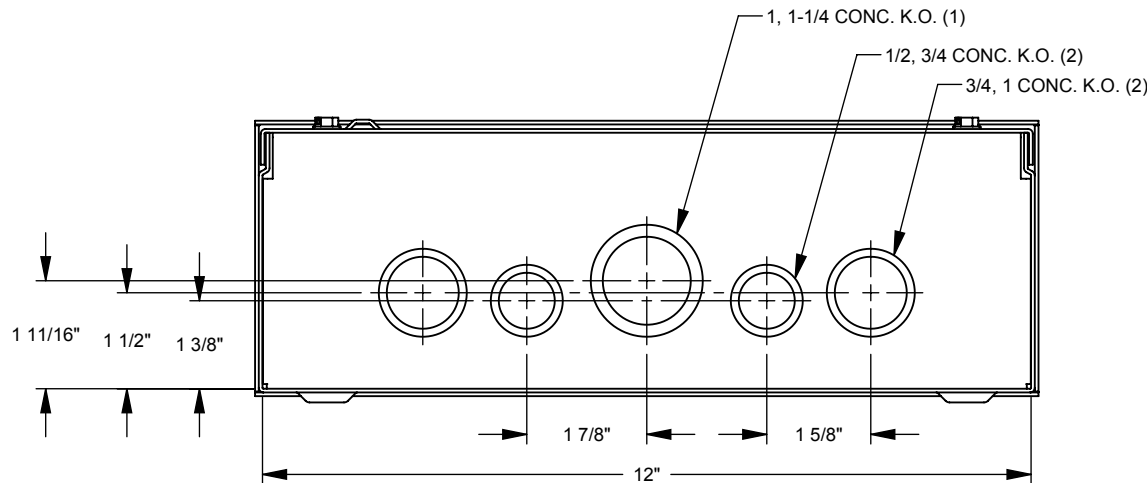
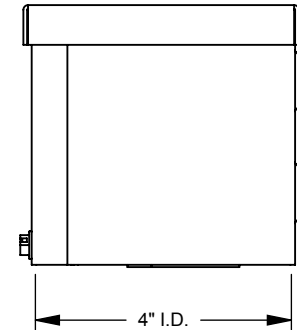
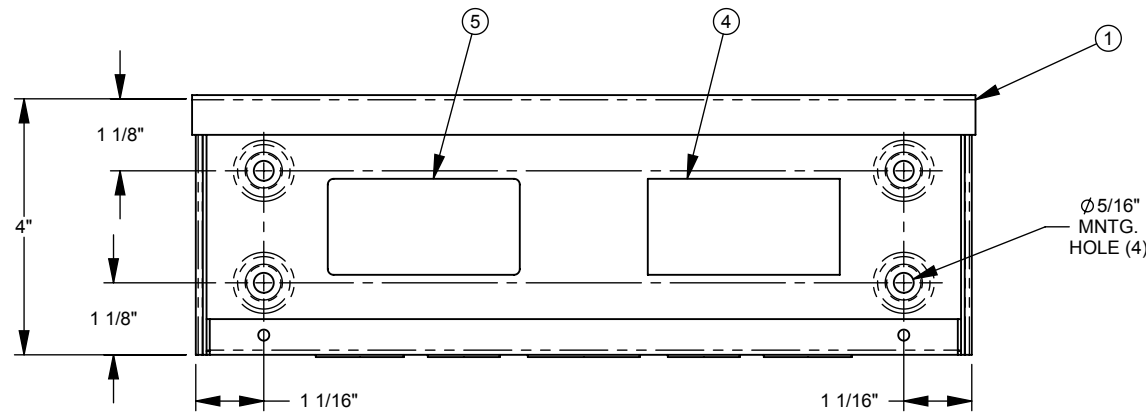
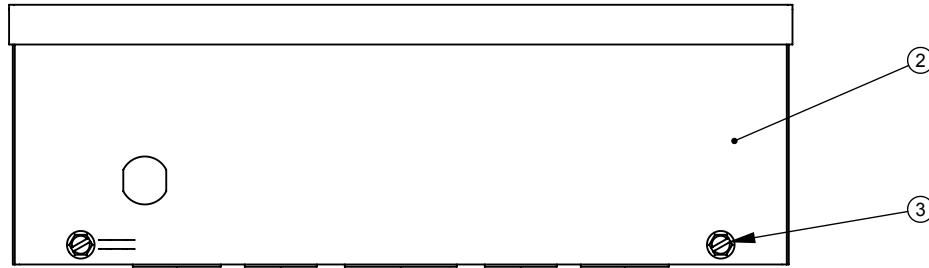
Brand Name: Milbank
Type: Wiring Trough
Special Features: Key Locking Cylinder Latch Provision,
Sealing Eye Lance
Application: Wireway
Standard: UL Listed, Type 3R
Cover Type: Screw Cover
Enclosure: Outdoor Enclosure
Nominal Cross Section: 4x4
Straight Section Length: 12
Material: Steel with Powder Coat Finish
Finish: ANSI 61 Gray
Knockouts: False




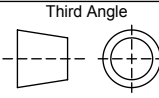
Utility requirements may vary. Always consult the serving utility for their requirements prior to ordering or installing this equipment. This product must always be installed by a licensed electrician. Installation of this equipment may require local electrical inspector approval.

CAT. NO.	U/L LABEL
4412-GSC3R	1002943
RC-4412-GSC3R	1125051
SPRSCG-4412	1132575

ITEM	QTY.	PART NUMBER	DESCRIPTION
1	1	1152999	BACK WELDMENT
2	1	1011015	FRONT
3	2	1001290	SCREW, 10-32 X 5/16
4	1	1002898	LABEL, RATING 4x4 GSC3R
5	1	(SEE CHART)	UL LABEL, WIREWAY



OLD DRAWING NO.: 267

Material:	16 GA. GALV. STEEL	 General Offices: Kansas City, MO
Shear/ Die#:		
Finish:	MILBANK LIGHT GRAY	Title: SCREW COVER WIREWAY NEMA TYPE 3R
Part Wt.:		Catalog No.: (SEE CHART)
Tolerances: Unless Specified Otherwise X.X ±.1 X.XX ±.03 X.XXX ±.015 X* ±2*		Customer:
Third Angle 		Drawing No.: 1001722
Scale:	NTS	Date: 5/5/11
Checked By:		Sheet 1 of 1
Approved By:		

REV.	DATE	DESCRIPTION	BY
A3	5/5/11	REDRAW INTO SOLIDWORKS; UPDATE K.O. PATTERN (ECO #20576)	D.F.
A4	6/28/11	DRAWING NUMBER WAS 267 (ECO #20896)	D.F.