



Catalog Number: 4424-GHC1-NK
Item Description: N1 HINGE CVR GUTTER NK
UPC Code: 784572106390

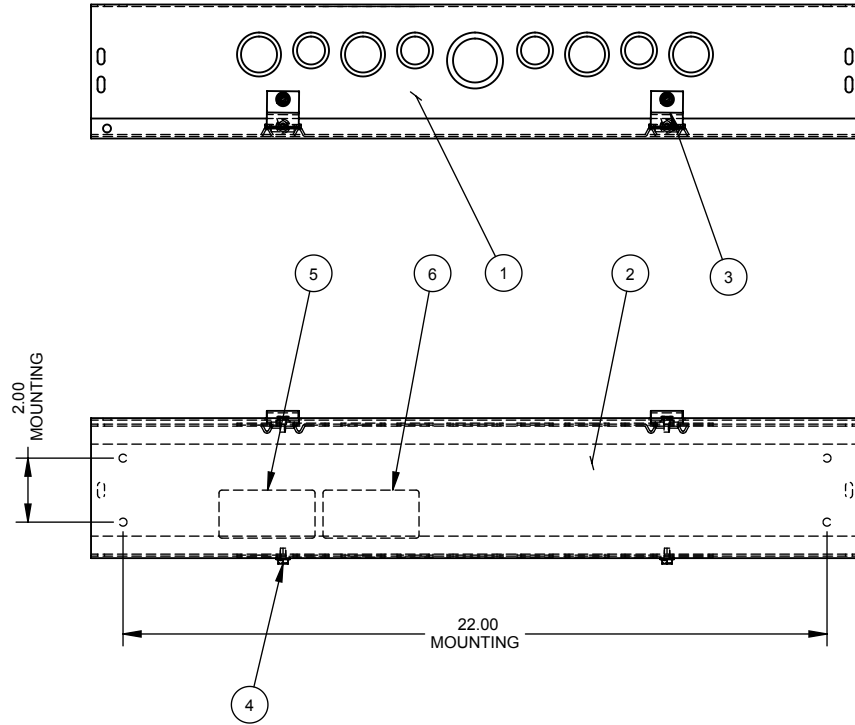
Brand Name: Milbank
Type: Lay In Wireway
Application: Wireway
Standard: UL Listed, Type 1
Cover Type: Hinge Cover
Enclosure: Indoor Enclosure
Nominal Cross Section: 4x4
Straight Section Length: 24
Material: Steel with Powder Coat Finish
Finish: ANSI 61 Gray
Knockouts: False



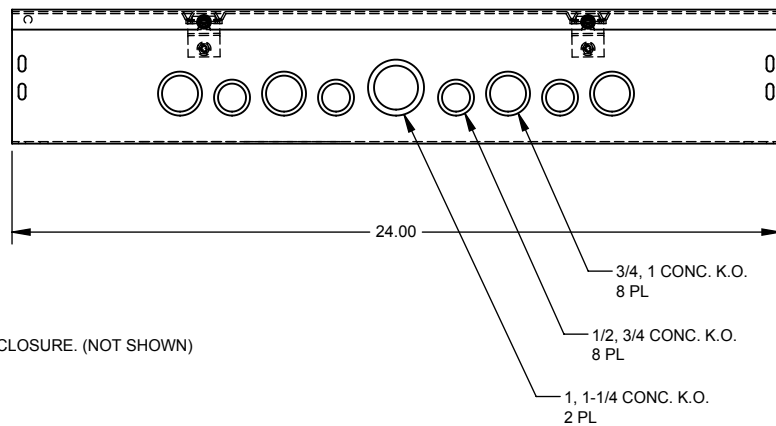
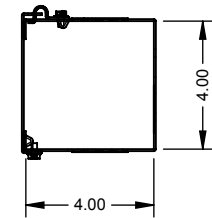
Utility requirements may vary. Always consult the serving utility for their requirements prior to ordering or installing this equipment. This product must always be installed by a licensed electrician. Installation of this equipment may require local electrical inspector approval.

CATALOG#	LABEL#
4424-GHC1(-)	1002943
RC-4424-GHC1(-)	1125051
SPH-442(-)	1132575

ITEM	QTY.	PART NUMBER	DESCRIPTION
1	1	(SEE CHART)	BACK
2	1	(SEE CHART)	TOP
3	2	1003198	HINGE
4	4	1001290	SCREW, 10-32 X 5/16
5	1	(SEE CHART)	UL LABEL, WIREWAY
6	1	1002900	LABEL, WIREWAY FITTING
7	2	1002880	BAG ASSY (NOT SHOWN)
8	1	1003085	PAD (NOT SHOWN)



SUFFIX	BACK NO.	TOP NO.
-SU	1099677	1099680
-SUC	1128801	1128777
-SO	1128802	1128778
-SUNK	1100487	1099680
-NK	1128803	1128778
-SUNKC	1128804	1128777



SUFFIX	FINISH
NONE	PAINTED
-NP	NOT PAINTED

NOTE:
1. PLACE BAG ASS'Y INSIDE ENCLOSURE. (NOT SHOWN)

NEMA DWG.: #352

Material:	16 GA. - SEE CHART		General Offices: Kansas City, MO		
Finish:	SEE CHART		Title:	HINGE COVER WIREWAY 4 x 4 x 24, TYPE 1 NEMA ENCLOSURE	
Tolerances: Unless Specified Otherwise X.X ±.1 X.XX ±.03 X.XXX ±.015 X° ±2°				Catalog No.:	(SEE CHART)
		Customer:		MILBANK STANDARD	
		Drawing No.:		1003794	
Scale:	NTS	Checked By:		Date:	05/09/02
Drawn By:	DY	Approved By:		Sheet	1 of 1

C1	9-7-06	mECO #15137, ADDED NOTE #2.	CMW	D1	4/9/08	ADDED CHART & REMOVED NOTE #2(ECO.17139)	JLT
D	8-27-07	ADDED BACK & COVER CHART ECO. 15946	DL	D2	7/22/11	ADD 1003085; DWG NAME WAS 352 (ECO #21023)	D.F.