



Catalog Number: 4436-GSC3R-NK
Item Description: N3R SCREW CVR GUTTER NK
UPC Code: 784572106499

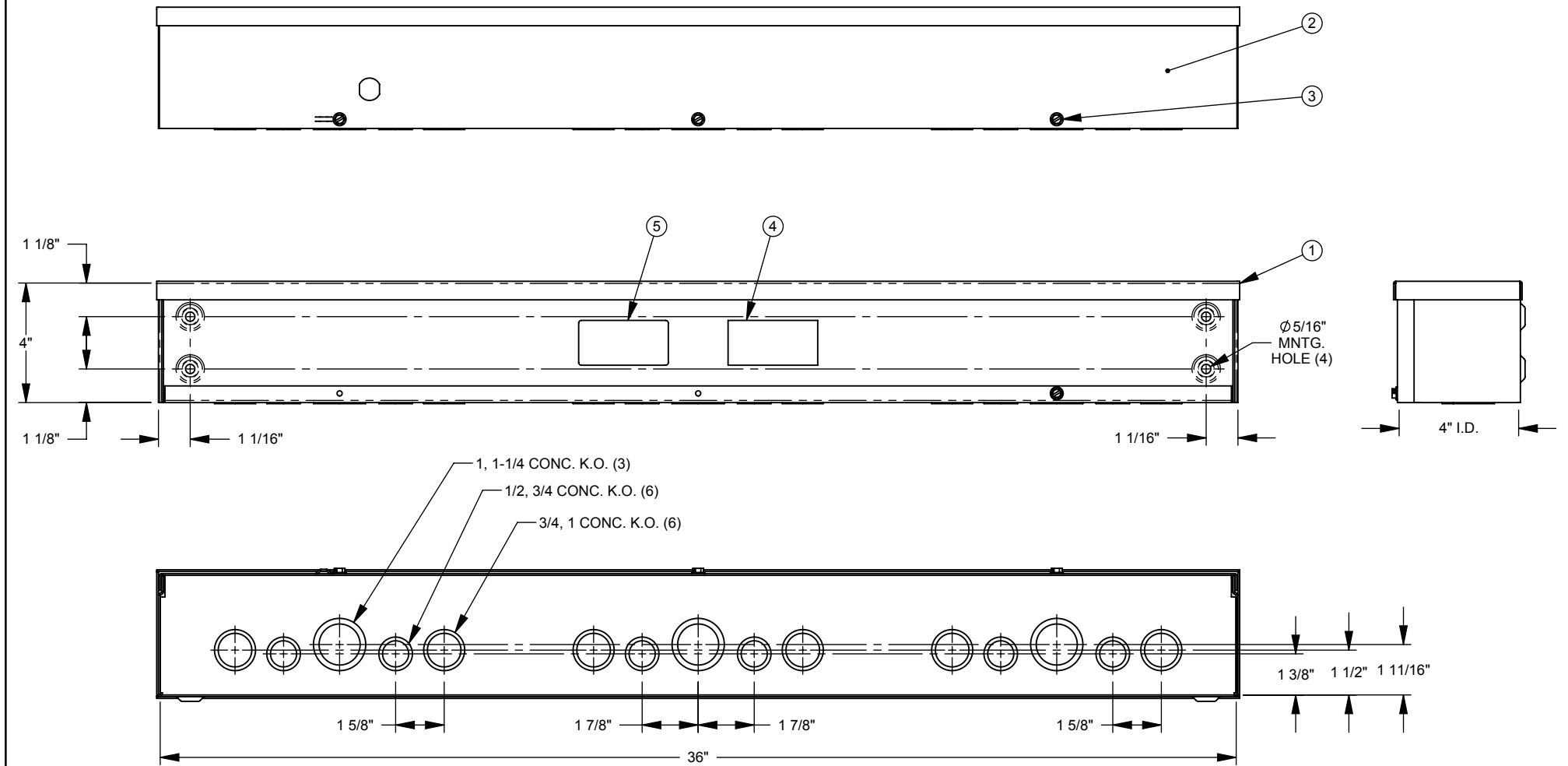
Brand Name: Milbank
Type: Wiring Trough
Special Features: Key Locking Cylinder Latch Provision,
Sealing Eye Lance
Application: Wireway
Standard: UL Listed, Type 3R
Cover Type: Screw Cover
Enclosure: Outdoor Enclosure
Nominal Cross Section: 4x4
Straight Section Length: 36
Material: Steel with Powder Coat Finish
Finish: ANSI 61 Gray
Knockouts: False




Utility requirements may vary. Always consult the serving utility for their requirements prior to ordering or installing this equipment. This product must always be installed by a licensed electrician. Installation of this equipment may require local electrical inspector approval.

CAT. NO.	U/L LABEL
4436-GSC3R	1002943
RC-4436-GSC3R	1125051
SPRSCG-4436	1132575

ITEM	QTY.	PART NUMBER	DESCRIPTION
1	1	1153003	BACK WELDMENT
2	1	1004405	FRONT
3	3	1001290	SCREW, 10-32 X 5/16
4	1	1002898	LABEL, RATING 4x4 GSC3R
5	1	(SEE CHART)	UL LABEL, WIREWAY
6	1	1003085	PAD (NOT SHOWN)



Material:	16 GA. GALV. STEEL	 <p>General Offices: Kansas City, MO</p>						
Shear/ Die#:								
Finish:	MILBANK LIGHT GRAY							
Part Wt.:								
Tolerances: Unless Specified Otherwise X.X ±.1 X.XX ±.03 X.XXX ±.015 X* ±2*		Title: SCREW COVER WIREWAY NEMA TYPE 3R Catalog No.: (SEE CHART) Customer:						
REV.	DATE	DESCRIPTION	BY	Scale:	NTS	Checked By:	Drawing No.:	270
B	5/6/11	REDRAW INTO SOLIDWORKS; UPDATE K.O. PATTERN; 1004405 WAS 1010725 (ECO #20576)	D.F.	Drawn By:	D.F.	Approved By:	Date:	5/6/11
C	8/12/11	ADD #1003085 PAD WITH SLIT (mECO#21106)	JLT				Sheet	1 of 1



Catalog Number: 4436-GSC3R-NK
Item Description: N3R SCREW CVR GUTTER NK
UPC Code: 784572106499

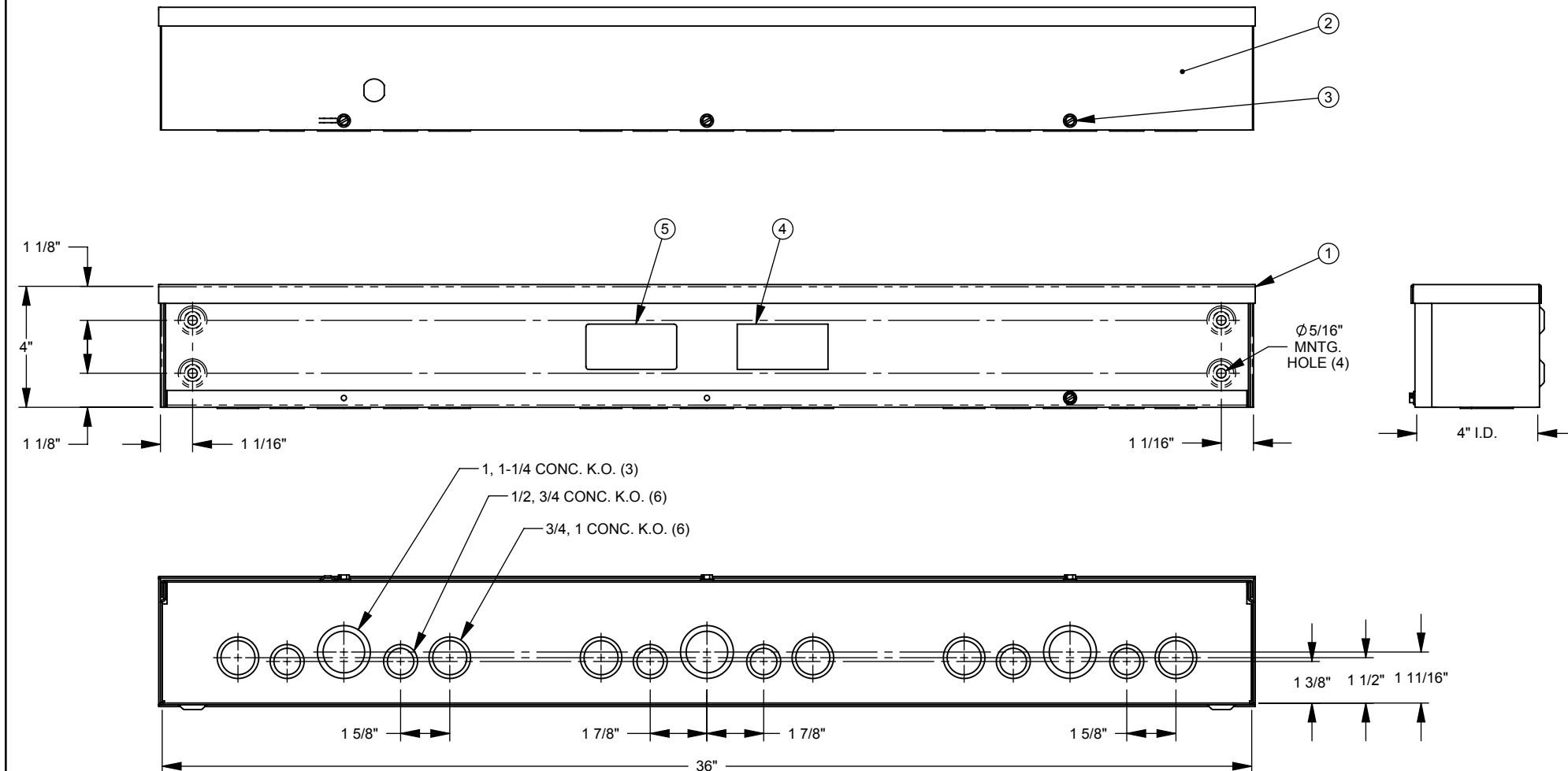
Brand Name: Milbank
Type: Wiring Trough
Special Features: Key Locking Cylinder Latch Provision,
Sealing Eye Lance
Application: Wireway
Standard: UL Listed, Type 3R
Cover Type: Screw Cover
Enclosure: Outdoor Enclosure
Nominal Cross Section: 4x4
Straight Section Length: 36
Material: Steel with Powder Coat Finish
Finish: ANSI 61 Gray
Knockouts: False




Utility requirements may vary. Always consult the serving utility for their requirements prior to ordering or installing this equipment. This product must always be installed by a licensed electrician. Installation of this equipment may require local electrical inspector approval.

CAT. NO.	U/L LABEL
4436-GSC3R	1002943
RC-4436-GSC3R	1125051
SPRSCG-4436	1132575

ITEM	QTY.	PART NUMBER	DESCRIPTION
1	1	1153003	BACK WELDMENT
2	1	1004405	FRONT
3	3	1001290	SCREW, 10-32 X 5/16
4	1	1002898	LABEL, RATING 4x4 GSC3R
5	1	(SEE CHART)	UL LABEL, WIREWAY
6	1	1003085	PAD (NOT SHOWN)



REV.	DATE	DESCRIPTION	BY
B	5/6/11	REDRAW INTO SOLIDWORKS; UPDATE K.O. PATTERN; 1004405 WAS 1010725 (ECO #20576)	D.F.
C	8/12/11	ADD #1003085 PAD WITH SLIT (mECO#21106)	JLT

Material:	16 GA. GALV. STEEL	 <p>General Offices: Kansas City, MO</p>	
Shear/ Die#:			
Finish:	MILBANK LIGHT GRAY		
Part Wt.:			
Tolerances: Unless Specified Otherwise X.X ±.1 X.XX ±.03 X.XXX ±.015 X* ±2*		Title: SCREW COVER WIREWAY NEMA TYPE 3R Catalog No.: (SEE CHART) Customer: Drawing No.: 270	
Scale:	NTS	Checked By:	
Drawn By:	D.F.	Approved By:	
Date:	5/6/11	Sheet	1 of 1