



Catalog Number: 484812-SC1-NK  
Item Description: N1 SCREW COVER ENCL NK  
UPC Code: 784572107243

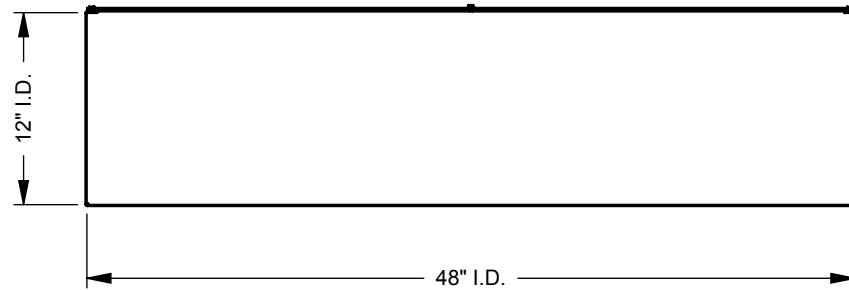
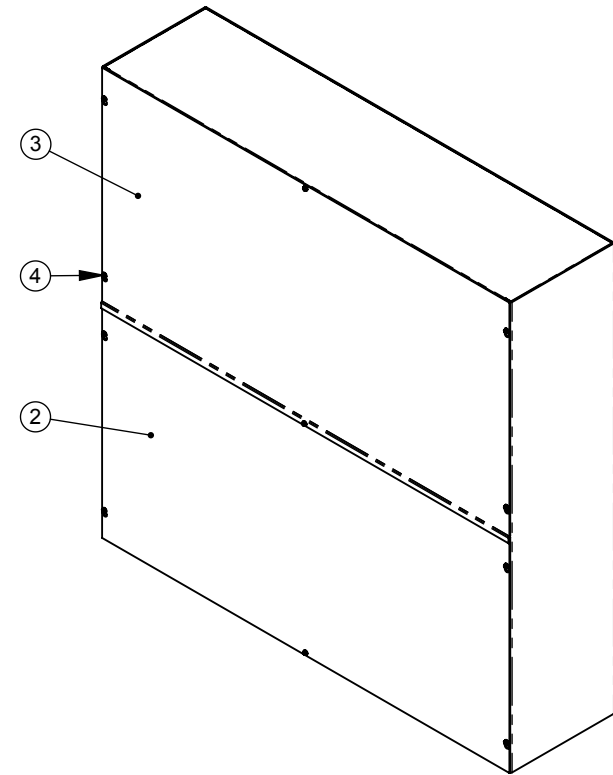
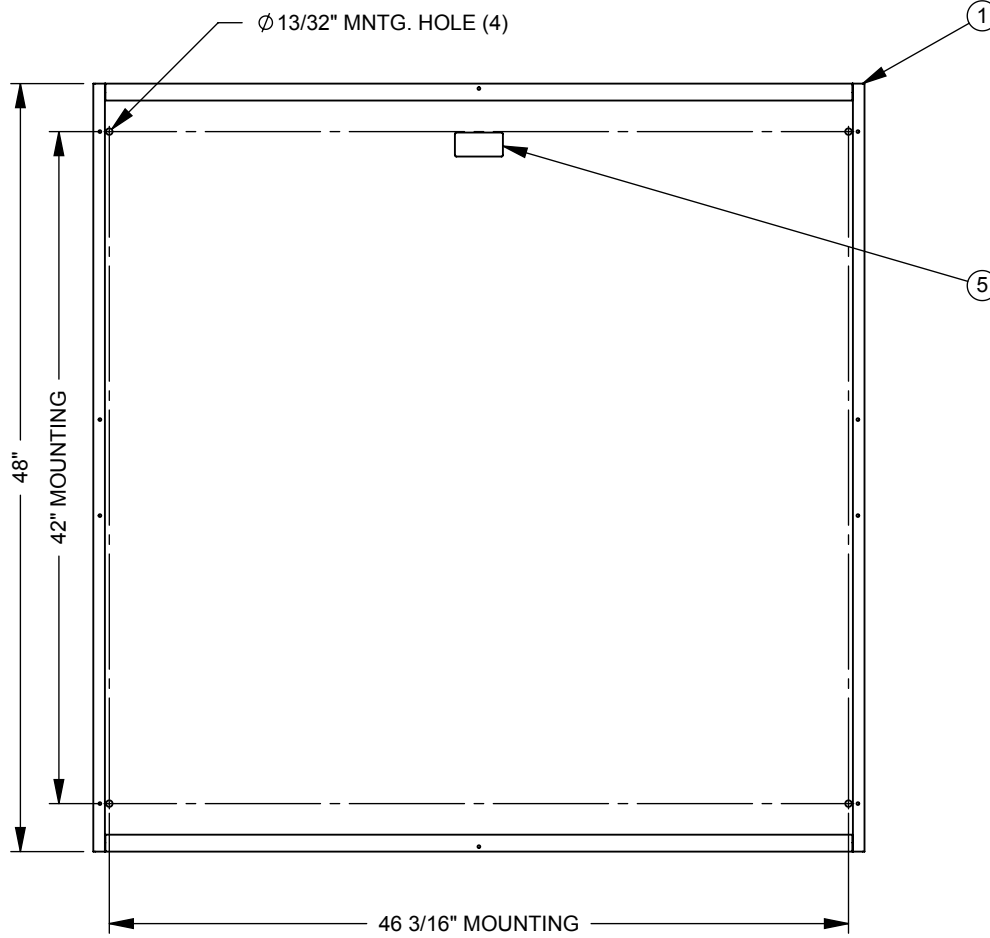
Brand Name: Milbank  
Type: Screw Cover  
Special Features: Cover Secured with Plated Screws  
Application: Enclosure for Mounting Electrical Equipment  
Standard: UL Listed  
Number Of Outlet: 0  
Material: Steel with Powder Coat Finish  
Color: ANSI 61 Gray  
Mounting: Wall Mount  
NEMA Rating: Type 1




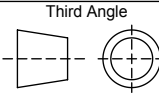
*Utility requirements may vary. Always consult the serving utility for their requirements prior to ordering or installing this equipment. This product must always be installed by a licensed electrician. Installation of this equipment may require local electrical inspector approval.*

CATALOG NO.	LABEL NO.
484812-SC1-NK	1002135
RC-484812-SC1-NK	1125021
SPSC-484812N	1132714

ITEM	QTY.	PART NUMBER	DESCRIPTION
1	1	1148505	BACK WELDMENT
2	1	1134328	LOWER COVER
3	1	1134329	UPPER COVER
4	11	1001290	SCREW, 10-32 X 5/16
5	1	(SEE CHART)	LABEL (UL)
6	1	1131574	CARTON (NOT SHOWN)



REV.	DATE	DESCRIPTION	BY
A3	8/25/10	REDRAW INTO SOLIDWORKS (ECO #19836)	D.F.
B	6/20/12	DELETE 1002475 (ECO #22517)	D.F.

Material:	12 GA. GALV. STL BACK/COVERS 16 GA. GALV. STL TOP/BTM	 General Offices: Kansas City, MO	
Shear/ Die#:			
Finish:	MILBANK LIGHT GRAY	Title:	SCREW COVER CAN NEMA TYPE 1
Part Wt.:		Catalog No.:	484812-SC1-NK
Tolerances: Unless Specified Otherwise X.X ±.1 X.XX ±.03 X.XXX ±.015 X* ±2*		Customer:	AMELCO
Third Angle 		Drawing No.:	1001728
Scale:	NTS	Date:	8/25/10
Drawn By:	D.F.	Sheet	1 of 1



Catalog Number: 484812-SC1-NK  
Item Description: N1 SCREW COVER ENCL NK  
UPC Code: 784572107243

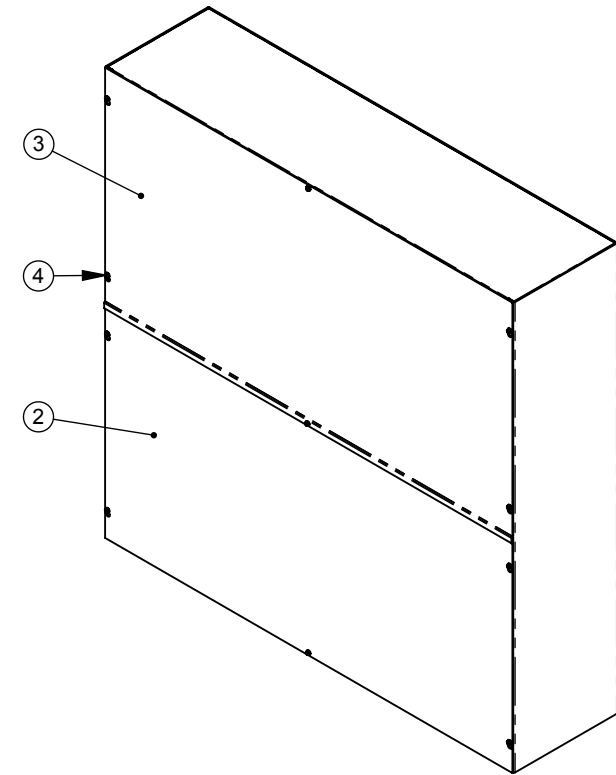
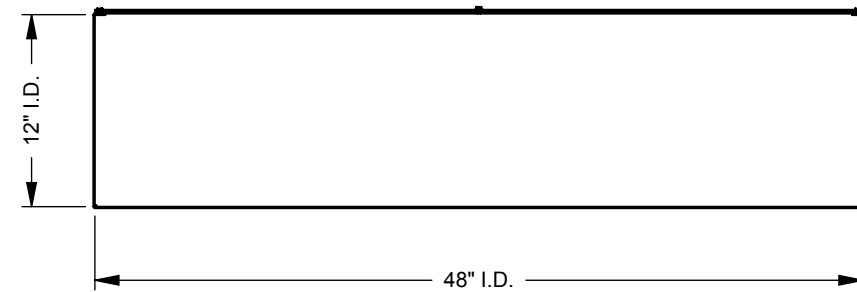
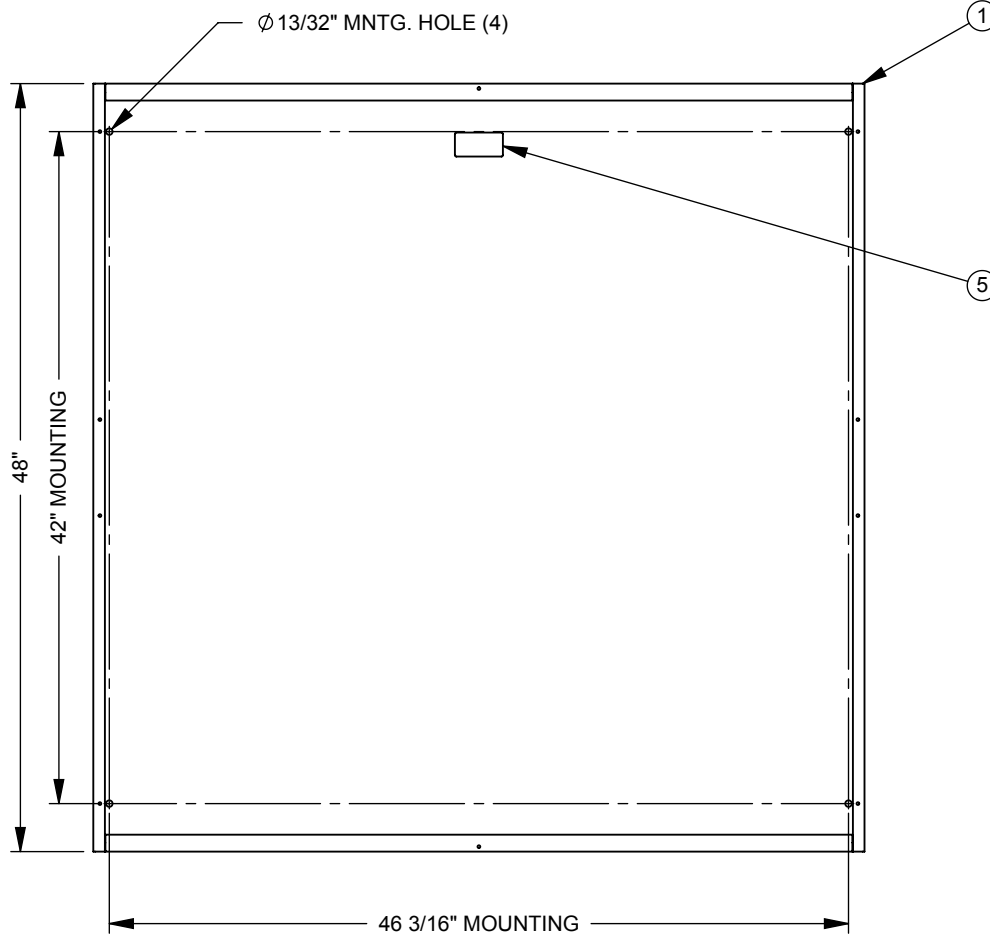
Brand Name: Milbank  
Type: Screw Cover  
Special Features: Cover Secured with Plated Screws  
Application: Enclosure for Mounting Electrical Equipment  
Standard: UL Listed  
Number Of Outlet: 0  
Material: Steel with Powder Coat Finish  
Color: ANSI 61 Gray  
Mounting: Wall Mount  
NEMA Rating: Type 1




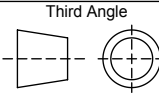
*Utility requirements may vary. Always consult the serving utility for their requirements prior to ordering or installing this equipment. This product must always be installed by a licensed electrician. Installation of this equipment may require local electrical inspector approval.*

CATALOG NO.	LABEL NO.
484812-SC1-NK	1002135
RC-484812-SC1-NK	1125021
SPSC-484812N	1132714

ITEM	QTY.	PART NUMBER	DESCRIPTION
1	1	1148505	BACK WELDMENT
2	1	1134328	LOWER COVER
3	1	1134329	UPPER COVER
4	11	1001290	SCREW, 10-32 X 5/16
5	1	(SEE CHART)	LABEL (UL)
6	1	1131574	CARTON (NOT SHOWN)



REV.	DATE	DESCRIPTION	BY
A3	8/25/10	REDRAW INTO SOLIDWORKS (ECO #19836)	D.F.
B	6/20/12	DELETE 1002475 (ECO #22517)	D.F.

Material:	12 GA. GALV. STL BACK/COVERS 16 GA. GALV. STL TOP/BTM	 General Offices: Kansas City, MO	
Shear/ Die#:			
Finish:	MILBANK LIGHT GRAY	Title:	SCREW COVER CAN NEMA TYPE 1
Part Wt.:		Catalog No.:	484812-SC1-NK
Tolerances: Unless Specified Otherwise X.X ±.1 X.XX ±.03 X.XXX ±.015 X* ±2*		Customer:	AMELCO
Third Angle 		Drawing No.:	1001728
Scale:	NTS	Date:	8/25/10
Drawn By:	D.F.	Sheet	1 of 1