



SERVICE PARTS LIST

BULLETIN NO.
54-04-0010

SPECIFY CATALOG NO. AND SERIAL NO. WHEN ORDERING PARTS			REVISED BULLETIN	DATE
M12™ and M18™ Multi Voltage Battery Charger				Jan. 2013
CATALOG NO.	48-59-1812	SERIAL NUMBER	D63A	
			WIRING INSTRUCTION	

EXAMPLE:

00	0
----	---

 Component Parts (Small #)
 Are Included When Ordering
 The Assembly (Large #).

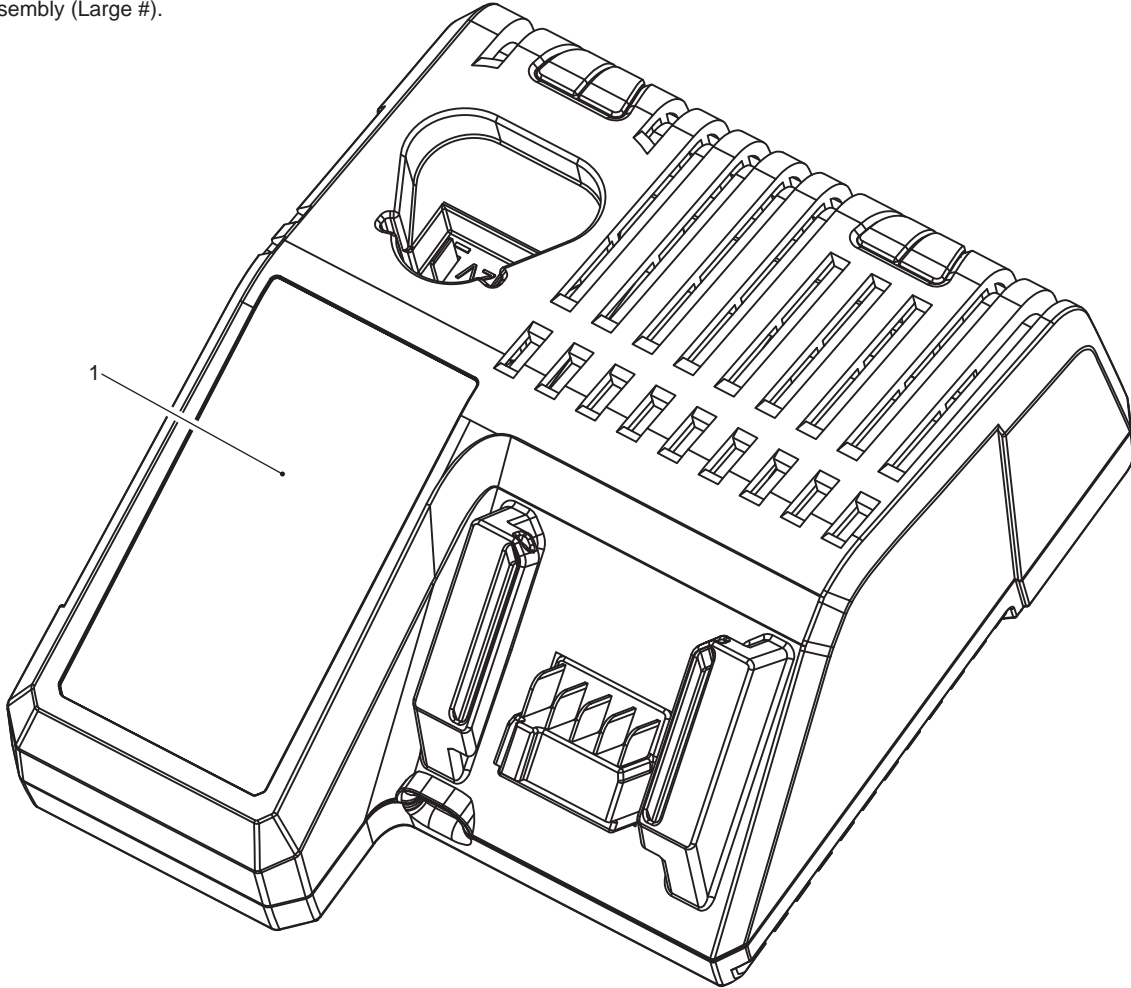


FIG.	PART NO.	DESCRIPTION OF PART	NO. REQ.
1	12-20-1812	Service Nameplate	(1)

FIG. NOTES

1 A clean, dry surface is essential for proper performance for any adhesive system. The area intended for application of any adhesive label or nameplate must be prepared by cleaning with isopropyl alcohol. The solvent is to be applied with a clean, lint free applicator and the surface allowed to dry before applying the label or nameplate.



SERVICE PARTS LIST

BULLETIN NO.
54-04-0010

SPECIFY CATALOG NO. AND SERIAL NO. WHEN ORDERING PARTS			REVISED BULLETIN	DATE
M12™ and M18™ Multi Voltage Battery Charger				Jan. 2013
CATALOG NO.	48-59-1812	SERIAL NUMBER	D63A	
			WIRING INSTRUCTION	

EXAMPLE:

00	0
----	---

 Component Parts (Small #)
 Are Included When Ordering
 The Assembly (Large #).

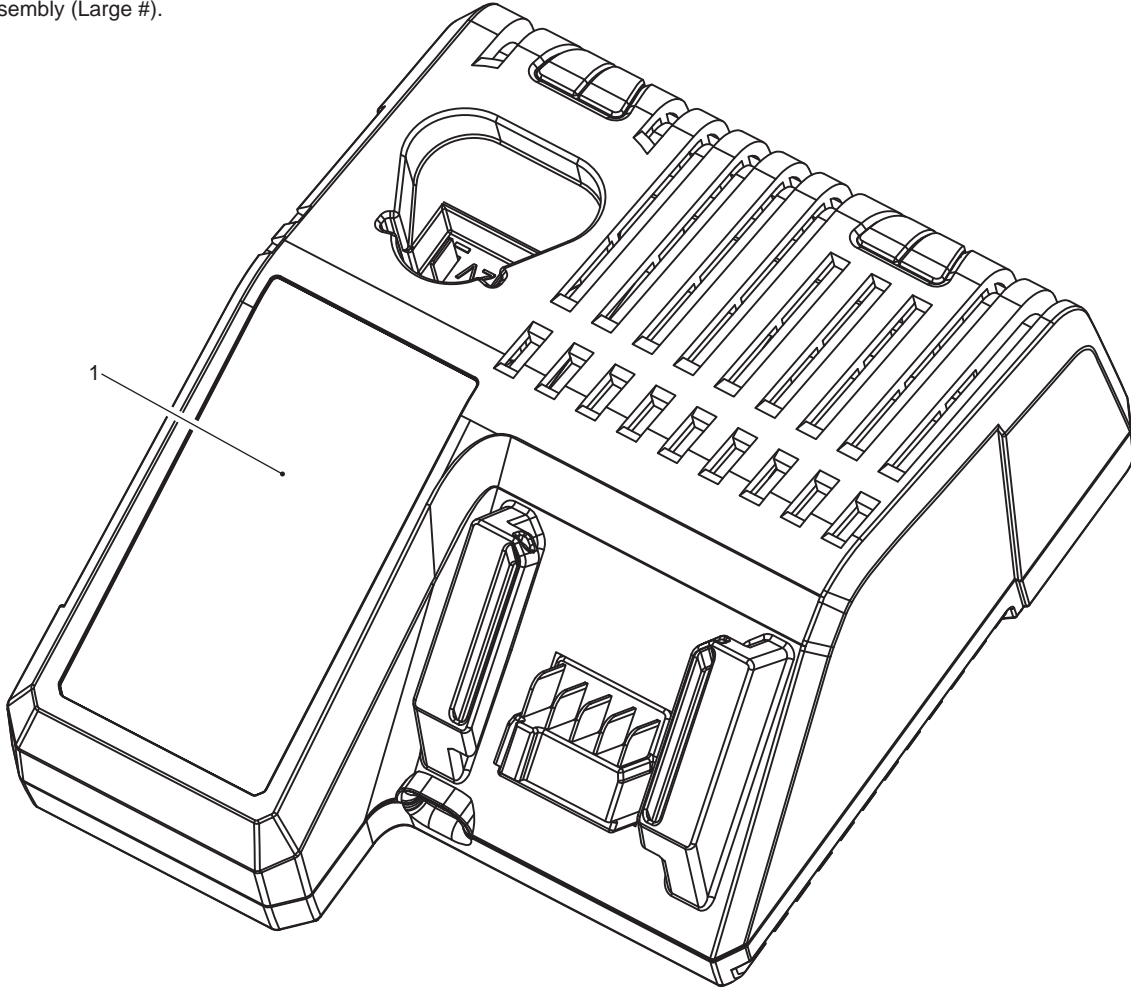


FIG.	PART NO.	DESCRIPTION OF PART	NO. REQ.
1	12-20-1812	Service Nameplate	(1)

FIG. NOTES

1 A clean, dry surface is essential for proper performance for any adhesive system. The area intended for application of any adhesive label or nameplate must be prepared by cleaning with isopropyl alcohol. The solvent is to be applied with a clean, lint free applicator and the surface allowed to dry before applying the label or nameplate.