



Catalog Number
Notes
Type

Contractor Select™

4BEMW LED

4" LED Module



Utilizing friction clip retention, the economical, E-Series LED downlight fits most manufacturers 4" recessed can-style housings. It can be dimmed down to 10% and maintains 70% light output after 54,000 hours of use. Ideal for both retrofitting and new construction in a variety of residential and light commercial settings such as multi-family residences, retail shops and offices.

FEATURES:

- Available in 5 color temperatures; 2700K, 3000K, 3500K, 4000K, or 5000K.
- Wet Location listed for indoor and outdoor installations.
- E26 adapter included.



Catalog Number	UPC	Description	Replaces up to	Lumens	Input Watts	CCT	CRI	Voltage	Finish	Pallet qty.
4BEMW LED 27K 90CRI M6	190887266719	4" LED Module	65Watt Incandescent	650	9.8W	2700K	90	120V	White	576
4BEMW LED 30K 90CRI M6	190887266702	4" LED Module	65Watt Incandescent	700	9.8W	3000K	90	120V	White	576
4BEMW LED 35K 90CRI M6	191723775457	4" LED Module	65Watt Incandescent	700	10W	3500K	90	120V	White	576
4BEMW LED 40K 90CRI M6	190887266733	4" LED Module	65Watt Incandescent	720	9.8W	4000K	90	120V	White	576
4BEMW LED 50K 90CRI M6	191723610307	4" LED Module	65Watt Incandescent	700	10W	5000K	90	120V	White	576

More configurations are available. [Click here](#) or visit www.acuitybrands.com and search for 4BEMW LED.

Compatible Dimmer Switches

Manufacturer	Model/Series	Part Numbers	Type
Leviton	Decora	6633-P	600W Incandescent
Lutron	Ariandni C-L	AYCL-153P	150W CFL/LED or 600W Incandescent
	Contour C-L	CTCL-153P	150W CFL/LED or 600W Incandescent
	Diva C-L	DVCL-153P	150W CFL/LED or 600W Incandescent
Pass & Seymour	Harmony	HCL453PTCCCV6	450W LED and CFL
Synergy	ISD	ISD 600 I 120*	600W Incandescent

**Must have minimum of qty 6 LED modules on a circuit to function.



Specifications

INTENDED USE:

Our recessed LED module is the most economical means to create a well lit environment with exceptional energy efficiency and near zero maintenance. Great for retrofit into existing downlight cans or new construction and remodel applications. Compliant friction clip retention allows itment into nearly 100% of installed cans. The LED module maintains at least 70% light output for 54,000 hours. Indoor and outdoor use.

CONSTRUCTION:

Aluminum spun reflector with deep baffle configuration for reduced glare. Combined LED and driver printed circuit board attached. Inner reflector cone funnels light through the pressed-in diffused lens.

OPTICS:

Diffused lens at end of mixing chamber to provide even light distribution for general illumination, equivalent to 65W BR30 Lamp. Wide flood beam angle at > 45°.

ELECTRICAL:

Center 2 Edge™ (patent pending) technology created for a single point source. Primary power disconnect provided for simple connection to a dedicated LED connector in the housing. Dimming down to 10%. For compatible dimmers, refer to Compatible Dimmers Chart. 700-lumen E series has an input wattage of 9.8 watts, 71 lumens per watt, equivalent to 65-watt incandescent. E Series' patent pending driver has zero inrush which allows power loads to be calculated with actual rated wattages. Example: 61 units of 4BEMW LED fixtures can be installed in line with a 600-watt dimmer. $600W/9.8W = 61$ fixtures.

INSTALLATION:

Suitable for installation in standard height rough-in sections. E26 socket adapter and ships standard. Friction clips allow fitment into cans with an inside diameter of 4.0" to 4.5".

LISTINGS:

CSA certified to US and Canadian safety standards. ENERGY STAR® certified. Can be used to comply with California Title 24 Part 6 High Efficacy LED Light Source Requirements. Wet location listed. WSEC ASTM E283 for Air-Tight (with IC housings).

WARRANTY:

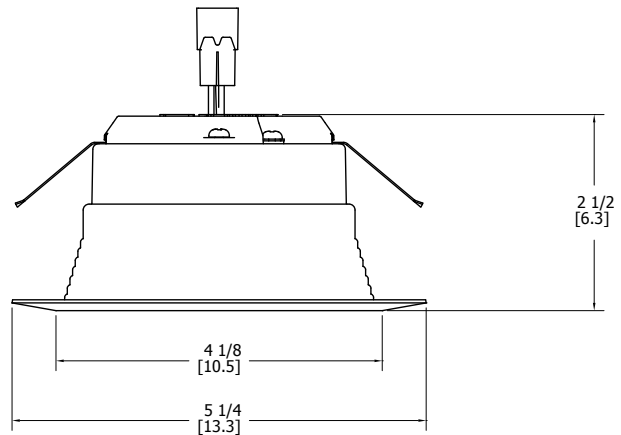
5-year limited warranty. Complete warranty terms located at:
www.acuitybrands.com/CustomerResources/Terms_and_conditions.aspx

Note: Actual performance may differ as a result of end-user environment and application. All values are design or typical values, measured under laboratory conditions at 25 °C. Specifications subject to change without notice. PATENTS PENDING.

Dimensions

Aperture: 4-1/8 (10.5)
Ceiling opening: Determined by rough-in
Overlap trim: 5-1/4 (13.3)
Height: 2-1/2 (6.3)

All dimensions are inches (centimeters) unless otherwise indicated.





Catalog Number
Notes
Type

Contractor Select™ 4BEMW LED

4" LED Module



Utilizing friction clip retention, the economical, E-Series LED downlight fits most manufacturers 4" recessed can-style housings. It can be dimmed down to 10% and maintains 70% light output after 54,000 hours of use. Ideal for both retrofitting and new construction in a variety of residential and light commercial settings such as multi-family residences, retail shops and offices.

FEATURES:

- Available in 5 color temperatures; 2700K, 3000K, 3500K, 4000K, or 5000K.
- Wet Location listed for indoor and outdoor installations.
- E26 adapter included.



Catalog Number	UPC	Description	Replaces up to	Lumens	Input Watts	CCT	CRI	Voltage	Finish	Pallet qty.
4BEMW LED 27K 90CRI M6	190887266719	4" LED Module	65Watt Incandescent	650	9.8W	2700K	90	120V	White	576
4BEMW LED 30K 90CRI M6	190887266702	4" LED Module	65Watt Incandescent	700	9.8W	3000K	90	120V	White	576
4BEMW LED 35K 90CRI M6	191723775457	4" LED Module	65Watt Incandescent	700	10W	3500K	90	120V	White	576
4BEMW LED 40K 90CRI M6	190887266733	4" LED Module	65Watt Incandescent	720	9.8W	4000K	90	120V	White	576
4BEMW LED 50K 90CRI M6	191723610307	4" LED Module	65Watt Incandescent	700	10W	5000K	90	120V	White	576

More configurations are available. [Click here](#) or visit www.acuitybrands.com and search for 4BEMW LED.

Compatible Dimmer Switches

Manufacturer	Model/Series	Part Numbers	Type
Leviton	Decora	6633-P	600W Incandescent
Lutron	Ariandni C-L	AYCL-153P	150W CFL/LED or 600W Incandescent
	Contour C-L	CTCL-153P	150W CFL/LED or 600W Incandescent
	Diva C-L	DVCL-153P	150W CFL/LED or 600W Incandescent
Pass & Seymour	Harmony	HCL453PTCCCV6	450W LED and CFL
Synergy	ISD	ISD 600 I 120*	600W Incandescent

**Must have minimum of qty 6 LED modules on a circuit to function.



Specifications

INTENDED USE:

Our recessed LED module is the most economical means to create a well lit environment with exceptional energy efficiency and near zero maintenance. Great for retrofit into existing downlight cans or new construction and remodel applications. Compliant friction clip retention allows itment into nearly 100% of installed cans. The LED module maintains at least 70% light output for 54,000 hours. Indoor and outdoor use.

CONSTRUCTION:

Aluminum spun reflector with deep baffle configuration for reduced glare. Combined LED and driver printed circuit board attached. Inner reflector cone funnels light through the pressed-in diffused lens.

OPTICS:

Diffused lens at end of mixing chamber to provide even light distribution for general illumination, equivalent to 65W BR30 Lamp. Wide flood beam angle at > 45°.

ELECTRICAL:

Center 2 Edge™ (patent pending) technology created for a single point source. Primary power disconnect provided for simple connection to a dedicated LED connector in the housing. Dimming down to 10%. For compatible dimmers, refer to Compatible Dimmers Chart. 700-lumen E series has an input wattage of 9.8 watts, 71 lumens per watt, equivalent to 65-watt incandescent. E Series' patent pending driver has zero inrush which allows power loads to be calculated with actual rated wattages. Example: 61 units of 4BEMW LED fixtures can be installed in line with a 600-watt dimmer. $600W/9.8W = 61$ fixtures.

INSTALLATION:

Suitable for installation in standard height rough-in sections. E26 socket adapter and ships standard. Friction clips allow fitment into cans with an inside diameter of 4.0" to 4.5".

LISTINGS:

CSA certified to US and Canadian safety standards. ENERGY STAR® certified. Can be used to comply with California Title 24 Part 6 High Efficacy LED Light Source Requirements. Wet location listed. WSEC ASTM E283 for Air-Tight (with IC housings).

WARRANTY:

5-year limited warranty. Complete warranty terms located at:
www.acuitybrands.com/CustomerResources/Terms_and_conditions.aspx

Note: Actual performance may differ as a result of end-user environment and application. All values are design or typical values, measured under laboratory conditions at 25 °C. Specifications subject to change without notice. PATENTS PENDING.

Dimensions

Aperture: 4-1/8 (10.5)
Ceiling opening: Determined by rough-in
Overlap trim: 5-1/4 (13.3)
Height: 2-1/2 (6.3)

All dimensions are inches (centimeters) unless otherwise indicated.

