

Project		Catalog #		Type	
Prepared by		Notes		Date	



# Metalux

## SHP

### LED Shoplight

#### Typical Applications

Portable Lighting • Workshops • Garages • Utility and Storage Rooms

#### Interactive Menu

- Order Information page 2
- Photometric Data page 2
- Product Warranty

#### Product Certification

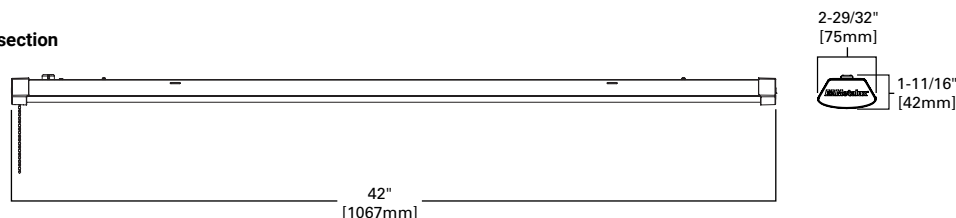


#### Top Product Features

- Fully assembled 42" long metal housing with finished end caps
- Frosted white lens provides an even distribution for any task
- Application versatility with standard and high lumen options
- Standard 120V, non-dimmable electronic driver
- 5ft power cord and plug, and pull chain for easy on/off operation

#### Dimensional and Mounting Details

Cross-section



additional product diagrams

## Order Information

Catalog Number	Product Description	UPC	Unit Carton (L x W x H)
4SHP3240R	Shoplight LED 44" 3200lm 4000K, 120V	080083785599	43.3 x 4.3 x 2.8
4SHP4540R	Shoplight LED 44" 4500lm 4000K, 120V	080083785605	43.3 x 4.3 x 2.8

## Product Specifications

### Construction

- Metal housing with high impact plastic end caps for finished design
- The frost polycarbonate white lens creates uniform illumination
- Suitable for suspended mount applications using 36 inch hang chain and two "S" hooks or direct hook with chain using built in hooks
- For surface mount, use included snap on brackets

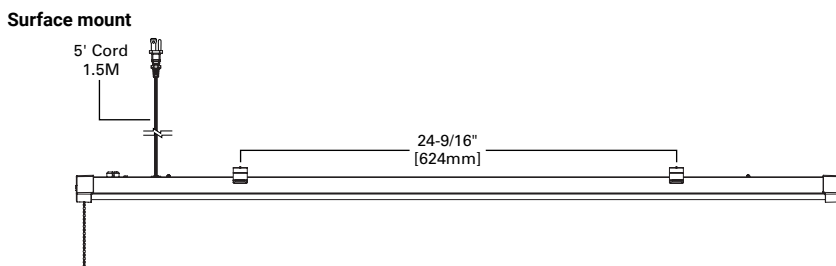
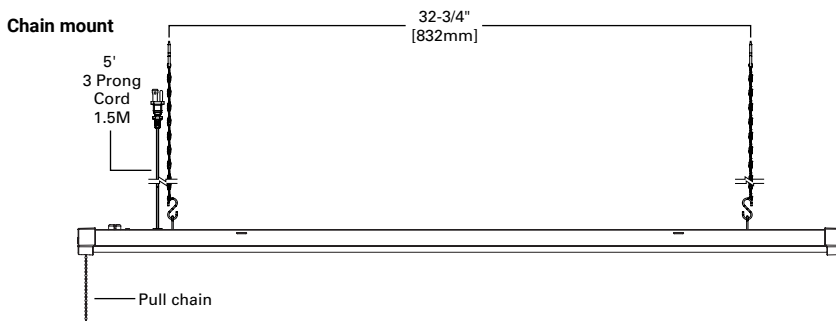
### Electrical

- Long-life fully integrated LED system and low wattage
- 120V electronic driver delivers optimal performance
- 80 CRI and bright white 4000K color temp creates excellent rendering for task oriented applications
- The SHP series comes in 3200 and 4500 lumen packages
- Easy on/off pull chain operation is standard

### Compliance and Reliability

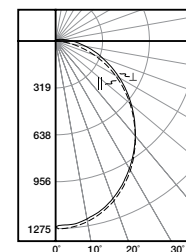
- cULus listed for dry locations
- Five-year comprehensive warranty
- TM21 projected lumen maintenance is L70 > 50,000 hours. FCC Class B and Energy Star Certified

## Dimensional and Mounting Details



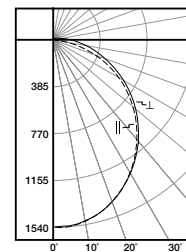
## Photometric Data

[View IES files](#)



### 4SHP3240R

Linear LED 4000K  
 Spacing criterion:  
 (||) 1.2 x mounting height,  
 (⊥) 1.26 x mounting height  
 Lumens: 3460  
 Input Watts: 31.6W  
 Efficacy: 109.5 lm/W  
 Test Report: P29460



### 4SHP4540R

Linear LED 4000K  
 Spacing criterion:  
 (||) 1.2 x mounting height,  
 (⊥) 1.23 x mounting height  
 Lumens: 4486  
 Input Watts: 42.9W  
 Efficacy: 104.6 lm/W  
 Test Report: P29644

## Energy and Performance Data

### Wattage

Model	Lumens	Wattage
4SHP3240R	3480	32
4SHP4540R	4486	43

### Shipping Data

Catalog No.	Wt.
4SHP3240R	2.8 lbs.
4SHP4540R	2.8 lbs.

Project		Catalog #		Type	
Prepared by		Notes		Date	



# Metalux

## SHP

### LED Shoplight

#### Typical Applications

Portable Lighting • Workshops • Garages • Utility and Storage Rooms

#### Interactive Menu

- Order Information page 2
- Photometric Data page 2
- Product Warranty

#### Product Certification

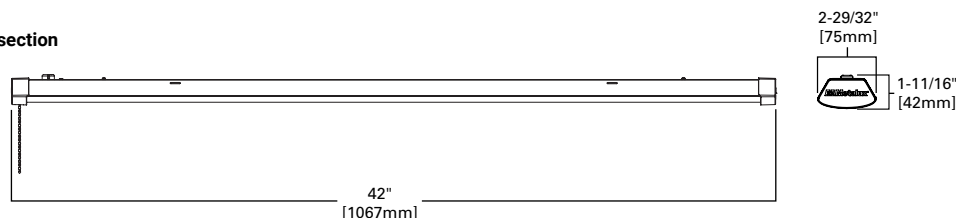


#### Top Product Features

- Fully assembled 42" long metal housing with finished end caps
- Frosted white lens provides an even distribution for any task
- Application versatility with standard and high lumen options
- Standard 120V, non-dimmable electronic driver
- 5ft power cord and plug, and pull chain for easy on/off operation

#### Dimensional and Mounting Details

Cross-section



additional product diagrams

## Order Information

Catalog Number	Product Description	UPC	Unit Carton (L x W x H)
4SHP3240R	Shoplight LED 44" 3200lm 4000K, 120V	080083785599	43.3 x 4.3 x 2.8
4SHP4540R	Shoplight LED 44" 4500lm 4000K, 120V	080083785605	43.3 x 4.3 x 2.8

## Product Specifications

### Construction

- Metal housing with high impact plastic end caps for finished design
- The frost polycarbonate white lens creates uniform illumination
- Suitable for suspended mount applications using 36 inch hang chain and two "S" hooks or direct hook with chain using built in hooks
- For surface mount, use included snap on brackets

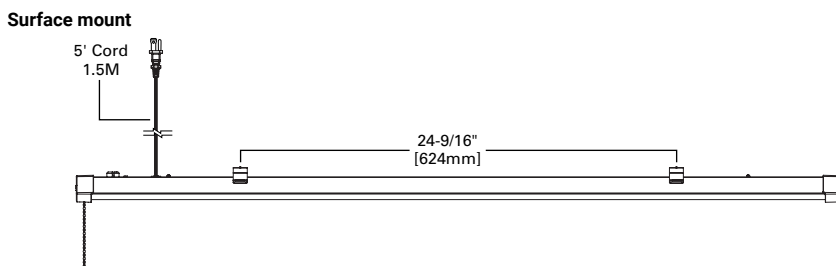
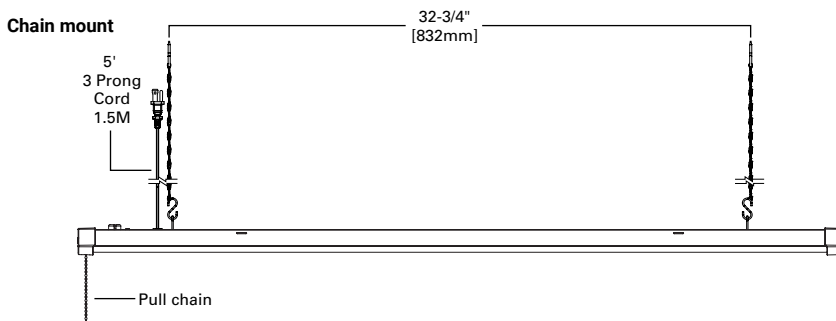
### Electrical

- Long-life fully integrated LED system and low wattage
- 120V electronic driver delivers optimal performance
- 80 CRI and bright white 4000K color temp creates excellent rendering for task oriented applications
- The SHP series comes in 3200 and 4500 lumen packages
- Easy on/off pull chain operation is standard

### Compliance and Reliability

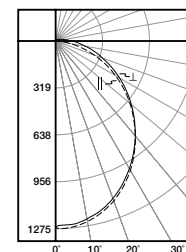
- cULus listed for dry locations
- Five-year comprehensive warranty
- TM21 projected lumen maintenance is L70 > 50,000 hours. FCC Class B and Energy Star Certified

## Dimensional and Mounting Details



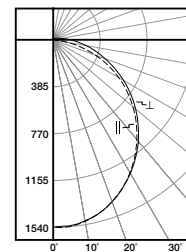
## Photometric Data

[View IES files](#)



### 4SHP3240R

Linear LED 4000K  
 Spacing criterion:  
 (||) 1.2 x mounting height,  
 (⊥) 1.26 x mounting height  
 Lumens: 3460  
 Input Watts: 31.6W  
 Efficacy: 109.5 lm/W  
 Test Report: P29460



### 4SHP4540R

Linear LED 4000K  
 Spacing criterion:  
 (||) 1.2 x mounting height,  
 (⊥) 1.23 x mounting height  
 Lumens: 4486  
 Input Watts: 42.9W  
 Efficacy: 104.6 lm/W  
 Test Report: P29644

## Energy and Performance Data

### Wattage

Model	Lumens	Wattage
4SHP3240R	3480	32
4SHP4540R	4486	43

### Shipping Data

Catalog No.	Wt.
4SHP3240R	2.8 lbs.
4SHP4540R	2.8 lbs.