

SPECIFICATION SHEET

5000M SERIES cULus DELAYED RESPONSE UTILITY GRADE MOV SURGE ARRESTOR PHOTOCONTROL

APPLICATIONS

- For use on streets, highways and other luminaries equipped with locking type receptacles, where most stringent surge protection is needed.

FEATURES

SENSOR:

Conformal coated CdS photocell resists effects of moisture and airborne contaminants. Photocell responds to the light spectrum near to that of a human eye.

OPERATION:

Delayed response prevents false switching due to light from vehicles or lighting, etc.

STANDARDS:

Meets UL773 and ANSI C136.10 including color designations. Also meets EEI NEMA standards.

HOUSING:

Polycarbonate housing and window, UV stabilized for permanent color. Provides high impact performance, flammability resistance, and electrically safe operations.

CONTACTS:

Bi-metal provides positive snap action switching, reducing bounce and prolonging contact life.

SPECIFICATIONS

ON/OFF:

Turn-ON is 1 to 3 fc. Turn-OFF to Turn-ON ratio is 5 max.

TIME DELAY:

ON and OFF.

CELL:

CdS, epoxy conformal coated 1/2" and 1" diameter models.

SURGE ARRESTOR:

380 joule MOV (metal oxide varistor) exceeds ANSI and NEMA requirements.

LOCKING PRONGS:

Solid brass for maximum corrosion resistance and electrical conductivity.

TEMPERATURE RANGE:

-40 °F to 140 °F (-40 °C to 60 °C).

FAIL MODE:

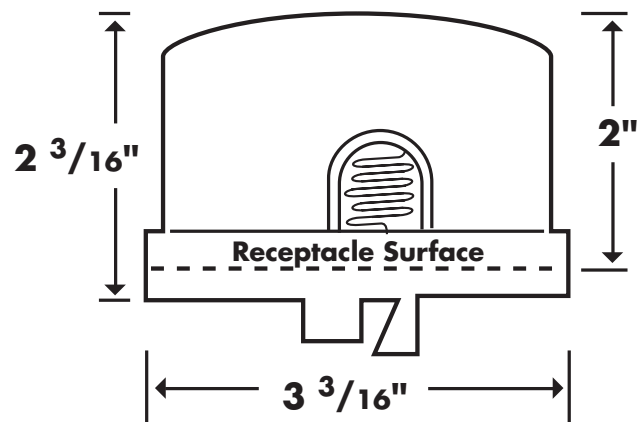
ON.

WARRANTY:

3 years.




WIRING DIAGRAMS



ORDERING INFO & CONTACT RATINGS

CAT. NO.	UPC CODE	VOLTAGE (VAC) 50-60Hz	LIGHT SENSOR	RATING	
				TUNGSTEN	BALLAST
5001M	61012	105-130	1"	2000W	1800VA
5004M	61013	208-277	1"	3470-4620W	2080-2770VA
5007M	61014	105-130/208-285	1/2"	2000W 3470-4620W	1800VA 2080-2770VA
5008M*	61017	480	1"	7500W	4800VA
5021M	61015	105-130	1/2"	2000W	1800VA
5024M	61016	208-277	1/2"	3470-4620W	2080-2770VA
NEW! 5026M**	61045	347	1/2"	5760W	3470VA

*Not UL listed or CSA certified.
 **CSA certified only. 

SPECIFICATION SHEET

5000M SERIES DELAYED RESPONSE UTILITY GRADE MOV SURGE ARRESTOR PHOTOCONTROL

APPLICATIONS

- For use on streets, highways and other luminaries equipped with locking type receptacles, where most stringent surge protection is needed.

FEATURES

SENSOR:

Conformal coated CdS photocell resists effects of moisture and airborne contaminants. Photocell responds to the light spectrum near to that of a human eye.

OPERATION:

Delayed response prevents false switching due to light from vehicles or lighting, etc.

STANDARDS:

Meets UL773 and ANSI C136.10 including color designations. Also meets EEI NEMA standards.

HOUSING:

Polycarbonate housing and window, UV stabilized for permanent color. Provides high impact performance, flammability resistance, and electrically safe operations.

CONTACTS:

Bi-metal provides positive snap action switching, reducing bounce and prolonging contact life.

SPECIFICATIONS

ON/OFF:

Turn-ON is 1 to 3 fc. Turn-OFF to Turn-ON ratio is 5 max.

TIME DELAY:

ON and OFF.

CELL:

CdS, epoxy conformal coated 1/2" and 1" diameter models.

SURGE ARRESTOR:

380 joule MOV (metal oxide varistor) exceeds ANSI and NEMA requirements.

LOCKING PRONGS:

Solid brass for maximum corrosion resistance and electrical conductivity.

TEMPERATURE RANGE:

-40 °F to 140 °F (-40 °C to 60 °C).

FAIL MODE:

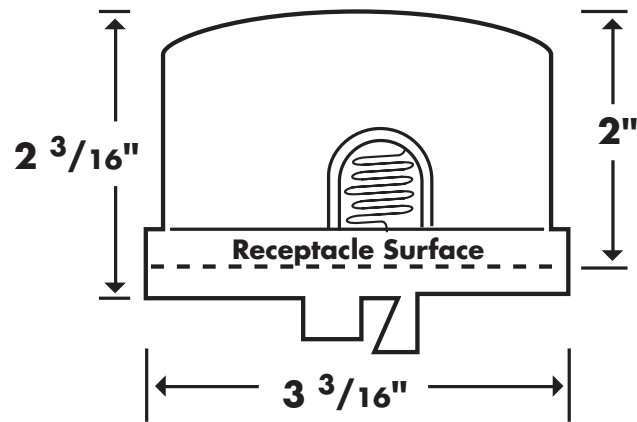
ON.

WARRANTY:

3 years.



WIRING DIAGRAMS



ORDERING INFO & CONTACT RATINGS

CAT. NO.	UPC CODE	VOLTAGE (VAC) 50-60Hz	LIGHT SENSOR	RATING	
				TUNGSTEN	BALLAST
5001M	61012	105-130	1"	2000W	1800VA
5004M	61013	208-277	1"	3470-4620W	2080-2770VA
5007M	61014	105-130/208-285	1/2"	2000W 3470-4620W	1800VA 2080-2770VA
5008M*	61017	480	1"	7500W	4800VA
5021M	61015	105-130	1/2"	2000W	1800VA
5024M	61016	208-277	1/2"	3470-4620W	2080-2770VA
NEW! 5026M**	61045	347	1/2"	5760W	3470VA

*Not UL listed or CSA certified.
**CSA certified only. 