

## DESCRIPTION

Showerlight trim with gasketed non-conductive corrosion-resistant polymer trim ring. Frosted glass lens.

Catalog #		Type
Project		
Comments		Date
Prepared by		

## SPECIFICATION FEATURES

Torsion springs pull trim tight to ceiling. Straight sided trim ring coordinates with Halo small aperture trims.

### Lamp Listings - Incandescent

H51CAT	35W PAR30L
H5RICAT	
H5T	60W A19, 50W PAR30
H5RT	

### Lamp Listings - GU24

H524ICAT	CF15/R30/GU24
H524ICATL	
H524RICAT	CF13/GU24 (spiral)
H524RICATL	

### Lamp Listings - CFL (4-Pin)

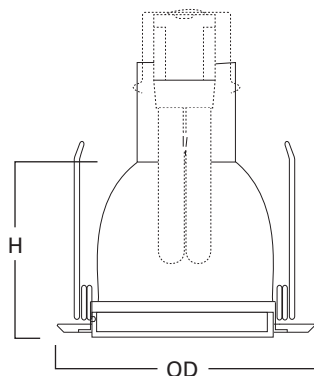
H513IC	13W DTT, 13W TTT Compact Fluorescent Lamp
H570ICAT	13W DTT, 13W TTT Compact Fluorescent Lamp
H570RICAT	
H571ICAT	18W DTT, 18W TTT Compact Fluorescent Lamp
H571RICAT	
H572ICAT	26W DTT, 26W TTT Compact Fluorescent Lamp
H572RICAT	
H573ICAT1D	
H573RICAT1D	



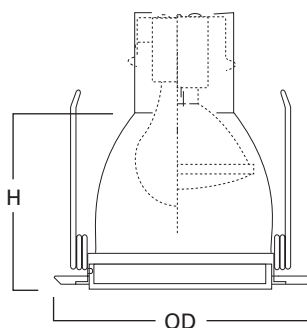
**5051PS**  
White Trim, Frosted Lens

**5051**

**5-Inch Frosted Lens Showerlight**



Height: 5-1/2" [140mm]  
Outside Diameter: 6-3/8" [162mm]



## ORDERING INFORMATION

Trim	Finish	Accessories
<input type="text"/>	<input type="text"/>	<input type="text"/>
5051 = 5" Frosted glass lens trim	PS = White trim ring with frosted glass lens	OT500P = 5" Oversize trim ring - white

## DESCRIPTION

Showerlight trim with gasketed non-conductive corrosion-resistant polymer trim ring. Frosted glass lens.

Catalog #		Type
Project		
Comments		Date
Prepared by		

## SPECIFICATION FEATURES

Torsion springs pull trim tight to ceiling. Straight sided trim ring coordinates with Halo small aperture trims.

### Lamp Listings - Incandescent

H51CAT	35W PAR30L
H5RICAT	
H5T	60W A19, 50W PAR30
H5RT	

### Lamp Listings - GU24

H524ICAT	CF15/R30/GU24
H524ICATL	
H524RICAT	CF13/GU24 (spiral)
H524RICATL	

### Lamp Listings - CFL (4-Pin)

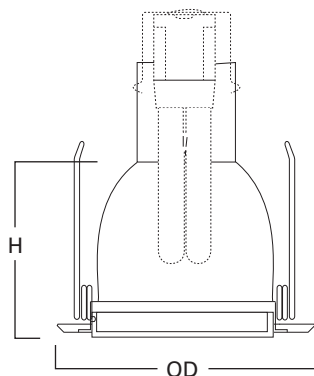
H513IC	13W DTT, 13W TTT Compact Fluorescent Lamp
H570ICAT	13W DTT, 13W TTT Compact Fluorescent Lamp
H570RICAT	
H571ICAT	18W DTT, 18W TTT Compact Fluorescent Lamp
H571RICAT	
H572ICAT	26W DTT, 26W TTT Compact Fluorescent Lamp
H572RICAT	
H573ICAT1D	
H573RICAT1D	



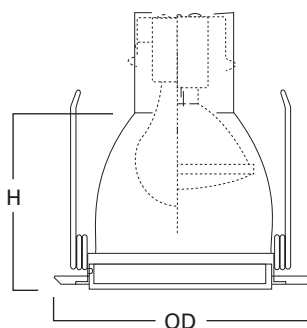
**5051PS**  
White Trim, Frosted Lens

**5051**

**5-Inch Frosted Lens Showerlight**



Height: 5-1/2" [140mm]  
Outside Diameter: 6-3/8" [162mm]



## ORDERING INFORMATION

Trim	Finish	Accessories
<input type="text"/>	<input type="text"/>	<input type="text"/>
5051 = 5" Frosted glass lens trim	PS = White trim ring with frosted glass lens	OT500P = 5" Oversize trim ring - white