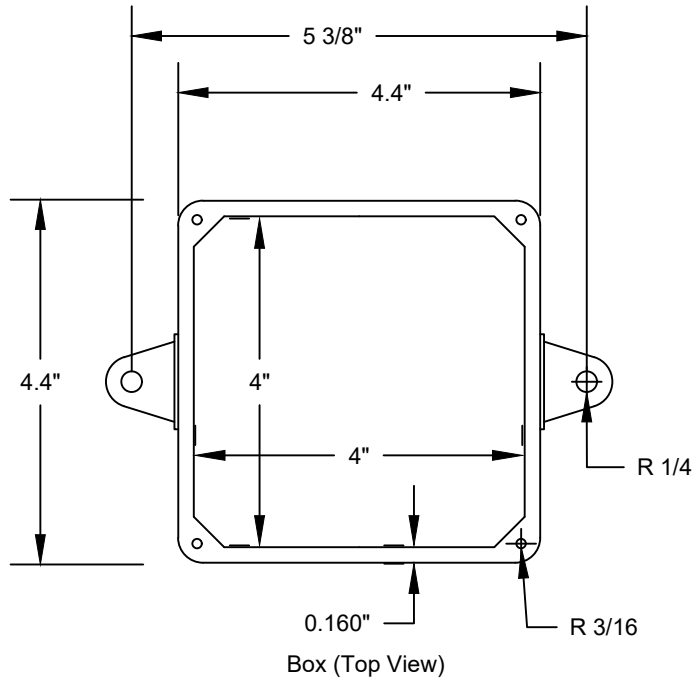
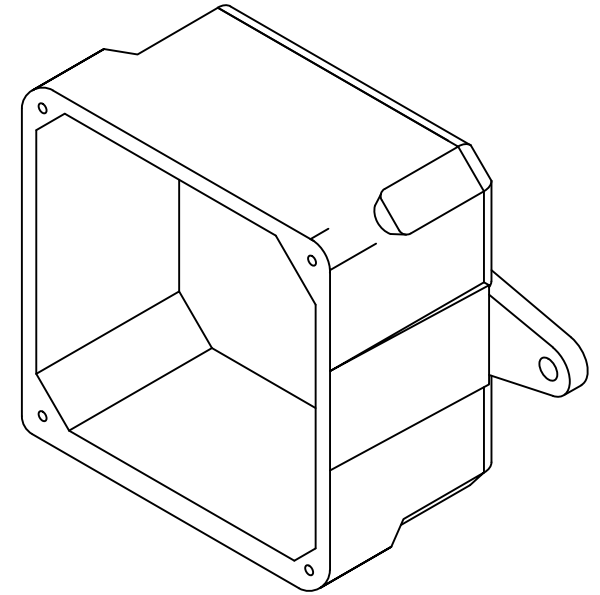
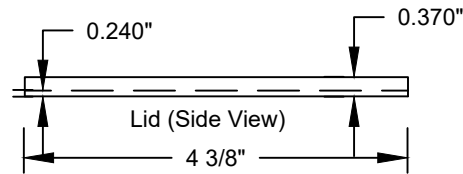


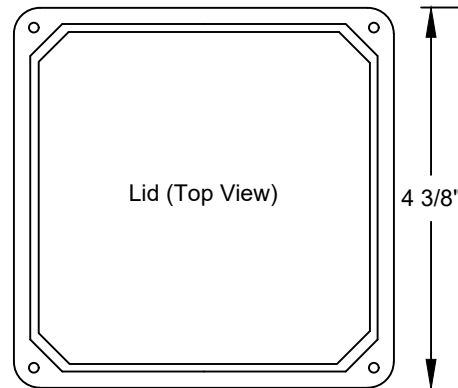
Box (Side View)



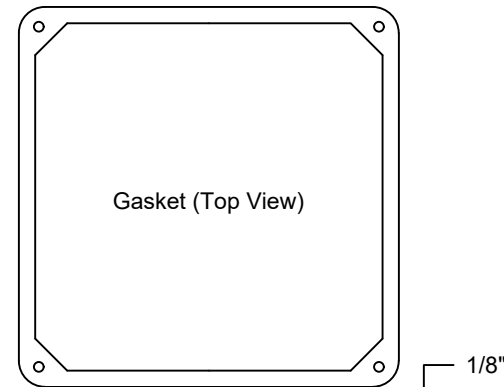
Box (Top View)



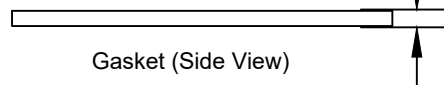
Lid (Side View)



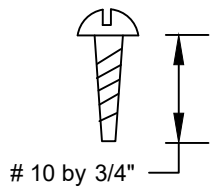
Lid (Top View)



Gasket (Top View)




Gasket (Side View)



10 by 3/4"

UL Listed
 Marine Listed
 UL File # E205935 (QCUP)
 UL Control # 92CM
 Material is Rigid PVC
 61.9 cu in Volume (1015 cu cm)
 Screws are Zinc Plated Steel
 Gasket is neoprene

 CANTEX INC. Fort Worth, TEXAS		
<h2>Junction Box 4 x 4 x 4</h2>		
Drawn By: D. Gwinn	Date: 10/16/20	5133709