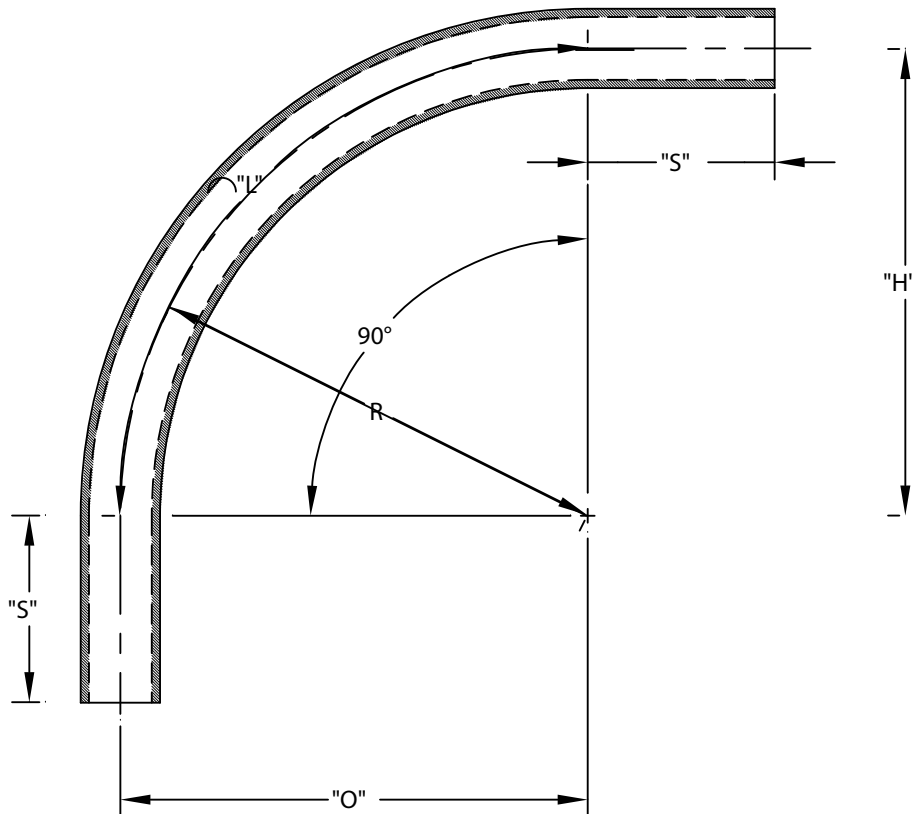


PART NUMBER	SIZE	"R"	"O"	"H"	"S" MIN	"B" MIN	"L"
5133949	¾"	36"	36"	36"	1 ½"	N/A	56 ½"
5133852	1"	36"	36"	36"	1 ⅞"	N/A	56 ½"
5133884	1 ¼"	36"	36"	36"	2"	N/A	56 ½"
5133866	1 ½"	36"	36"	36"	2"	N/A	56 ½"
5133848	2"	36"	36"	36"	2"	N/A	56 ½"
5133857	2 ½"	36"	36"	36"	3"	N/A	56 ½"
5133820	3"	36"	36"	36"	3 ⅛"	N/A	56 ½"
5133818	3 ½"	36"	36"	36"	3 ¼"	N/A	56 ½"
5133821	4"	36"	36"	36"	3 ⅜"	N/A	56 ½"
5133841	5"	36"	36"	36"	3 ⅝"	N/A	56 ½"
5133877	6"	36"	36"	36"	3 ¾"	N/A	56 ½"



ETL LISTED  
 CONFORMS TO UL651  
 ETL CONTROL #3107144  
 CONFORMS TO NEMA TC3  
 SEE NEC ARTICLE 352 FOR USE  
 MATERIAL IS RIGID PVC  
 BEND TOLERANCE IS ±2°



**CANTEX**  
 INC.  
 Fort Worth, TEXAS

90° Elbows Plain End  
 Schedule 40 36" Radius Elbows

Drawn By: CD Branch

Date: 10/15/07

Ref.