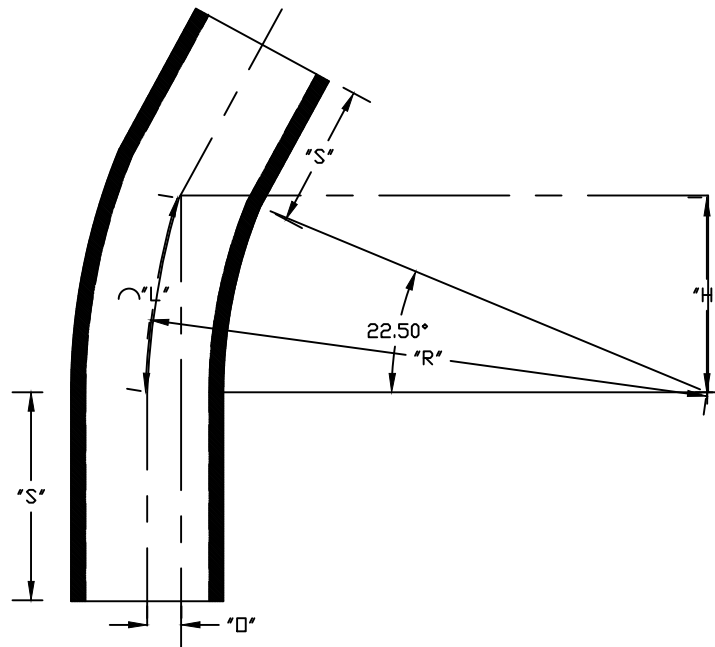


PART NUMBER	SIZE	"R"	"O"	"H"	"S" MIN	"B" MIN	"L"
5136420	1"	24"	1 13/16"	9 3/16"	1 7/8"	N/A	9 7/16"
5136425	1 1/4"	24"	1 13/16"	9 3/16"	2"	N/A	9 7/16"
5136428	1 1/2"	24"	1 13/16"	9 3/16"	2"	N/A	9 7/16"
5133915	2"	24"	1 13/16"	9 3/16"	2"	N/A	9 7/16"
5134019	2 1/2"	24"	1 13/16"	9 3/16"	3"	N/A	9 7/16"
5133903	3"	24"	1 13/16"	9 3/16"	3 1/8"	N/A	9 7/16"
5133902	3 1/2"	24"	1 13/16"	9 3/16"	3 1/4"	N/A	9 7/16"
5133869	4"	24"	1 13/16"	9 3/16"	3 3/8"	N/A	9 7/16"



ETL LISTED  
 CONFORMS TO UL651  
 ETL CONTROL #3107144  
 CONFORMS TO NEMA TC3  
 SEE NEC ARTICLE 352 FOR USE  
 MATERIAL IS RIGID PVC  
 BEND TOLERANCE IS ±2°



**CANTEX**  
 INC.  
 Fort Worth, TEXAS

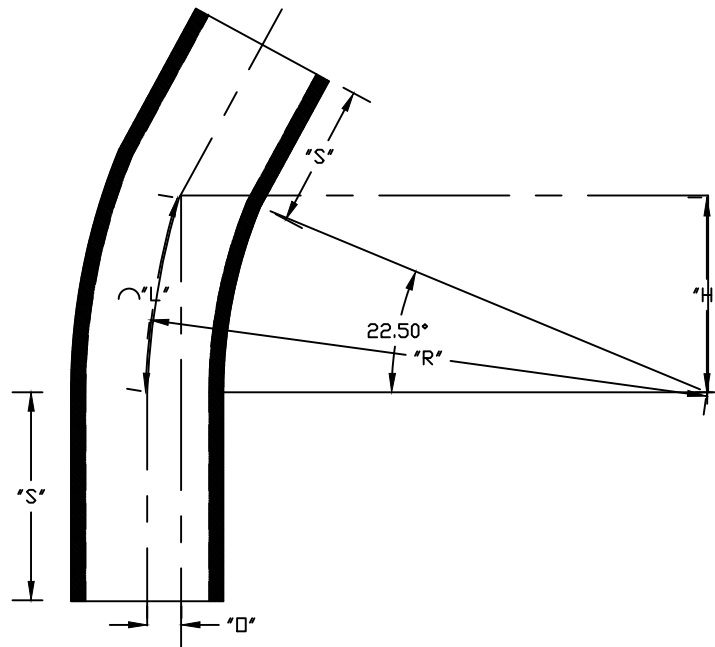
22-1/2° Elbows Plain End  
 Schedule 40 24" Radius Elbows

Drawn By: O.M.

Date: 5/12/17

Ref. 5136420

PART NUMBER	SIZE	"R"	"O"	"H"	"S" MIN	"B" MIN	"L"
5136420	1"	24"	1 13/16"	9 3/16"	1 7/8"	N/A	9 7/16"
5136425	1 1/4"	24"	1 13/16"	9 3/16"	2"	N/A	9 7/16"
5136428	1 1/2"	24"	1 13/16"	9 3/16"	2"	N/A	9 7/16"
5133915	2"	24"	1 13/16"	9 3/16"	2"	N/A	9 7/16"
5134019	2 1/2"	24"	1 13/16"	9 3/16"	3"	N/A	9 7/16"
5133903	3"	24"	1 13/16"	9 3/16"	3 1/8"	N/A	9 7/16"
5133902	3 1/2"	24"	1 13/16"	9 3/16"	3 1/4"	N/A	9 7/16"
5133869	4"	24"	1 13/16"	9 3/16"	3 3/8"	N/A	9 7/16"



ETL LISTED  
 CONFORMS TO UL651  
 ETL CONTROL #3107144  
 CONFORMS TO NEMA TC3  
 SEE NEC ARTICLE 352 FOR USE  
 MATERIAL IS RIGID PVC  
 BEND TOLERANCE IS ±2°



**CANTEX**  
 INC.  
 Fort Worth, TEXAS

22-1/2° Elbows Plain End  
 Schedule 40 24" Radius Elbows

Drawn By: O.M.

Date: 5/12/17

Ref. 5136420