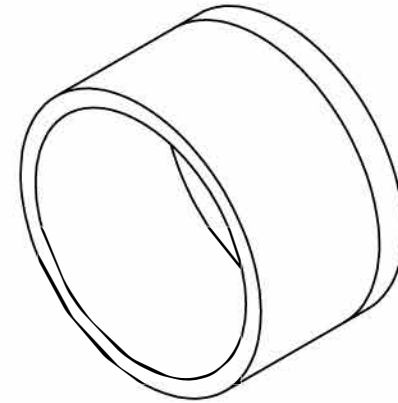
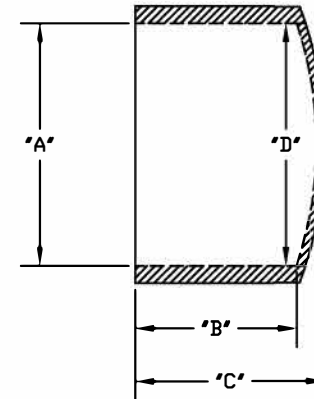
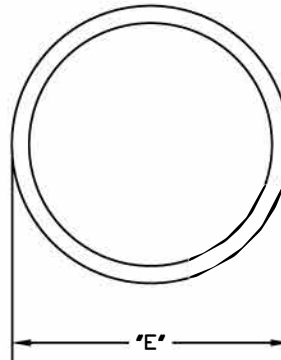


PART NUMBER	SIZE	"A"	"B"	"C"	"D"	"E"
5140031	½"	⅞"	⅞"	1"	13/16"	1"
5140032	¾"	1 ⅛"	1 ⅛"	1 ¼"	1 1/16"	1 ⅝"
5140033	1"	1 ⅜"	1 ¼"	1 ½"	1 5/16"	1 ⅞"
5140034	1 ¼"	1 ⅞"	1 ⅝"	1 ½"	1 5/8"	2"
5140035	1 ½"	1 15/16"	1 ¾"	1 ⅝"	1 7/8"	2 ¼"
5140037	2"	2 ⅜"	1 ⅝"	1 ¾"	2 3/8"	2 ¾"
5140038	2 ½"	2 ⅞"	2"	2 ⅛"	2 7/8"	3 ⅞"
5140039	3"	3 ⅞"	2 ⅜"	2 ¼"	3 1/2"	4"
5140036	3 ½"	4"	2 ⅝"	2 ⅜"	4"	4 ⅝"
5140040	4"	4 ½"	2 ⅜"	2 ⅝"	4 1/2"	5"
5140041	5"	5 ⅞"	2 ½"	2 ½"	5 9/16"	6 ⅛"
5140042	6"	6 ⅝"	3"	3 ⅜"	6 5/8"	7 ¼"



½" through 4" have dome top
5" and 6" have flat top

UL Listed
UL File # E81590
UL Category Code DWTT
UL Control Number 93G7
Material is Rigid PVC
Meets NEMA TC3 Requirements



CANTEX
INC.
Fort Worth, TEXAS

Caps
Schedule 40 & 80 Special Fittings

Drawn By: O.M.

Date: 5/15/17

Ref. 5140031