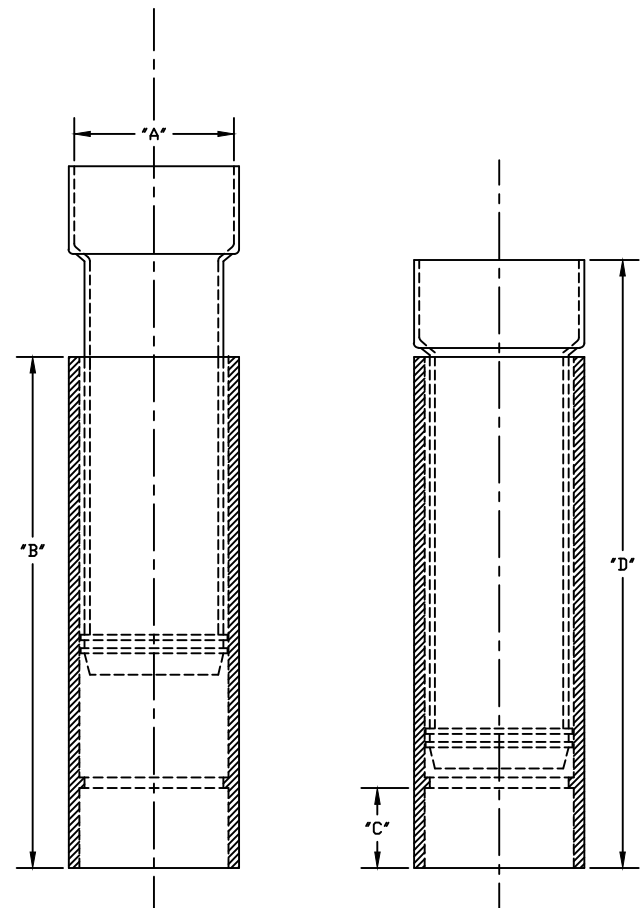
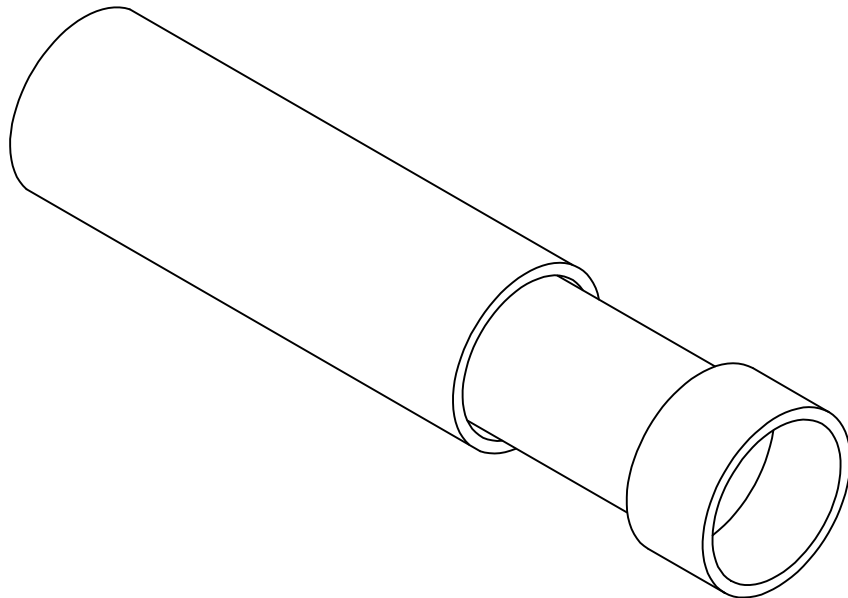


PART NUMBER	SIZE	"A"	"B"	"C"	"D"
5144031	1/2	7/8"	7"	1 1/16"	8 1/8"
5144032	3/4	1 1/16"	7"	7/8"	8 1/8"
5144033	1	1 5/16"	7 1/16"	1"	8 3/8"
5144034	1 1/4	1 1 1/16"	7 5/8"	1"	9"
5144035	1 1/2	1 15/16"	7 9/16"	1 1/8"	9"
5144036	2	2 3/8"	7 1 1/16"	1 3/16"	9 1/4"
5144037*	2 1/2	2 7/8"	1'	1 7/8"	1' 2 15/16"
5144038	3	3 1/2"	1'	1 7/8"	1' 2 5/16"
5144039*	3 1/2	4"	1' 3/8"	2"	1' 2 7/8"
5144040	4	4 1/2"	1' 5/16"	2 1/8"	1' 2 7/8"
5144041*	5	5 9/16"	1' 7 1/4"	2 15/16"	2'
5144042*	6	6 5/8"	1' 8 13/16"	3"	2' 2 3/8"

Sizes 5" and 6" are fabricated

\* Not UL Listed



UL Listed  
 Material is Rigid PVC  
 See NEC Article 352.44 for use  
 Seal is water-tight  
 Meets NEMA TC-3 Requirements

1/2" Through 2"  
 Maximum Expansion 4"

2 1/2" Through 6"  
 Maximum Expansion 8"



**CANTEX**  
 INC.  
 Fort Worth, TEXAS

Expansion Couplings Two Piece  
 Schedule 40 & 80 Special Fittings

Drawn By: O.M.

Date: 5/15/17

Ref. 5144031