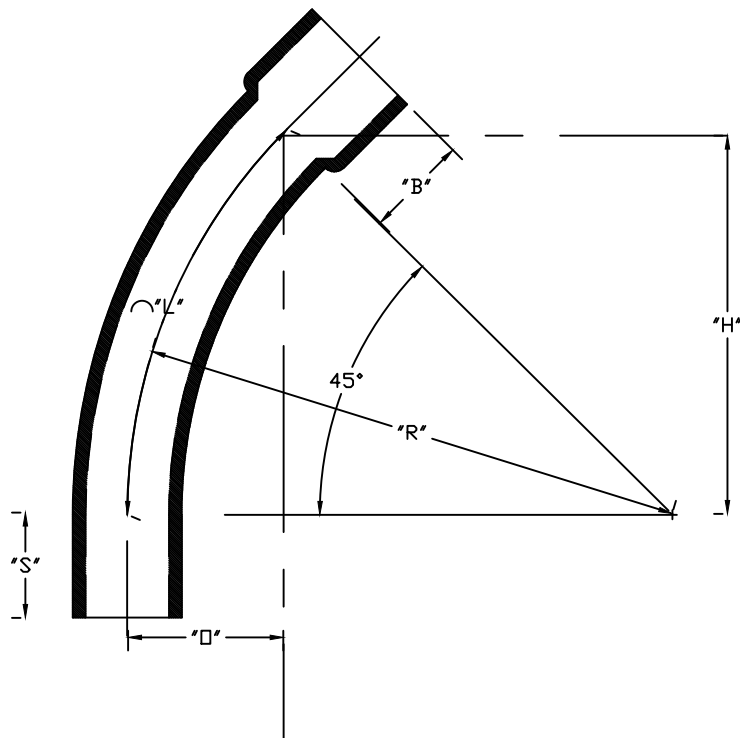


PART NUMBER	SIZE	"R"	"O"	"H"	"S" MIN	"B" MIN	"L"
5233919	1"	36"	10 1/2"	25 7/16"	1 7/8"	7/8"	28 1/4"
5233956	1 1/4"	36"	10 1/2"	25 7/16"	2"	1"	28 1/4"
5234083	1 1/2"	36"	10 1/2"	25 7/16"	2"	1 1/8"	28 1/4"
5233778	2"	36"	10 1/2"	25 7/16"	2"	1 1/8"	28 1/4"
5233801	2 1/2"	36"	10 1/2"	25 7/16"	3"	1 1/2"	28 1/4"
5233779	3"	36"	10 1/2"	25 7/16"	3 1/8"	1 5/8"	28 1/4"
5233939	3 1/2"	36"	10 1/2"	25 7/16"	3 1/4"	1 11/16"	28 1/4"
5233777	4"	36"	10 1/2"	25 7/16"	3 3/8"	1 3/4"	28 1/4"
5233780	5"	36"	10 1/2"	25 7/16"	3 5/8"	2"	28 1/4"
5133894	6"	36"	10 1/2"	25 7/16"	3 3/4"	2 1/8"	28 1/4"

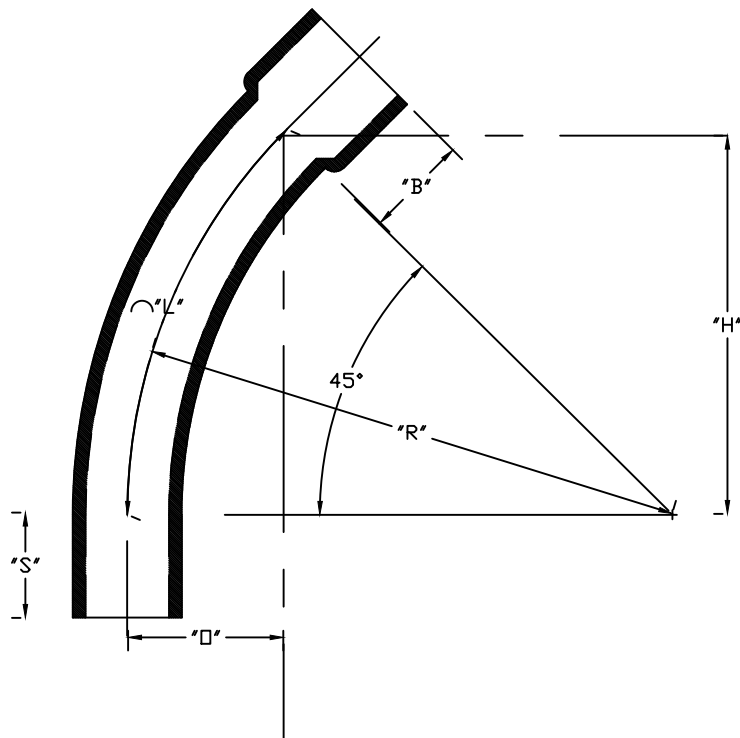


ETL LISTED
 CONFORMS TO UL651
 ETL CONTROL #3107144
 CONFORMS TO NEMA TC3
 SEE NEC ARTICLE 352 FOR USE
 MATERIAL IS RIGID PVC
 BEND TOLERANCE IS ±2°



CANTEX INC. Fort Worth, TEXAS		
45° Elbows Bell End Schedule 40 36" Radius Elbows		
Drawn By: O.M.	Date: 6/16/17	Ref. 5233919

PART NUMBER	SIZE	"R"	"O"	"H"	"S" MIN	"B" MIN	"L"
5233919	1"	36"	10 1/2"	25 7/16"	1 7/8"	7/8"	28 1/4"
5233956	1 1/4"	36"	10 1/2"	25 7/16"	2"	1"	28 1/4"
5234083	1 1/2"	36"	10 1/2"	25 7/16"	2"	1 1/8"	28 1/4"
5233778	2"	36"	10 1/2"	25 7/16"	2"	1 1/8"	28 1/4"
5233801	2 1/2"	36"	10 1/2"	25 7/16"	3"	1 1/2"	28 1/4"
5233779	3"	36"	10 1/2"	25 7/16"	3 1/8"	1 5/8"	28 1/4"
5233939	3 1/2"	36"	10 1/2"	25 7/16"	3 1/4"	1 11/16"	28 1/4"
5233777	4"	36"	10 1/2"	25 7/16"	3 3/8"	1 3/4"	28 1/4"
5233780	5"	36"	10 1/2"	25 7/16"	3 5/8"	2"	28 1/4"
5133894	6"	36"	10 1/2"	25 7/16"	3 3/4"	2 1/8"	28 1/4"



ETL LISTED
 CONFORMS TO UL651
 ETL CONTROL #3107144
 CONFORMS TO NEMA TC3
 SEE NEC ARTICLE 352 FOR USE
 MATERIAL IS RIGID PVC
 BEND TOLERANCE IS ±2°



CANTEX INC. Fort Worth, TEXAS		
45° Elbows Bell End Schedule 40 36" Radius Elbows		
Drawn By: O.M.	Date: 6/16/17	Ref. 5233919