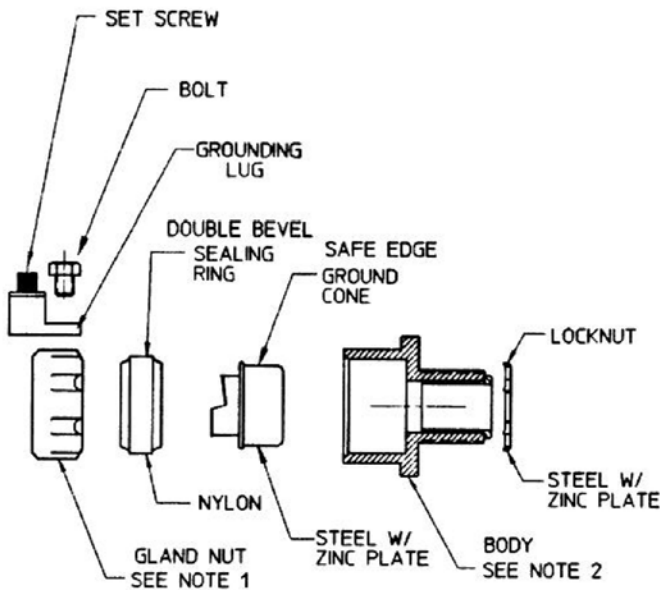




# T&B Liquidtight Fittings



## STYLE 1

### (GROUNDING LUG)

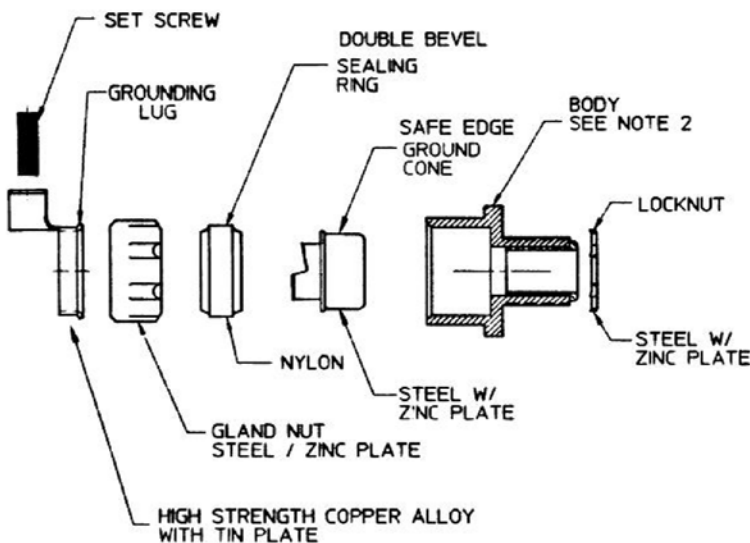
STRAIGHT TYPE – SHEET 2

45° TYPE – SHEET 3

90° TYPE – SHEET 4

STRAIGHT CHASE TYPE – SHEET 5

ADAPTER TYPE – SHEET 6



## STYLE 2

### (REVOLVER® GROUNDING RING)

STRAIGHT TYPE – SHEET 7


45° TYPE – SHEET 8

90° TYPE – SHEET 9

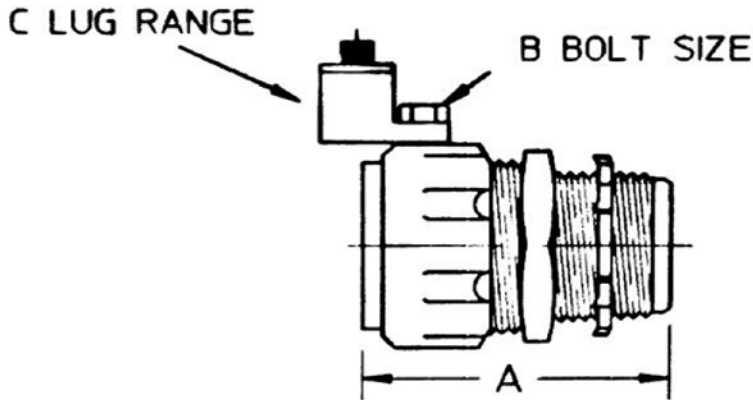
ADAPTER TYPE – SHEET 10

### NOTES:

1. GLAND: TRADE SIZES 2-1/2" AND LARGER ARE MALLEABLE IRON. ALL OTHERS ARE STEEL WITH ZINC PLATE.
2. BODY: 3/8" TO 1-1/4" STRAIGHT BODIES ARE STEEL WITH ZINC PLATE. ALL OTHERS ARE MALLEABLE IRON.

GENERAL NOTES		 A Member of the ABB Group			
1. ALL DIMENSIONS ARE FOR REFERENCE ONLY. 2. DIMENSIONS IN BRACKETS [ ] ARE IN METRIC UNITS.					
REVISIONS		DESCRIPTION: LIQUIDTIGHT FITTINGS EXTERNAL GROUNDING			
-- SEE ERN (****) FOR APPROVAL SIGNATURES & RELEASE DATE. PROJECT NO: ****		ORIGINAL PROJECT NO / ( ERN NO )	SHEET NO:	REV. NO:	DRAWING NO:
		RM401883 / ( 2015744 )	1 OF 10	--	WSD-001319

# STYLE 1 (GROUNDING LUG) STRAIGHT TYPE

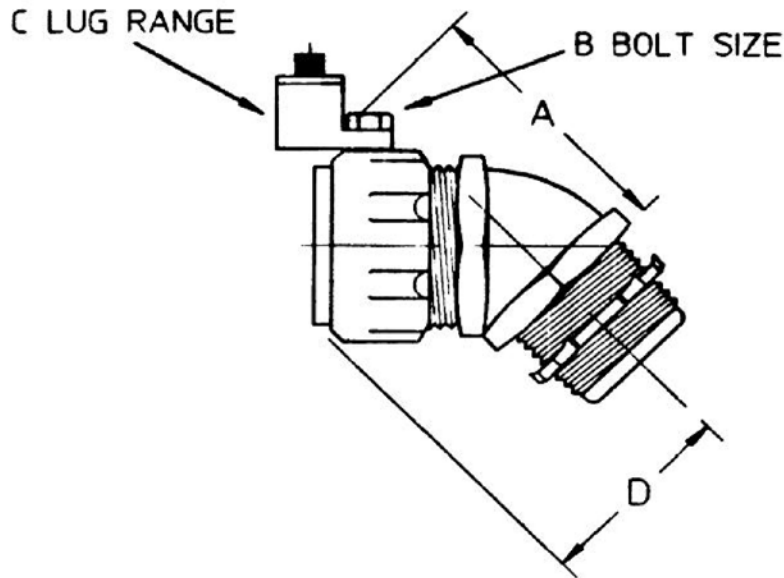


	CAT. #	STYLE	TRADE SIZE	A	B	C
INSULATED	5335GR	1	1-1/4	2-1/2	1/4-28	8-1/0
	5336GR	1	1-1/2	2-11/16	3/8-16	4-2/0
	5337GR	1	2	3-1/16	3/8-16	4-2/0
	5338GR	1	2-1/2	4-1/8	3/8-16	2-4/0
	5339GR	1	3	4-1/4	3/8-16	2-4/0
	5340GR	1	4	4-1/2	3/8-16	2-4/0
	5385GR	1	5	7	3/8-16	2-4/0
	5386GR	1	6	8	3/8-16	2-4/0
UNINSULATED	5235GR	1	1-1/4	2-1/2	1/4-28	8-1/0
	5236GR	1	1-1/2	2-11/16	3/8-16	4-2/0
	5237GR	1	2	3-1/16	3/8-16	4-2/0
	5238GR	1	2-1/2	4-1/8	3/8-16	2-4/0
	5239GR	1	3	4-1/4	3/8-16	2-4/0
	5240GR	1	4	4-1/2	3/8-16	2-4/0
	5285GR	1	5	7	3/8-16	2-4/0
	5286GR	1	6	8	3/8-16	2-4/0

<a href="http://www.tnb.com">www.tnb.com</a>	 A Member of the ABB Group		
DESCRIPTION:	<b>LIQUIDTIGHT FITTINGS EXTERNAL GROUNDING</b>		
SHEET NO: 2 OF 10	REV. NO: --	DRAWING NO: <b>WSD-001319</b>	

THIS DRAWING IS INTENDED FOR DESCRIPTIVE PURPOSES ONLY, AND THE RIGHT IS RESERVED TO DEVIATE FROM ANY OF THE DETAILS SHOWN HEREON. COPYRIGHT THOMAS & BETTS CORPORATION. ALL RIGHTS RESERVED. PROPRIETARY AND CONFIDENTIAL.

# STYLE 1 (GROUNDING LUG) 45° TYPE

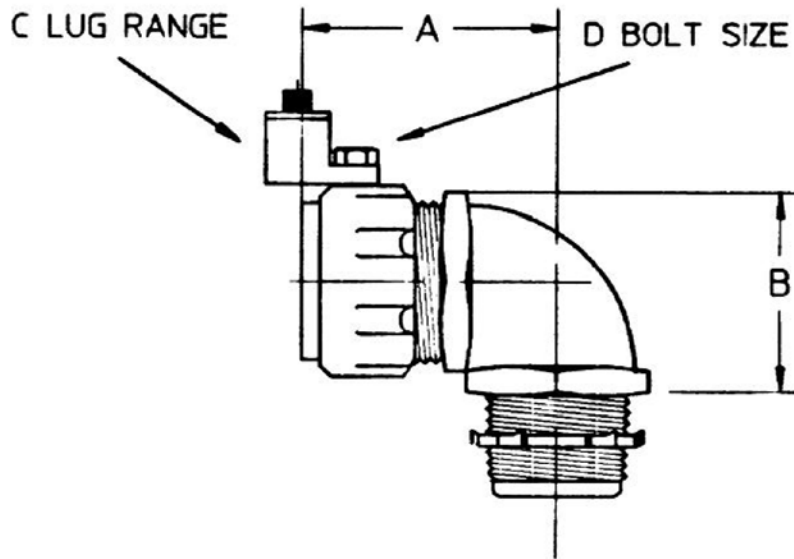


	CAT. #	STYLE	TRADE SIZE	A	B	C	D
INSULATED	5345GR	1	1-1/4	2-3/4	1/4-28	8-1/0	2
	5346GR	1	1-1/2	3-3/8	3/8-16	4-2/0	2-5/8
	5347GR	1	2	3-7/8	3/8-16	4-2/0	3-1/8
	5348GR	1	2-1/2	4-1/4	3/8-16	2-4/0	3-3/4
	5349GR	1	3	4-1/4	3/8-16	2-4/0	4-1/2
	5350GR	1	4	4-5/8	3/8-16	2-4/0	-----
UNINSULATED	5245GR	1	1-1/4	2-3/4	1/4-28	8-1/0	2
	5246GR	1	1-1/2	3-3/8	3/8-16	4-2/0	2-5/8
	5247GR	1	2	3-7/8	3/8-16	4-2/0	3-1/8
	5248GR	1	2-1/2	4-1/4	3/8-16	2-4/0	3-3/4
	5249GR	1	3	4-1/4	3/8-16	2-4/0	4-1/2
	5250GR	1	4	4-5/8	3/8-16	2-4/0	-----

<b>Thomas &amp; Betts</b> A Member of the ABB Group	
www.tnb.com	
DESCRIPTION: LIQUIDTIGHT FITTINGS EXTERNAL GROUNDING	
SHEET NO: 3 OF 10	REV. NO: --
DRAWING NO: WSD-001319	

# STYLE 1 (GROUNDING LUG)

## 90° TYPE

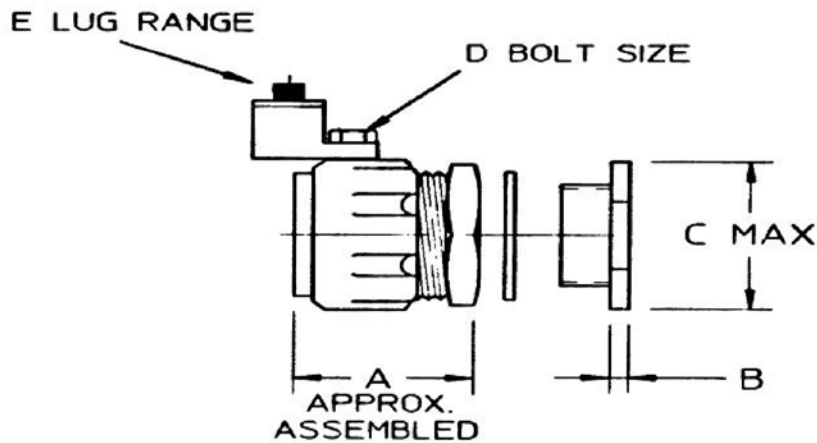


	CAT. #	STYLE	TRADE SIZE	A	B	C	D
INSULATED	5355GR	1	1-1/4	2-3/4	2-1/2	8-1/0	1/4-28
	5356GR	1	1-1/2	2-5/16	2-3/4	4-2/0	3/8-16
	5357GR	1	2	3-7/16	3-3/8	4-2/0	3/8-16
	5358GR	1	2-1/2	8-7/8	-----	2-4/0	3/8-16
	5359GR	1	3	10-1/4	-----	2-4/0	3/8-16
	5360GR	1	4	12-5/8	-----	2-4/0	3/8-16
UNINSULATED	5255GR	1	1-1/4	2-3/4	2-1/2	8-1/0	1/4-28
	5256GR	1	1-1/2	2-5/16	2-3/4	4-2/0	3/8-16
	5257GR	1	2	3-7/16	3-3/8	4-2/0	3/8-16
	5258GR	1	2-1/2	8-7/8	-----	2-4/0	3/8-16
	5259GR	1	3	10-1/4	-----	2-4/0	3/8-16
	5260GR	1	4	12-5/8	-----	2-4/0	3/8-16

<b>Thomas &amp; Betts</b>	
A Member of the ABB Group	
<a href="http://www.tnb.com">www.tnb.com</a>	
DESCRIPTION: LIQUIDTIGHT FITTINGS EXTERNAL GROUNDING	
SHEET NO: 4 OF 10	REV. NO: --
DRAWING NO: WSD-001319	

THIS DRAWING IS INTENDED FOR DESCRIPTIVE PURPOSES ONLY, AND THE RIGHT IS RESERVED TO DEVIATE FROM ANY OF THE DETAILS SHOWN HEREON. COPYRIGHT THOMAS & BETTS CORPORATION. ALL RIGHTS RESERVED. PROPRIETARY AND CONFIDENTIAL.

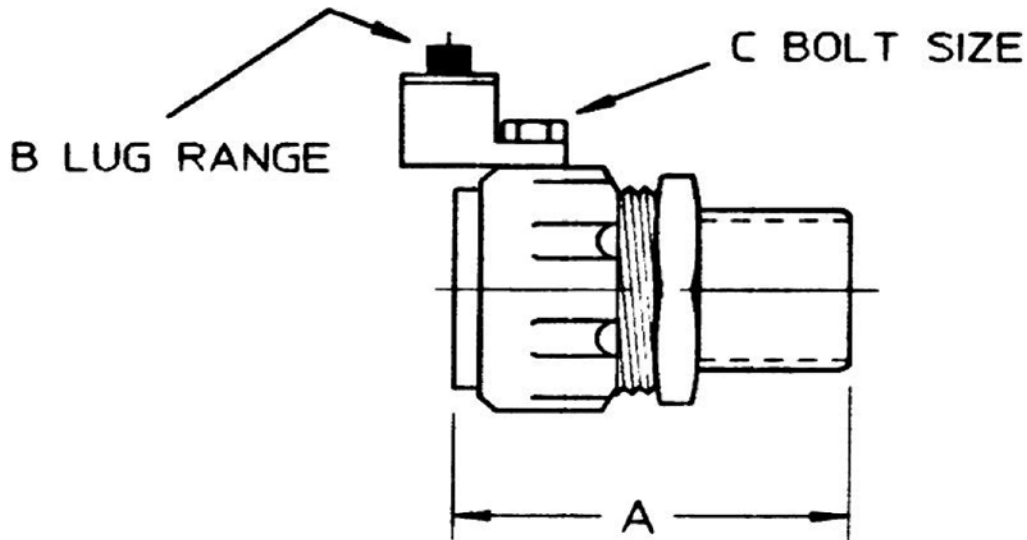
# STYLE 1 (GROUNDING LUG) STRAIGHT CHASE TYPE



	CAT. #	STYLE	TRADE SIZE	A	B	C	D	E
INSULATED	035-72887-1	1	1-1/2	2-3/4	3/8	2-15/16	3/8-16	4-2/0
	035-72887-2	1	2	3	3/8	3-9/16	3/8-16	4-2/0
	035-72887-3	1	2-1/2	3-15/16	7/16	4-3/8	3/8-16	2-4/0
	035-72887-4	1	3	4-1/8	1/2	5-1/8	3/8-16	2-4/0
	035-72887-5	1	4	4-3/8	1/2	5-1/8	3/8-16	2-4/0

<b>Thomas &amp; Betts</b> A Member of the ABB Group	
www.tnb.com	
DESCRIPTION: LIQUIDTIGHT FITTINGS EXTERNAL GROUNDING	
SHEET NO: 5 OF 10	REV. NO: --
DRAWING NO: WSD-001319	

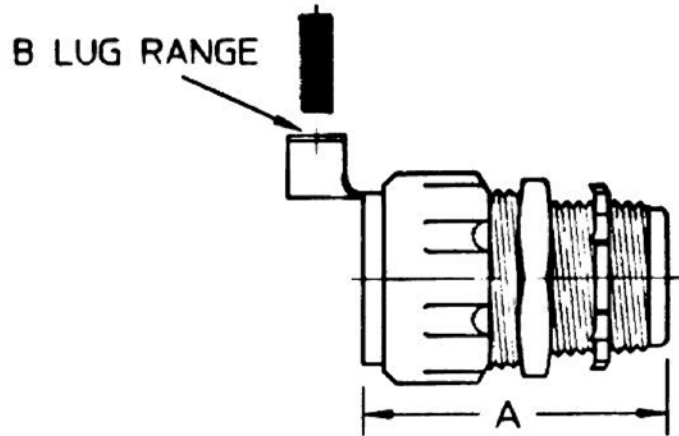
# STYLE 1 (GROUNDING LUG) ADAPTER TYPE



CAT. #	STYLE	TRADE SIZE	A	B	C
5275GR	1	1-1/4	2-1/4	8-1/0	1/4-28
5276GR	1	1-1/2	2-3/4	4-2/0	3/8-16
5277GR	1	2	3-15/32	4-2/0	3/8-16
5278GR	1	2-1/2	4-3/32	2-4/0	3/8-16
5279GR	1	3	4-3/4	2-4/0	3/8-16
5282GR	1	4	6	2-4/0	3/8-16

<b>Thomas &amp; Betts</b> A Member of the ABB Group	
<a href="http://www.tnb.com">www.tnb.com</a>	
DESCRIPTION: LIQUIDTIGHT FITTINGS EXTERNAL GROUNDING	
SHEET NO: 6 OF 10	REV. NO: --
DRAWING NO: WSD-001319	

# STYLE 2 (REVOLVER® GROUNDING RING) STRAIGHT TYPE

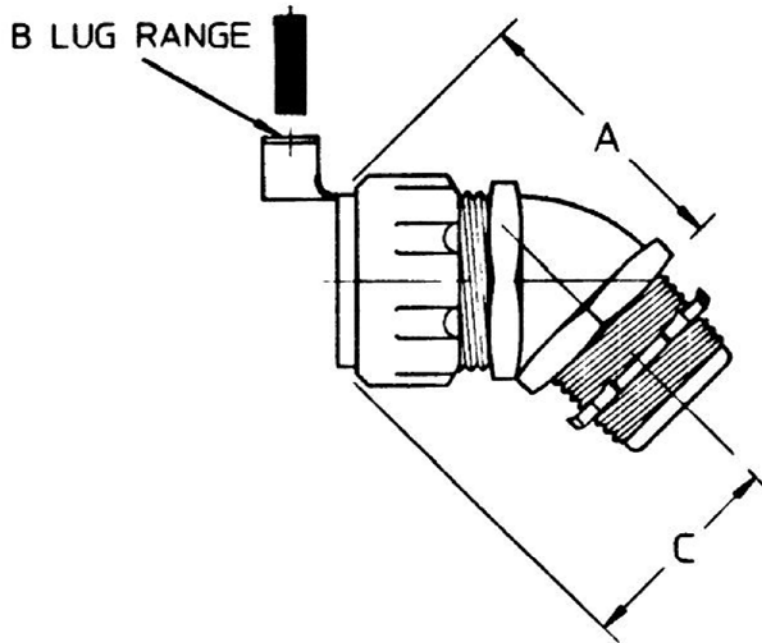


	CAT #	STYLE	TRADE SIZE	A	B
INSULATED	5331GR	2	3/8	1-1/2	14/4
	5332GR	2	1/2	1-9/16	14/4
	5333GR	2	3/4	1-5/8	14/4
	5334GR	2	1	2-1/16	14/4
UNINSULATED	5231GR	2	3/8	1-1/2	14/4
	5232GR	2	1/2	1-9/16	14/4
	5233GR	2	3/4	1-5/8	14/4
	5234GR	2	1	2-1/16	14/4
	5231ALGR	2	3/8	1-1/2	14/4
	5232ALGR	2	1/2	1-9/16	14/4
	5233ALGR	2	3/4	1-5/8	14/4
	5234ALGR	2	1	2-1/16	14/4

ADD SUFFIX "-DW6" TO CAT. NO.  
FOR TYPE 316 STN STL SET SCREW.

<b>Thomas &amp; Betts</b> A Member of the ABB Group	
<a href="http://www.tnb.com">www.tnb.com</a>	
DESCRIPTION: LIQUIDTIGHT FITTINGS EXTERNAL GROUNDING	
SHEET NO: 7 OF 10	REV. NO: --
DRAWING NO: WSD-001319	

# STYLE 2 (REVOLVER® GROUNDING RING) 45° TYPE



	CAT. #	STYLE	TRADE SIZE	A	B	C
INSULATED	5341GR	2	3/8	1-9/16	14/4	1-1/16
	5342GR	2	1/2	1-7/8	14/4	1-3/8
	5343GR	2	3/4	2-1/8	14/4	1-3/16
	5344GR	2	1	2-1/4	14/4	1-3/4
UNINSULATED	5241GR	2	3/8	1-9/16	14/4	1-1/16
	5242GR	2	1/2	1-7/8	14/4	1-3/8
	5243GR	2	3/4	2-1/8	14/4	1-3/16
	5244GR	2	1	2-1/4	14/4	1-3/4

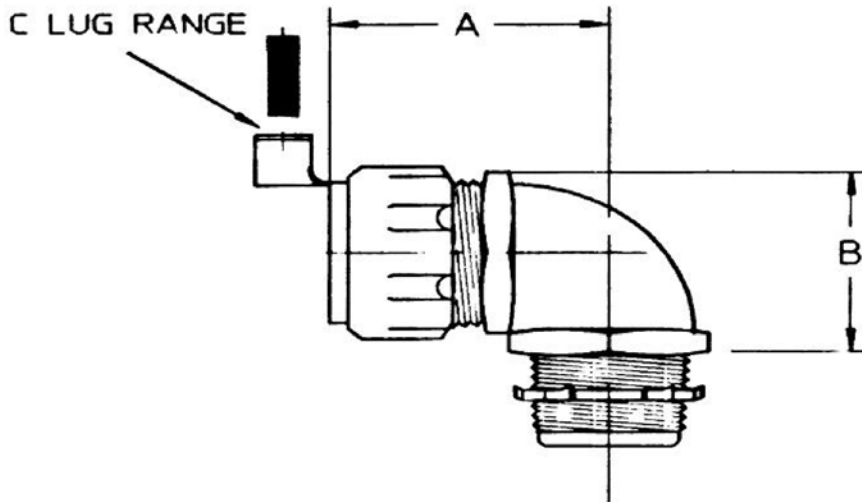
ADD SUFFIX "-DW6" TO CAT. NO.  
FOR TYPE 316 STN STL SET SCREW.

<b>Thomas &amp; Betts</b> A Member of the ABB Group	
www.tnb.com	
DESCRIPTION: LIQUIDTIGHT FITTINGS EXTERNAL GROUNDING	
SHEET NO: 8 OF 10	REV. NO: --
DRAWING NO: <b>WSD-001319</b>	



# STYLE 2 (REVOLVER® GROUNDING RING)

## 90° TYPE

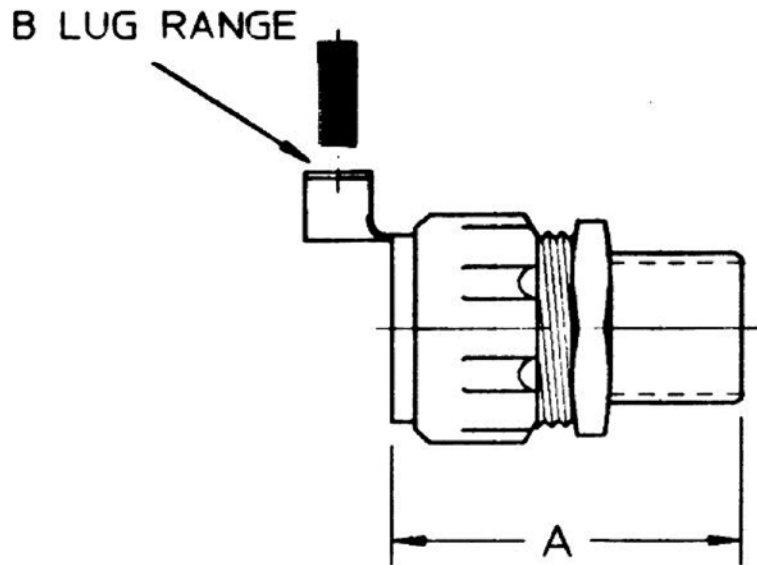


	CAT. #	STYLE	TRADE SIZE	A	B	C
INSULATED	5351GR	2	3/8	1-3/8	1-1/4	14/4
	5352GR	2	1/2	1-9/16	1-7/16	14/4
	5353GR	2	3/4	1-3/4	1-13/16	14/4
	5354GR	2	1	2-3/16	2-1/16	14/4
UNINSULATED	5251GR	2	3/8	1-3/8	1-1/4	14/4
	5252GR	2	1/2	1-9/16	1-7/16	14/4
	5253GR	2	3/4	1-3/4	1-13/16	14/4
	5254GR	2	1	2-3/16	2-1/16	14/4
	5251ALGR	2	3/8	1-3/8	1-1/4	14/4
	5252ALGR	2	1/2	1-9/16	1-7/16	14/4
	5253ALGR	2	3/4	1-3/4	1-13/16	14/4
	5254ALGR	2	1	2-3/16	2-1/16	14/4

ADD SUFFIX "-DW6" TO CAT. NO.  
FOR TYPE 316 STN STL SET SCREW.

<b>Thomas &amp; Betts</b>	
A Member of the ABB Group	
<a href="http://www.tnb.com">www.tnb.com</a>	
DESCRIPTION: LIQUIDTIGHT FITTINGS EXTERNAL GROUNDING	
SHEET NO: 9 OF 10	REV. NO: --
DRAWING NO: WSD-001319	

# STYLE 2 (REVOLVER® GROUNDING RING) ADAPTER TYPE



CAT. #	STYLE	TRADE SIZE	A	B
5271GR	2	3/8	1-5/32	14/4
5272GR	2	1/2	1-3/8	14/4
5273GR	2	3/4	1-21/32	14/4
5274GR	2	1	1-7/8	14/4

<b>Thomas &amp; Betts</b> A Member of the ABB Group	
<a href="http://www.tnb.com">www.tnb.com</a>	
DESCRIPTION: LIQUIDTIGHT FITTINGS EXTERNAL GROUNDING	
SHEET NO: 10 OF 10	REV. NO: --
DRAWING NO: WSD-001319	