

Beacons

Rotating Halogen or Incandescent

52, 53 and 53D Series

Edwards 52, 53 and 53D Series rotating beacons are visual signals suitable for use in indoor or outdoor applications to provide maximum brilliance and long-term durability with minimum maintenance. The polycarbonate dome allows for easy cleaning.

The 52, 53 and 53D Series are ideal for use in high ambient noise applications, including security systems and factory/distribution facilities. The 53D Series is Diode Polarized for use in electrically supervised circuits.

Features and Specifications

- Halogen or Incandescent light source
- Light intensifying reflector
- Bayonet lamp socket for easy replacement
- Cast base can function as a junction box
- 1/2" NPT conduit or surface mounting
- For indoor applications, beacon may be mounted with lens pointing upward or downward
- For outdoor applications, lens should face up
- 52 Series must be conduit mounted for outdoor applications
- 53D is only suitable for indoor applications
- Designed for 4" octagonal box mounting
- Operating temperature range: -31°F to 150°F (-35°C to 66°C)



| Ordering Information | | | | | | | | | |
|----------------------|-------------|--------------------------------|---------|---------------------------|---------------------------|-------------------------|-------------|--|------------|
| Description | Cat. No. | Operating Voltage ¹ | Current | Lens Colors | Lamp Ratings | Revolution Rate | Replacement | | |
| | | | | | | | Lens | Lamp | |
| Halogen AC | 52A-G5-20WH | 24V AC | 0.80 A | Amber | 20 watts | 75 rpm | 52-LA | 50LMP-20WH or Industry Trade No. 1692 ^{4,5} | |
| | 52B-G5-20WH | 24V AC | 0.80 A | Blue | | 75 rpm | 52-LB | | |
| | 52C-G5-20WH | 24V AC | 0.80 A | Clear | 226 lumens ² | 75 rpm | 52-LC | | |
| | 52G-G5-20WH | 24V AC | 0.80 A | Green | 2839 cp | 75 rpm | 52-LG | | |
| | 52M-G5-20WH | 24V AC | 0.80 A | Magenta | 25,000 hours ³ | 75 rpm | 52-LM | | |
| | 52R-G5-20WH | 24V AC | 0.80 A | Red | 75 rpm | 52-LR | | | |
| | 52A-N5-40WH | 120V AC | 0.35 A | Amber | 40 watts | 75 rpm | 52-LA | | 50LMP-40WH |
| | 52B-N5-40WH | 120V AC | 0.35 A | Blue | | 75 rpm | 52-LB | | |
| | 52C-N5-40WH | 120V AC | 0.35 A | Clear | 265 lumens ² | 75 rpm | 52-LC | | |
| | 52G-N5-40WH | 120V AC | 0.35 A | Green | 3328 cp | 75 rpm | 52-LG | | |
| 52M-N5-40WH | 120V AC | 0.35 A | Magenta | 25,000 hours ³ | 75 rpm | 52-LM | | | |
| 52R-N5-40WH | 120V AC | 0.35 A | Red | 75 rpm | 52-LR | | | | |
| Incandescent AC | 52A-R5 | 240V AC | 0.10 A | Amber | 25 watts | 75 rpm | 52-LA | P-041917-0039 or Industry Trade No. 25T8/240V/DC/CL ⁵ | |
| | 52B-R5 | 240V AC | 0.10 A | Blue | | 75 rpm | 52-LB | | |
| | 52C-R5 | 240V AC | 0.10 A | Clear | 232 lumens ² | 75 rpm | 52-LC | | |
| | 52G-R5 | 240V AC | 0.10 A | Green | 2914 cp | 75 rpm | 52-LG | | |
| | 52M-R5 | 240V AC | 0.10 A | Magenta | 120 hours ³ | 75 rpm | 52-LM | | |
| Incandescent DC | 53A-E1 | 12V DC | 1.8 A | Amber | 25 watts | 75 rpm | 52-LA | Industry Trade No. 1076 ⁵ | |
| | 53B-E1 | 12V DC | 1.8 A | Blue | | 402 lumens ² | 75 rpm | | 52-LB |
| | 53C-E1 | 12V DC | 1.8 A | Clear | 5049 cp | 75 rpm | 52-LC | | |
| | 53G-E1 | 12V DC | 1.8 A | Green | 200 hours ³ | 75 rpm | 52-LG | | |
| | 53R-E1 | 12V DC | 1.8 A | Red | 75 rpm | 52-LR | | | |

¹AC voltage frequency is 50/60 Hz

²Bulb manufacturer's lumen rating

³Projected lamp life based on manufacturer's calculated lamp life at 65 rpm and 50% duty cycle.

⁴Incandescent lamp

⁵User supplied



Beacons

Rotating Halogen or Incandescent

52, 53 and 53D Series

| Ordering Information | | Continued | | | | | | |
|---------------------------------|----------|-------------------|---------|-------------|--|-----------------|-------------|--------------------------------------|
| Description | Cat. No. | Operating Voltage | Current | Lens Colors | Lamp Ratings | Revolution Rate | Replacement | |
| | | | | | | | Lens | Lamp |
| Incandescent DC (continued) | 53A-G1 | 24V DC | 1.0 A | Amber | 25 watts 402 lumens ¹ 5049 cp 500 hours ² | 75 rpm | 52-LA | Industry Trade No. 1638 ³ |
| | 53B-G1 | 24V DC | 1.0 A | Blue | | 75 rpm | 52-LB | |
| | 53C-G1 | 24V DC | 1.0 A | Clear | | 75 rpm | 52-LC | |
| | 53G-G1 | 24V DC | 1.0 A | Green | | 75 rpm | 52-LG | |
| | 53R-G1 | 24V DC | 1.0 A | Red | | 75 rpm | 52-LR | |
| Incandescent Diode Polarized DC | 53DA-GW | 24 - 28V DC | 1.0 A | Amber | 25 watts 402 lumens ¹ 5049 cp 500 hours ² | 75 rpm | 52-LA | Industry Trade No. 1638 ³ |
| | 53DB-GW | 24 - 28V DC | 1.0 A | Blue | | 75 rpm | 52-LB | |
| | 53DC-GW | 24 - 28V DC | 1.0 A | Clear | | 75 rpm | 52-LC | |
| | 53DG-GW | 24 - 28V DC | 1.0 A | Green | | 75 rpm | 52-GC | |
| | 53DR-GW | 24 - 28V DC | 1.0 A | Red | | 75 rpm | 52-LR | |

¹Bulb manufacturer's lumen rating

²Projected lamp life based on manufacturer's calculated lamp life at 65 rpm and 50% duty cycle.

³User supplied

| Accessories | |
|----------------------|----------|
| Description | Cat. No. |
| Corner Mount Bracket | CBR |
| Wall Mount Bracket | WBR |



CBR
Corner Mount Bracket

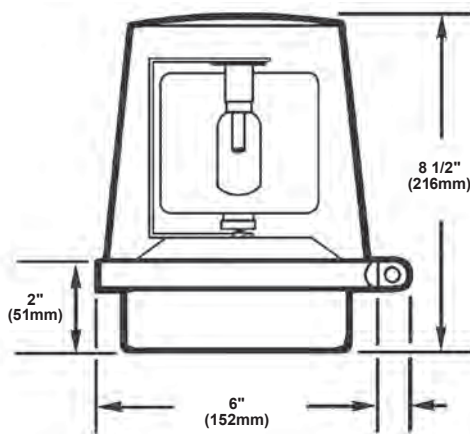


WBR
Wall Mount Bracket

| Weights and Dimensions | | |
|------------------------|--------------------------|-------------------------------|
| Cat. No. | Approx. Net Weight (lb.) | Approx. Shipping Weight (lb.) |
| 52*-G5-20WH | 1.88 | 2.21 |
| 52*-N5-40WH | 2.40 | 2.80 |
| 52*-R5 | 1.88 | 2.21 |
| 53†-E1 | 1.62 | 1.96 |
| 53†-G1 | 1.62 | 1.96 |
| 53D†-GW | 1.62 | 1.96 |
| CBR | 4.00 | 4.20 |
| WBR | 2.30 | 2.50 |

*Letter in this position designates lens color: A - amber, B - blue, C - clear, G - green, M - magenta or R - red

†Letter in this position designates lens color: A - amber, B - blue, C - clear, G - green or R - red



VISUAL SIGNALS 1