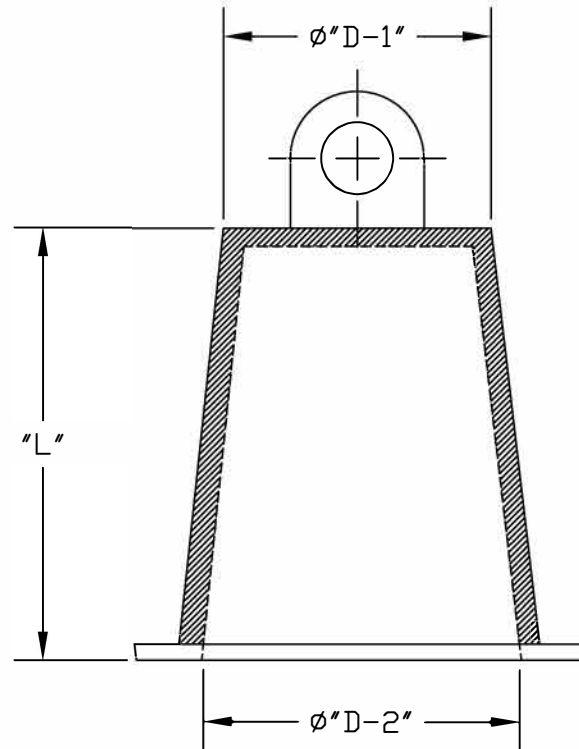
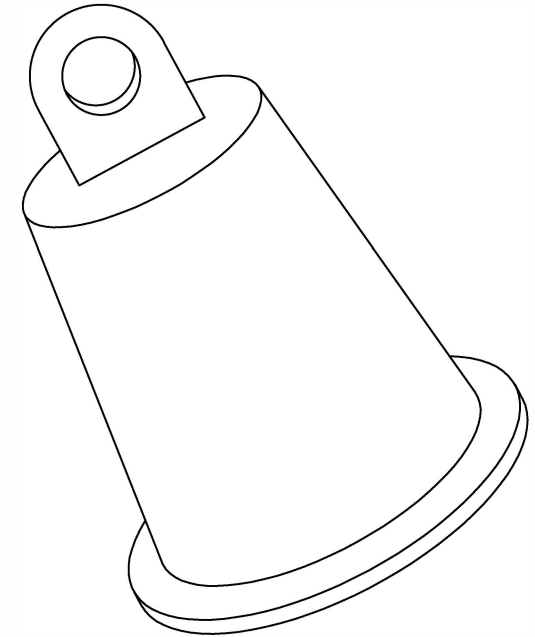


| PART NUMBER | SIZE | "L" | "D-1" | "D-2" |
|-------------|------|------|-------|-------|
| 5315258 | 2" | 3" | 2" | 2 ½" |
| 5315259 | 2 ½" | 3" | 2 ⅛" | 2 ¾" |
| 5315260 | 3" | 3 ¾" | 2 ⅞" | 3 ½" |
| 5315262 | 4" | 3 ⅞" | 3 ¾" | 4 ½" |
| 5315263 | 5" | 3 ¾" | 4 ⅞" | 5 ⅝" |
| 5315264 | 6" | 3 ⅞" | 5 ⅝" | 6 ⅞" |



MATERIAL - POLYETHYLENE

All dimensions are nominal and in inches

TOLERANCES

± 1/16

CANTEX

INC.

Fort Worth, TEXAS

Poly Plugs w/Pulling Eye
Schedule 40 & 80 Special Fittings

Drawn By: CD Branch

Date:03/05/18

Ref.