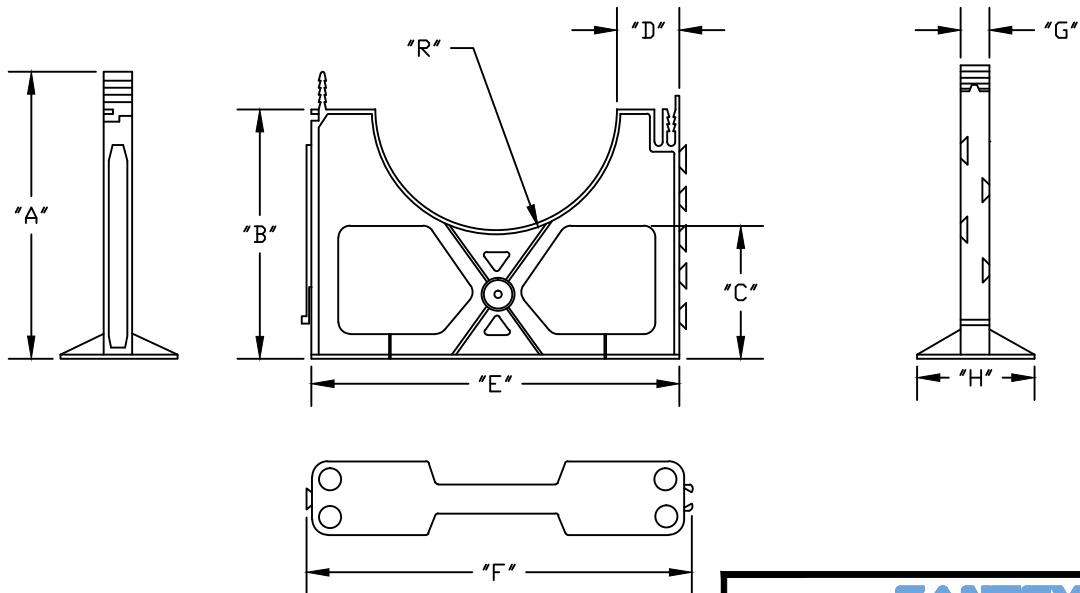


PART NUMBER	SIZE	"A"	"B"	"C"	"D"	"E"	"F"	"G"	"H"	"R"
5335971	4" X 1"	5 ¹⁵ / ₁₆ "	5 ¹ / ₄ "	3"	¹ / ₂ "	5 ⁵ / ₈ "	5 ⁷ / ₈ "	1"	3"	2 ⁵ / ₁₆ "
5335968	4" X 1 ¹ / ₂ "	5 ¹⁵ / ₁₆ "	5 ⁵ / ₁₆ "	3"	³ / ₄ "	6 ¹ / ₈ "	6 ³ / ₈ "	1"	3"	2 ⁵ / ₁₆ "
5335967	4" X 2"	5 ¹⁵ / ₁₆ "	5 ⁵ / ₁₆ "	3"	1"	6 ⁵ / ₈ "	6 ⁷ / ₈ "	1"	3"	2 ⁵ / ₁₆ "
5335969	4" X 3"	5 ¹⁵ / ₁₆ "	5 ¹ / ₄ "	3"	1 ¹ / ₂ "	7 ⁵ / ₈ "	7 ⁷ / ₈ "	1"	3"	2 ⁵ / ₁₆ "

Material is High Impact Polystyrene
Recommended spacing is 6 to 10 feet



Patents: US 7,828,251 B2 , US D556,030 S , US D558,559 S

CANTEX INC. Fort Worth, TEXAS		
4" Base Spacer Plastic Spacers for Duct		
Drawn By: CD Branch	Date: 02/19/08	Ref.