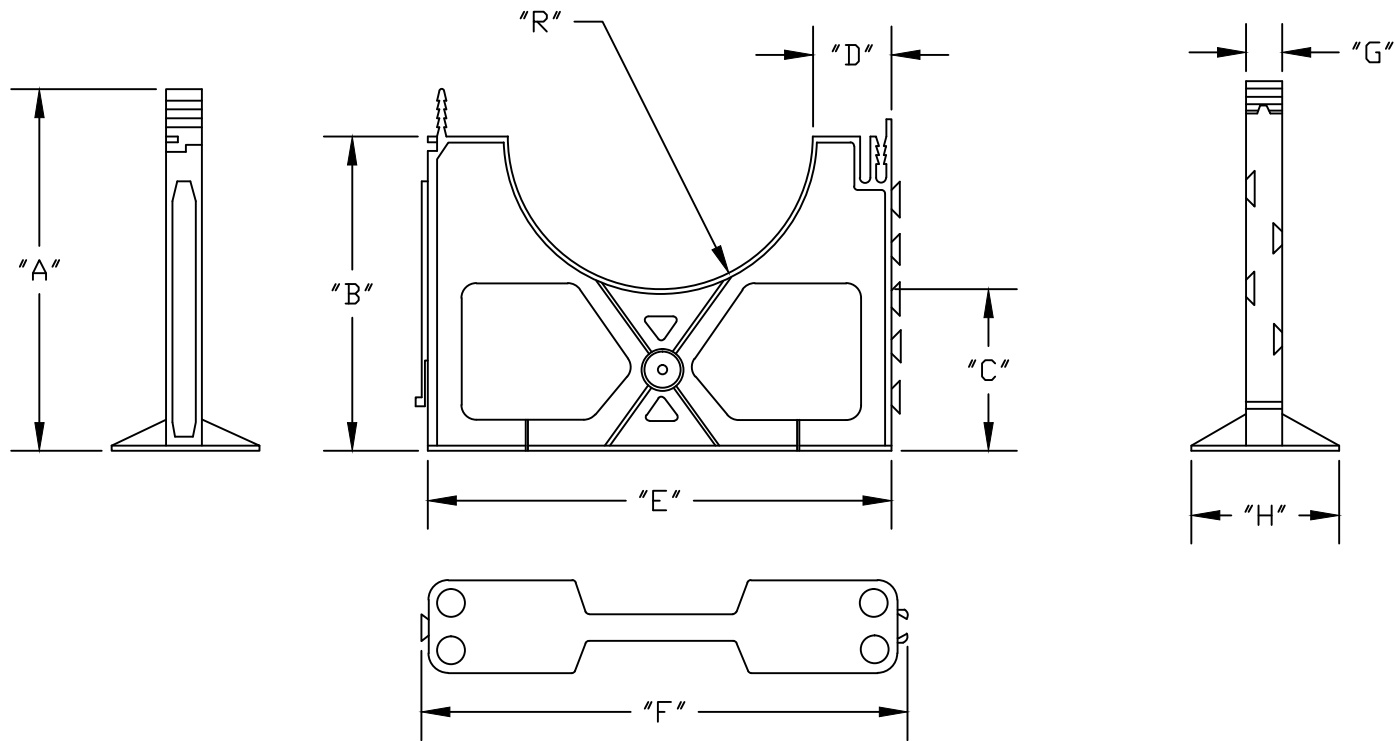


PART NUMBER	SIZE	"A"	"B"	"C"	"D"	"E"	"F"	"G"	"H"	"R"
5335980	5" X 1 1/2"	6 1/2"	5 13/16"	3"	3/4"	7 3/16"	7 7/16"	1"	3"	2 7/8"
5335976	5" X 2"	6 1/2"	5 13/16"	3"	1"	7 1/16"	7 15/16"	1"	3"	2 7/8"
5335978	5" X 3"	6 1/2"	5 13/16"	3"	1 1/2"	8 1/16"	8 15/16"	1"	3"	2 7/8"

Material is high impact polystyrene



Patents: US 7,828,251 B2 , US D556,030 S , US D558,559 S

CANTEX

INC.
Fort Worth, TEXAS

5" Base Spacer
Plastic Spacers for Duct

Drawn By: CD Branch

Date:02/28/08

Ref.