

Transformers

AC - Class 2

590 Series

Edwards 590 Series Class 2 Signaling Transformers are easy to install, low voltage power sources for residential, commercial, and industrial uses.

Mounts in a standard 1/2" (13mm) knockout or surface mounts using the provided foot mounts. These transformers are suitable for mounting in both plastic and metal back boxes. May also be used with the 593 transformer plate for enclosed mounting in a standard two gang outlet box.

The 591 transformer is suitable for standard doorbells and chimes in residential and commercial applications requiring 16 volts AC.

The Edwards 598, 598Y, 599 and 599Y transformers offer high power for long wire runs or for applications requiring greater power such as door openers.

Features and Specifications

- Non-regenerative thermal overload protection
- Grounding wire
- Pre-stripped primary side pigtails
- Screw terminal connections on secondary



Ordering Information		Secondary		
Description	Cat. No.	Primary Voltage ¹	Volts	VA
Class 2 Transformers	590	120V AC	10V AC	5
	590Y	240V AC	10V AC	5
	591	120V AC	16V AC	10
			8V AC	10
	592	120V AC	16V AC	10
			24V AC	20
			8V AC	10
	592Y	240V AC	16V AC	10
			24V AC	20
			6V AC	10
	596	120V AC	12V AC	15
			18V AC	15
			8V AC	20
	598	120V AC	16V AC	30
			24V AC	30
			8V AC	20
598Y	240V AC	16V AC	30	
		24V AC	30	
		24V AC	40	
599	120V AC	24V AC	40	
599Y	240V AC	24V AC	40	

¹AC voltage frequency is 50/60 Hz



Transformers

AC - Class 2

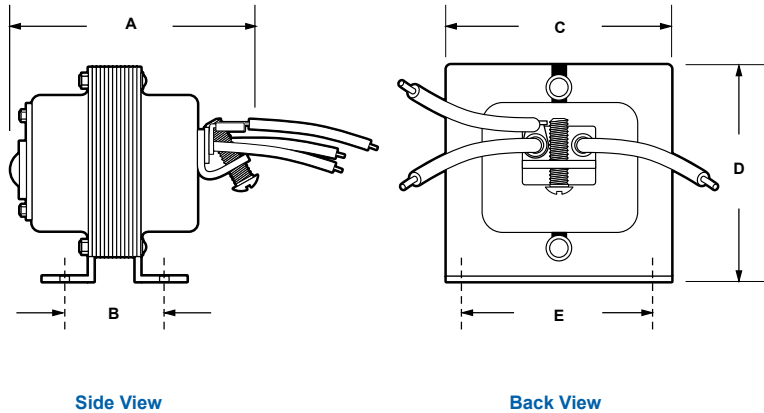
590 Series

Accessories

Description	Cat. No.
Transformer Mounting Plate	593

Weights and Dimensions

Cat. No.	Approx. Net Weight (lb.)	Approx. Shipping Weight (lb.)	Dimensions				
			A (in.)	B (in.)	C (in.)	D (in.)	E (in.)
590	0.32	0.70	2 5/16	3 1/32	2 1/4	2 1/8	2
590Y	0.32	0.70	2 5/16	3 1/32	2 1/4	2 1/8	2
591	0.44	0.80	2 5/16	3 1/32	2 1/4	2 1/8	2
592	0.44	1.00	2 1/2	1 1/8	2 1/4	2 1/8	2
592Y	0.44	0.90	2 1/2	1 1/8	2 1/4	2 1/8	2
596	0.44	1.00	2 1/2	1 1/8	2 1/4	2 1/8	2
598	0.66	1.50	2 15/16	1 5/8	2 1/4	2 1/8	2
598Y	1.00	1.40	2 15/16	1 5/8	2 1/4	2 1/8	2
599	0.95	1.60	2 15/16	1 5/8	2 1/4	2 1/8	2
599Y	0.95	1.65	2 15/16	1 5/8	2 1/4	2 1/8	2



Transformers

AC - Class 2

590 Series

Edwards 590 Series Class 2 Signaling Transformers are easy to install, low voltage power sources for residential, commercial, and industrial uses.

Mounts in a standard 1/2" (13mm) knockout or surface mounts using the provided foot mounts. These transformers are suitable for mounting in both plastic and metal back boxes. May also be used with the 593 transformer plate for enclosed mounting in a standard two gang outlet box.

The 591 transformer is suitable for standard doorbells and chimes in residential and commercial applications requiring 16 volts AC.

The Edwards 598, 598Y, 599 and 599Y transformers offer high power for long wire runs or for applications requiring greater power such as door openers.

Features and Specifications

- Non-regenerative thermal overload protection
- Grounding wire
- Pre-stripped primary side pigtails
- Screw terminal connections on secondary



Ordering Information		Secondary		
Description	Cat. No.	Primary Voltage ¹	Volts	VA
Class 2 Transformers	590	120V AC	10V AC	5
	590Y	240V AC	10V AC	5
	591	120V AC	16V AC	10
			8V AC	10
	592	120V AC	16V AC	10
			24V AC	20
			8V AC	10
	592Y	240V AC	16V AC	10
			24V AC	20
			6V AC	10
	596	120V AC	12V AC	15
			18V AC	15
			8V AC	20
	598	120V AC	16V AC	30
			24V AC	30
			8V AC	20
598Y	240V AC	16V AC	30	
		24V AC	30	
		24V AC	40	
599	120V AC	24V AC	40	
599Y	240V AC	24V AC	40	

¹AC voltage frequency is 50/60 Hz



Transformers

AC - Class 2

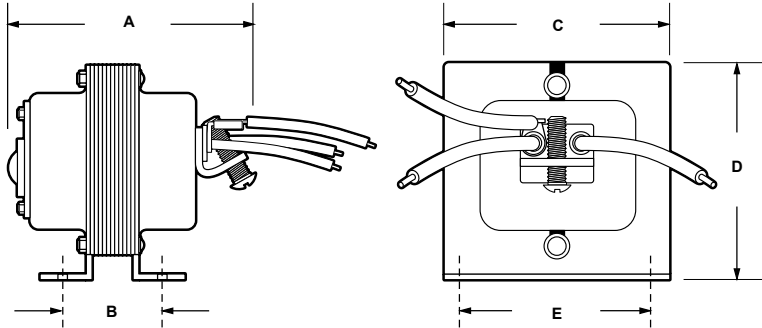
590 Series

Accessories

Description	Cat. No.
Transformer Mounting Plate	593

Weights and Dimensions

Cat. No.	Approx. Net Weight (lb.)	Approx. Shipping Weight (lb.)	Dimensions				
			A (in.)	B (in.)	C (in.)	D (in.)	E (in.)
590	0.32	0.70	2 5/16	3 1/32	2 1/4	2 1/8	2
590Y	0.32	0.70	2 5/16	3 1/32	2 1/4	2 1/8	2
591	0.44	0.80	2 5/16	3 1/32	2 1/4	2 1/8	2
592	0.44	1.00	2 1/2	1 1/8	2 1/4	2 1/8	2
592Y	0.44	0.90	2 1/2	1 1/8	2 1/4	2 1/8	2
596	0.44	1.00	2 1/2	1 1/8	2 1/4	2 1/8	2
598	0.66	1.50	2 15/16	1 5/8	2 1/4	2 1/8	2
598Y	1.00	1.40	2 15/16	1 5/8	2 1/4	2 1/8	2
599	0.95	1.60	2 15/16	1 5/8	2 1/4	2 1/8	2
599Y	0.95	1.65	2 15/16	1 5/8	2 1/4	2 1/8	2



Side View

Back View