

# LEE ELECTRIC INC

## TRANSFORMER 592 CLASS 2 SIGNALING TRANSFORMER

### FEATURES

NON-REGENERATIVE THERMAL OVERLOAD PROTECTION

GROUNDING WIRE

PRE STRIPPED PIG TAILS

SCREW TERMINAL CONNECTION ON SECONDARY

### DESCRIPTION

LEE ELECTRIC 592 CLASS 2 SIGNALING TRANSFORMER IS EASY TO INSTALL, LOW VOLTAGE POWER SOURCES FOR RESIDENTIAL, COMMERCIAL AND INDUSTRIAL USES

### AGENCY APPROVAL

UL

### SPECIFICATIONS

120 VOLT AC INPUT

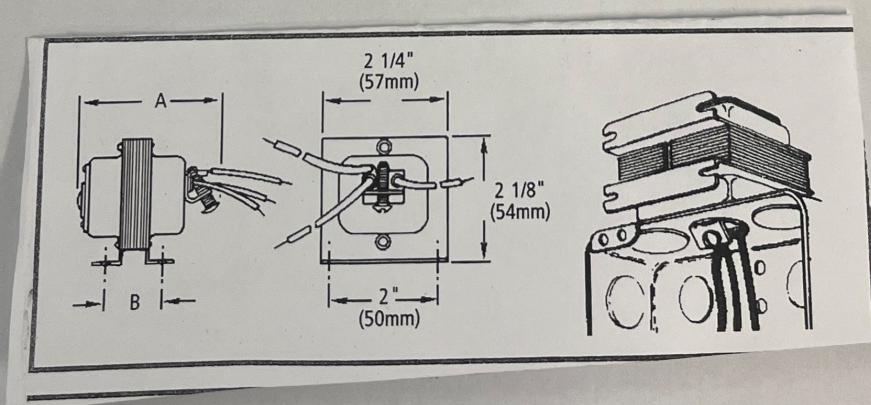
SECONDARY OUTPUT (8 VOLT AC 10 VA ; 16 VOLT AC 10 VA; 24 VOLT AC 20 VA)

### INSTALLATION

MOUNTS IN A STANDARD 1/2" KNOCKOUT OR SURFACE MOUNTS USING THE PROVIDE FOOT MOUNTS. THE TRANSFORMER IS SUITABLE FOR MOUNTING IN BOTH PLASTIC AND METAL BACK BOXES.

### APPLICATION

THE LEE ELECTRIC 592 TRANSFORMER ARE USED IN LIGHT DUTY APPLICATIONS. THEY ARE IDEAL FOR STANDARD DOORBELLS AND CHIMES IN RESIDENTIAL AND COMMERCIAL APPLICATIONS (NOTE...FOR HIGHER POWER REQUIREMENTS IT IS RECOMMENDED TO USE THE 598 TRANSFORMER WHICH OFFERS A SECONDARY OUTPUT OF 8 VOLT AC 20 VA; 16 VOLT AC & 24 VOLT AC 30 VA)



# LEE ELECTRIC INC

## TRANSFORMER 592 CLASS 2 SIGNALING TRANSFORMER

### FEATURES

NON-REGENERATIVE THERMAL OVERLOAD PROTECTION

GROUNDING WIRE

PRE STRIPPED PIG TAILS

SCREW TERMINAL CONNECTION ON SECONDARY

### DESCRIPTION

LEE ELECTRIC 592 CLASS 2 SIGNALING TRANSFORMER IS EASY TO INSTALL, LOW VOLTAGE POWER SOURCES FOR RESIDENTIAL, COMMERCIAL AND INDUSTRIAL USES

### AGENCY APPROVAL

UL

### SPECIFICATIONS

120 VOLT AC INPUT

SECONDARY OUTPUT (8 VOLT AC 10 VA ; 16 VOLT AC 10 VA; 24 VOLT AC 20 VA)

### INSTALLATION

MOUNTS IN A STANDARD 1/2" KNOCKOUT OR SURFACE MOUNTS USING THE PROVIDE FOOT MOUNTS. THE TRANSFORMER IS SUITABLE FOR MOUNTING IN BOTH PLASTIC AND METAL BACK BOXES.

### APPLICATION

THE LEE ELECTRIC 592 TRANSFORMER ARE USED IN LIGHT DUTY APPLICATIONS. THEY ARE IDEAL FOR STANDARD DOORBELLS AND CHIMES IN RESIDENTIAL AND COMMERCIAL APPLICATIONS (NOTE...FOR HIGHER POWER REQUIREMENTS IT IS RECOMMENDED TO USE THE 598 TRANSFORMER WHICH OFFERS A SECONDARY OUTPUT OF 8 VOLT AC 20 VA; 16 VOLT AC & 24 VOLT AC 30 VA)

